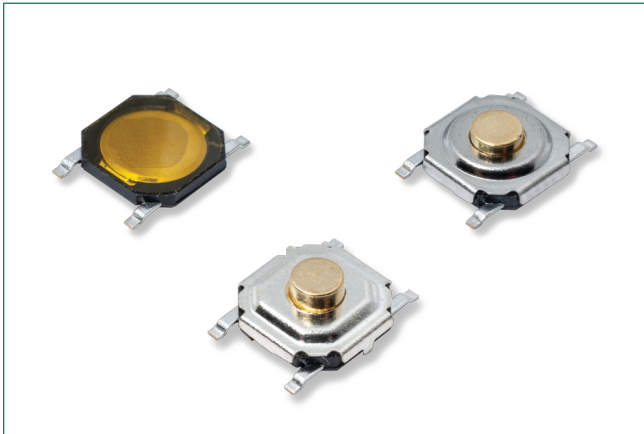


# PTS526 Series

## Microminiature SMT Top Actuated



### Description

The PTS526 series tactile switch is a small 5.2 x 5.2 mm form factor in SMT version with 4 different heights and 3 available actuation forces, ideal for general usage applications. PTS526 tactile switch also includes ground pin options.

### Features & Benefits

- 5.2 x 5.2 mm footprint
- Commercial grade
- Variable thickness

### Applications

- IoT devices
- Remote controls
- Home automation

### Specifications

<b>Function</b>	Momentary action
<b>Contact Arrangement</b>	1 make contact SPST NO
<b>Terminals</b>	J and G type for SMT
<b>Travel</b>	0.25 mm +/- 0.1 mm
<b>Packaging</b>	In reels of 5,000 pieces for 0.8 mm height. In reels of 4,000 pieces for 1.5 ; 1.7 and 2.0 mm height. Dimensions of reels according to EIA 481B. External diameter 330 mm.

### Electrical Characteristics

<b>Maximum Voltage</b>	12 VDC
<b>Maximum Current DC</b>	50 mA
<b>Dielectric Strength</b>	250 vA C (1mm)
<b>Contact Resistance</b>	≤ 100 mΩ initial
<b>Insulation Resistance</b>	≥ 100 MΩ
<b>Bounce Time</b>	≤ 10 ms

### Environmental Characteristics

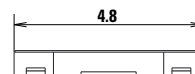
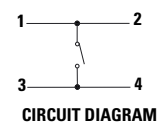
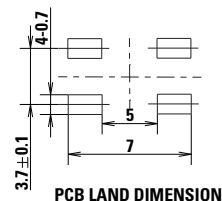
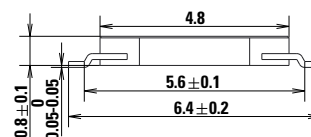
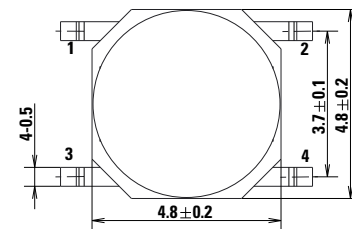
<b>Operating Temperature</b>	-40°C to 85°C
------------------------------	---------------

### Process

<b>Soldering</b>	This component is suited to the following methods: Infrared Reflow Soldering in accordance with IEC61760-1
------------------	---

### Dimensions (mm)

#### 0.8 mm Height – G Leads Lead Only, No Ground Pin

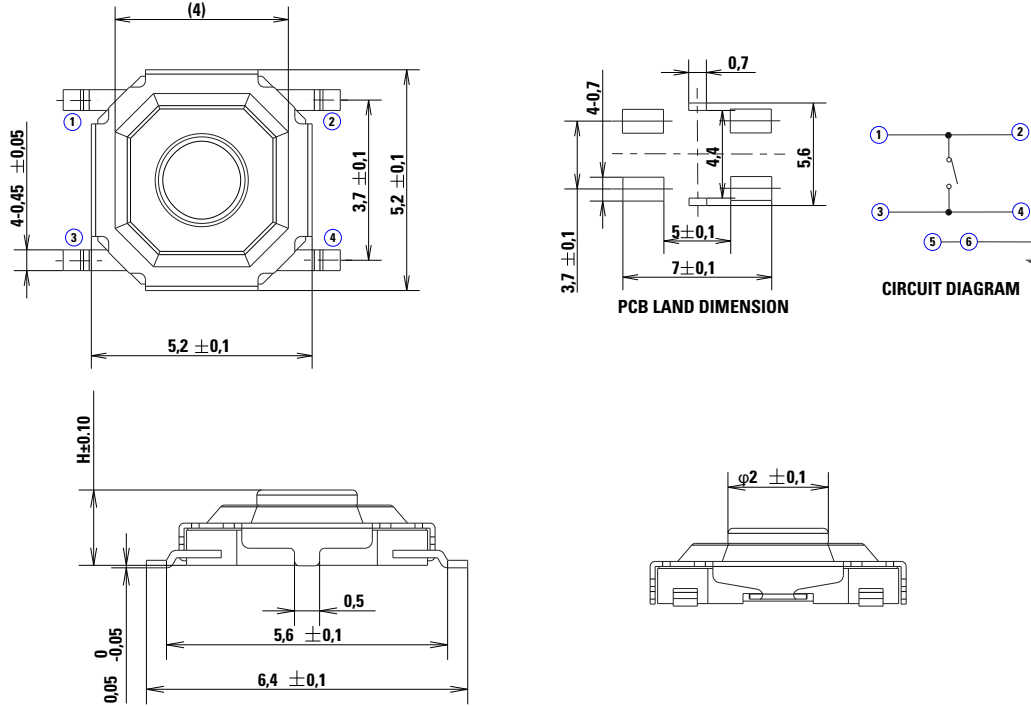


# PTS526 Series

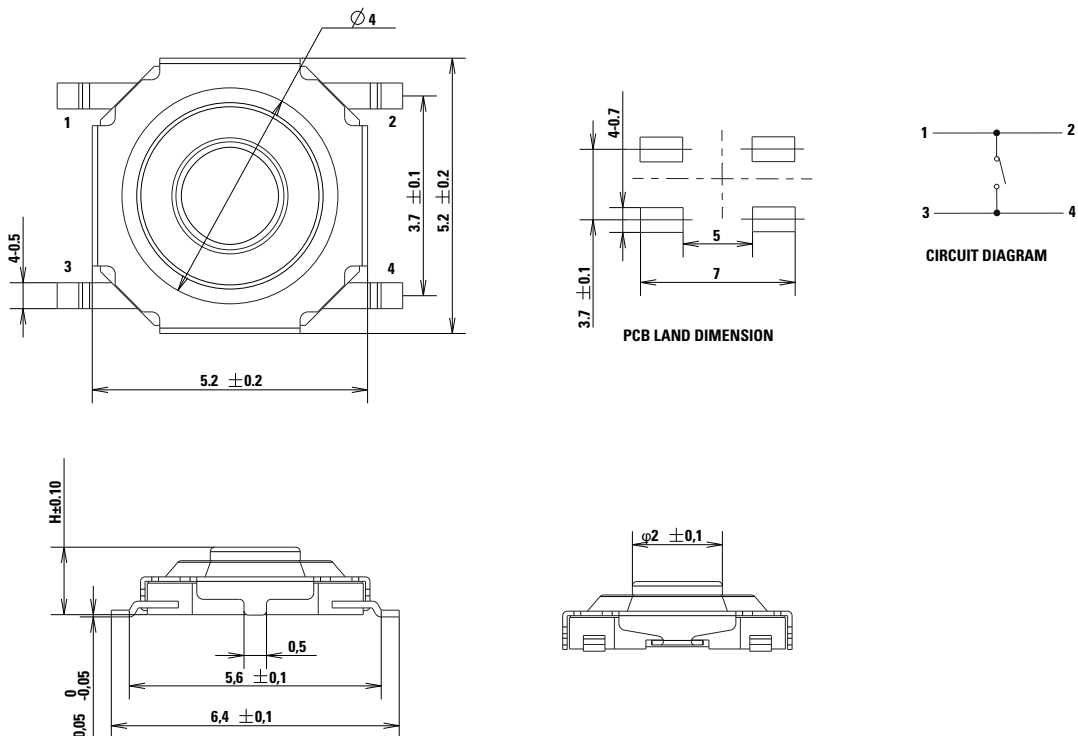
## Microminiature SMT Top Actuated



### 1.5 ; 1.7 and 2.0 mm Height – G Leads, with Ground Pin



### 1.5 ; 1.7 and 2.0 mm Height – G Leads, No Ground Pin



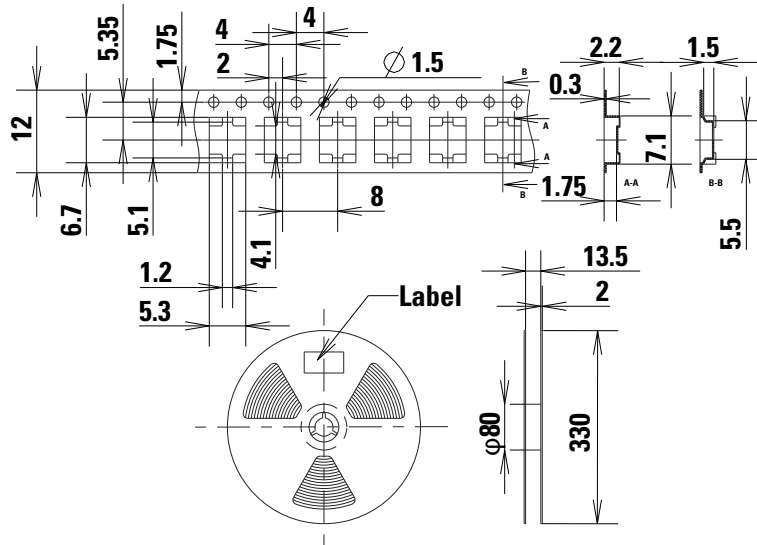


# PTS526 Series

## Microminiature SMT Top Actuated

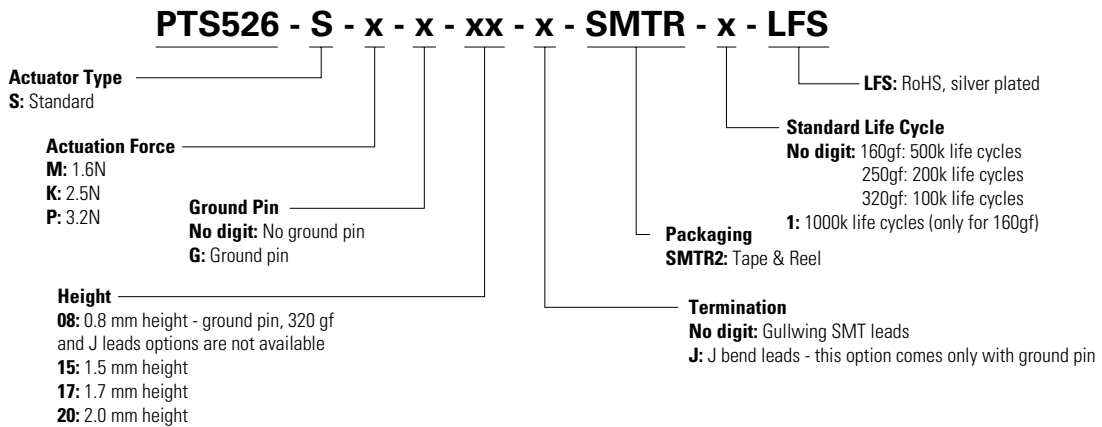


1.5; 1.7 and 2.0 mm Height  
4,000 Pieces per Reel



### Ordering Number

Our easy build-a-switch concept allows you to mix and match options to create the switch you need. To order, select desired option from each category and place it in the appropriate box. For any part number different from those listed above, please consult your local representative.



# PTS526 Series

## Microminiature SMT Top Actuated



### Mechanical Characteristics

Supply status	Littelfuse Orderable Part Number	Description	Contact & Terminals Plating	Terminals	Ground Pin	Operating Force Fa (Newton)	Operating Life (operations)	Electrical Travel (mm)	Product Height from PCB (mm)
✓	GSPTS004802	PTS526SK08SMTR2 LFS	Silver	Gull Wing SMT	No	2.50 ± 0.5	200,000	0.25 +/- 0.1	0.8
✓	GSPTS004904	PTS526SK15SMTR2 LFS	Silver	Gull Wing SMT	No	2.50 ± 0.5	200,000	0.25 +/- 0.1	1.5
✓	GSPTS004905	PTS526SK17SMTR2 LFS	Silver	Gull Wing SMT	No	2.50 ± 0.5	200,000	0.25 +/- 0.1	1.7
✓	GSPTS004906	PTS526SK20SMTR2 LFS	Silver	Gull Wing SMT	No	2.50 ± 0.5	200,000	0.25 +/- 0.1	2.0
✓	GSPTS005104	PTS526SKG15JSMTR2 LFS	Silver	J bend SMT	Yes	2.50 ± 0.5	200,000	0.25 +/- 0.1	1.5
✓	GSPTS005004	PTS526SKG15SMTR2 LFS	Silver	Gull Wing SMT	Yes	2.50 ± 0.5	200,000	0.25 +/- 0.1	1.5
✓	GSPTS005105	PTS526SKG17JSMTR2 LFS	Silver	J bend SMT	Yes	2.50 ± 0.5	200,000	0.25 +/- 0.1	1.7
✓	GSPTS005005	PTS526SKG17SMTR2 LFS	Silver	Gull Wing SMT	Yes	2.50 ± 0.5	200,000	0.25 +/- 0.1	1.7
✓	GSPTS005106	PTS526SKG20JSMTR2 LFS	Silver	J bend SMT	Yes	2.50 ± 0.5	200,000	0.25 +/- 0.1	2.0
✓	GSPTS005006	PTS526SKG20SMTR2 LFS	Silver	Gull Wing SMT	Yes	2.50 ± 0.5	200,000	0.25 +/- 0.1	2.0
✓	GSPTS004801	PTS526SM08SMTR2 LFS	Silver	Gull Wing SMT	No	1.60 ± 0.5	500,000	0.25 +/- 0.1	0.8
✓	GSPTS004901	PTS526SM15SMTR2 LFS	Silver	Gull Wing SMT	No	1.60 ± 0.5	500,000	0.25 +/- 0.1	1.5
✓	G01008829	PTS526SM15SMTR21 LFS	Silver	Gull Wing SMT	No	1.60 ± 0.5	1,000,000	0.25 +/- 0.1	1.5
✓	GSPTS004902	PTS526SM17SMTR2 LFS	Silver	Gull Wing SMT	No	1.60 ± 0.5	500,000	0.25 +/- 0.1	1.7
✓	G01008830	PTS526SM17SMTR21 LFS	Silver	Gull Wing SMT	No	1.60 ± 0.5	1,000,000	0.25 +/- 0.1	1.7
✓	GSPTS004903	PTS526SM20SMTR2 LFS	Silver	Gull Wing SMT	No	1.60 ± 0.5	500,000	0.25 +/- 0.1	2.0
✓	G01008832	PTS526SM20SMTR21 LFS	Silver	Gull Wing SMT	No	1.60 ± 0.5	1,000,000	0.25 +/- 0.1	2.0
✓	GSPTS005101	PTS526SMG15JSMTR2 LFS	Silver	J bend SMT	Yes	1.60 ± 0.5	500,000	0.25 +/- 0.1	1.5
✓	G01462286	PTS526SMG15JSMTR21 LFS	Silver	J bend SMT	Yes	1.60 ± 0.5	500,000	0.25 +/- 0.1	1.5
✓	GSPTS005001	PTS526SMG15SMTR2 LFS	Silver	Gull Wing SMT	Yes	1.60 ± 0.5	500,000	0.25 +/- 0.1	1.5
✓	G01113676	PTS526SMG15SMTR21 LFS	Silver	Gull Wing SMT	Yes	1.60 ± 0.5	1,000,000	0.25 +/- 0.1	1.5
✓	GSPTS005102	PTS526SMG17JSMTR2 LFS	Silver	J bend SMT	Yes	1.60 ± 0.5	500,000	0.25 +/- 0.1	1.7
✓	GSPTS005002	PTS526SMG17SMTR2 LFS	Silver	Gull Wing SMT	Yes	1.60 ± 0.5	500,000	0.25 +/- 0.1	1.7
✓	G01113677	PTS526SMG17SMTR21 LFS	Silver	Gull Wing SMT	Yes	1.60 ± 0.5	1,000,000	0.25 +/- 0.1	2.0
✓	GSPTS005103	PTS526SMG20JSMTR2 LFS	Silver	J bend SMT	Yes	1.60 ± 0.5	500,000	0.25 +/- 0.1	2.0
✓	GSPTS005003	PTS526SMG20SMTR2 LFS	Silver	Gull Wing SMT	Yes	1.60 ± 0.5	500,000	0.25 +/- 0.1	2.0
✓	G01113678	PTS526SMG20SMTR21 LFS	Silver	Gull Wing SMT	Yes	1.60 ± 0.5	1,000,000	0.25 +/- 0.1	2.0
✓	GSPTS004907	PTS526SP15SMTR2 LFS	Silver	Gull Wing SMT	No	3.20 ± 0.5	100,000	0.25 +/- 0.1	1.5
✓	GSPTS004908	PTS526SP17SMTR2 LFS	Silver	Gull Wing SMT	No	3.20 ± 0.5	100,000	0.25 +/- 0.1	1.7
✓	GSPTS004909	PTS526SP20SMTR2 LFS	Silver	Gull Wing SMT	No	3.20 ± 0.5	100,000	0.25 +/- 0.1	2.0
✓	GSPTS005107	PTS526SPG15JSMTR2 LFS	Silver	J bend SMT	Yes	3.20 ± 0.5	100,000	0.25 +/- 0.1	1.5
✓	GSPTS005007	PTS526SPG15SMTR2 LFS	Silver	Gull Wing SMT	Yes	3.20 ± 0.5	100,000	0.25 +/- 0.1	1.5
✓	GSPTS005108	PTS526SPG17JSMTR2 LFS	Silver	J bend SMT	Yes	3.20 ± 0.5	100,000	0.25 +/- 0.1	1.7
✓	GSPTS005008	PTS526SPG17SMTR2 LFS	Silver	Gull Wing SMT	Yes	3.20 ± 0.5	100,000	0.25 +/- 0.1	1.7
✓	GSPTS005109	PTS526SPG20JSMTR2 LFS	Silver	J bend SMT	Yes	3.20 ± 0.5	100,000	0.25 +/- 0.1	2.0
✓	GSPTS005009	PTS526SPG20SMTR2 LFS	Silver	Gull Wing SMT	Yes	3.20 ± 0.5	100,000	0.25 +/- 0.1	2.0

Notes: Supply status: ✓ : Available for ordering.

### Liability Limitation

This datasheet does not provide enough information for applications that require a certain level of quality or safety such as automotive, medical systems, or safety equipment. Please contact customer service for the contractual specification package.

**Disclaimer Notice** - Information furnished is believed to be accurate and reliable. However, users should independently evaluate the suitability of and test each product selected for their own applications. Littelfuse products are not designed for, and may not be used in, all applications. Read complete Disclaimer Notice at <http://www.littelfuse.com/disclaimer-electronics>.

## Looking for pricing, stock, or lifecycle information?

Click below to explore more details on WIN SOURCE:

- ⊖ [View PTS526SK17SMTR2 LFS on WIN SOURCE](#)
- ⊖ [C&K Components Information](#)

## Optimize Your Supply Chain with WIN SOURCE Solutions

- ✓ Global Sourcing Solution
- ✓ Obsolete Management
- ✓ Cost Control Management
- ✓ Shortage Management
- ✓ Alternative Solution
- ✓ Excess Inventory Management