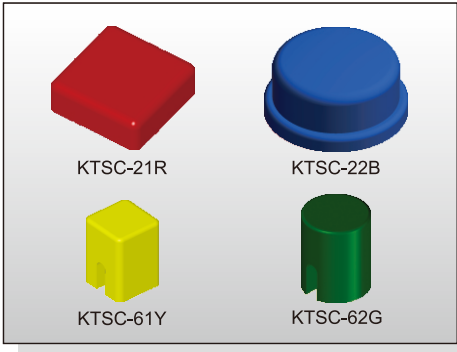


TACT SWITCH  
**KTSC-(6)(2) SERIES**

Cap for 6x6 / 12x12  
 Tact Switch



**HOW TO ORDER**

KTSC - [ ] [ ] [ ]

Prod. Size: <Tactile Switch>  
 2=12X12mm (Can be applied on DTS□-24)  
 6=6x6mm (Can be applied on DTS□-644)

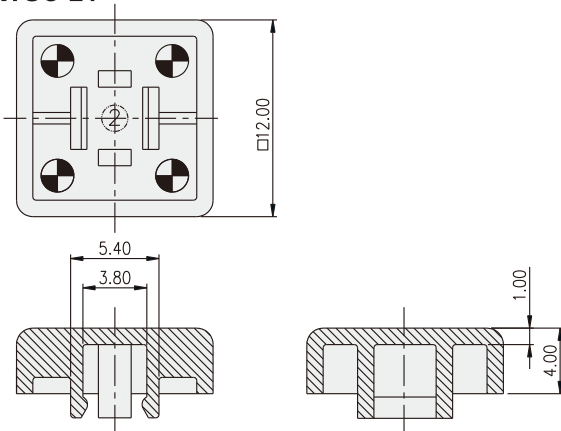
Cap Type:  
 1=Square  
 2=Round

Cap color:  
 Y=Yellow  
 B=Blue  
 R=Red  
 I=Ivory  
 K=Black  
 G=Green  
 S=Salmon  
 Ge=Gray

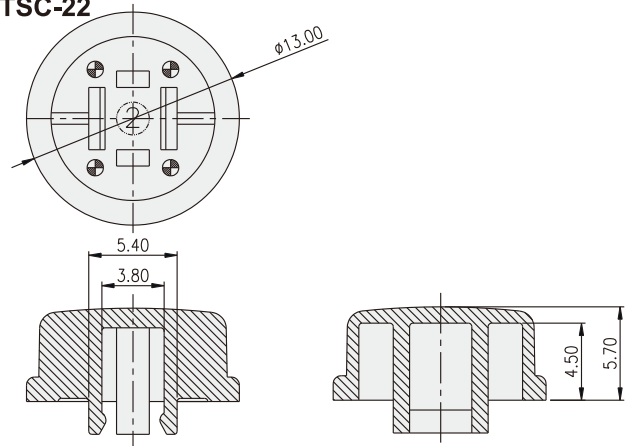
**PACKAGE**

<Bag>  
 KTSC-2: 500 pcs  
 KTSC-6: 1500 pcs

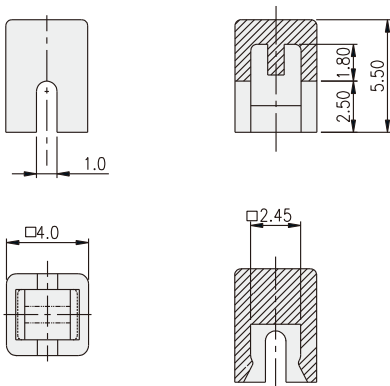
**KTSC-21**



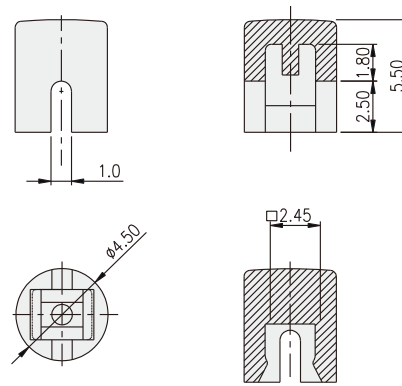
**KTSC-22**



**KTSC-61**





**KTSC-62**








## Looking for pricing, stock, or lifecycle information?

Click below to explore more details on WIN SOURCE:

-  [View KTSC-21K on WIN SOURCE](#)
-  [Diptronics Information](#)

## Optimize Your Supply Chain with WIN SOURCE Solutions

-  Global Sourcing Solution
-  Obsolete Management
-  Cost Control Management
-  Shortage Management
-  Alternative Solution
-  Excess Inventory Management