

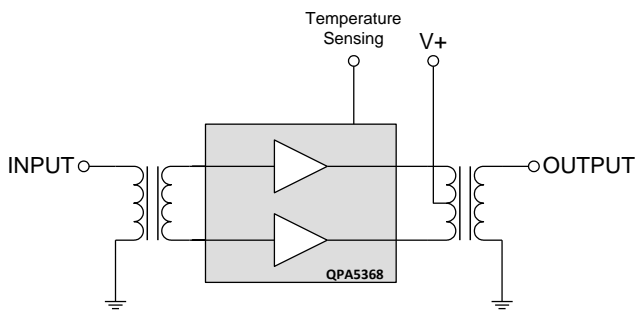
Product Description

The QPA5368 is an Integrated Reverse Amplifier Module. The part employs Silicon Bipolar die, has high output capability and is operated from 5 MHz to 300 MHz. It provides excellent linearity and superior return loss performance with low noise and optimal reliability.



20 pin, 11.0 mm x 8.5 mm x 1.375 mm package

Functional Block Diagram



Product Features

- Excellent Linearity
- Extremely High Output Capability
- Superior Return Loss Performance
- Extremely Low Distortion
- Optimal Reliability
- Low Noise
- Unconditionally Stable under all Terminations
- 35.6 dB Typical Gain at 300MHz
- 195 mA Typical at 12VDC
- Temperature Sensing Feature

Applications

- Head End Equipment
- 5–300 MHz 75 Ω Amplifier for Reverse Path Systems

Ordering Information

| Part No. | Description |
|-----------------|----------------------------------|
| QPA5368SB | Sample bag 5 pcs |
| QPA5368SR | 7" Reel with 100 pcs |
| QPA5368TR7 | 7" Reel with 500 pcs |
| QPA5368PCBA-410 | Fully assembled Evaluation Board |

Absolute Maximum Ratings

| Parameter | Value / Range |
|--|----------------|
| RF Input Voltage (single tone) | 65 dBmV |
| DC Supply over-voltage (5 minutes) | +14 V |
| Storage Temperature | -40 to 100 °C |
| Operating Mounting Base Temperature | -30 to 100 °C |
| Moisture Sensitivity Level IPC/JEDEC J-STD-20 | MSL 3 @ 260 °C |

Operation of this device outside the parameter ranges given above may cause permanent damage.

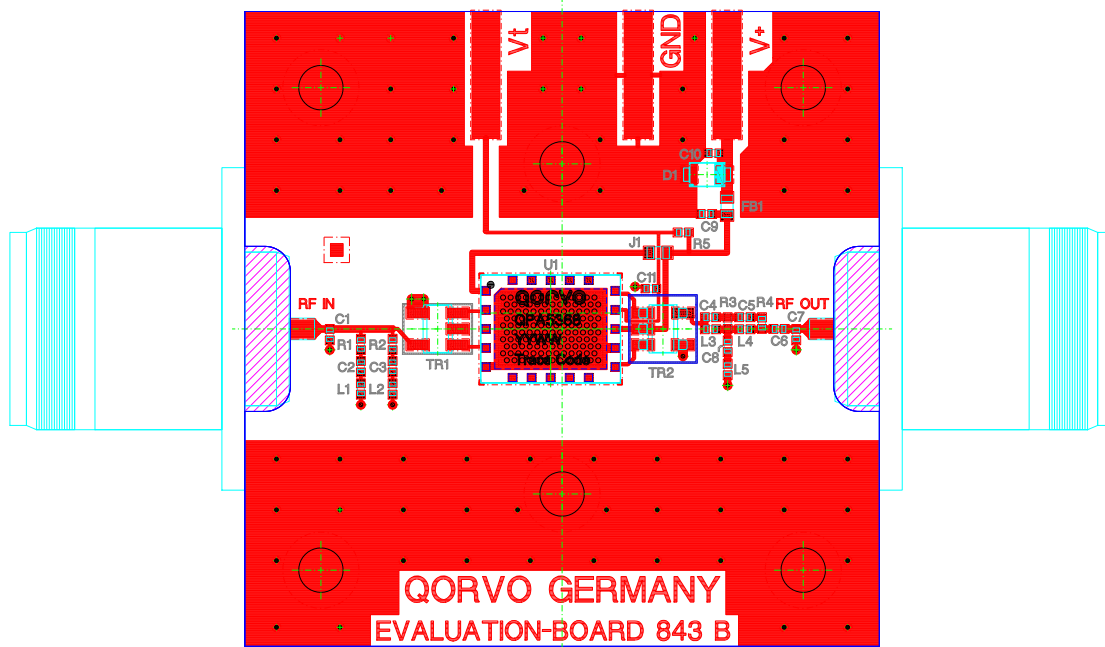
Electrical Specifications –

| Parameter | Conditions (V+=12V, TMB=30°C, ZS=ZL=75Ω) | Min | Typ | Max | Units |
|-----------------------------|---|------|------|------|-------|
| Operational Frequency Range | – | 5 | – | 300 | MHz |
| Current (I _{DD}) | – | 180 | 195 | 210 | mA |
| Gain | f _o = 5 MHz | | 35.3 | | dB |
| Gain | f _o = 300 MHz | 34.8 | 35.6 | 36.5 | |
| Gain Flatness | 5 to 300 MHz | – | | 1.0 | |
| Gain Slope | 5 to 300 MHz ^[1] | -0.2 | +0.3 | 1.0 | |
| Input Return Loss | f _o = 5 to 220 MHz | 20 | | – | dB |
| | f _o = 220 to 300 MHz | 18 | | – | |
| Output Return Loss | f _o = 5 to 220 MHz | 20 | | – | dB |
| | f _o = 220 to 300 MHz | 18 | | – | |
| Noise Figure | f _o = 300 MHz | – | 3.9 | 4.1 | dB |
| CTB | | | | -72 | dBc |
| XMOD | 7 ch flat; V _o = 50 dBmV ^[2] | | | -63 | dBc |
| CSO | | | | -75 | dBc |
| CTB | | | | -65 | dBc |
| XMOD | 28 ch flat; V _o = 46 dBmV ^[3] | | | -58 | dBc |
| CSO | | | | -70 | dBc |
| CTB | | | -62 | -59 | dBc |
| XMOD | 42 ch flat; V _o = 44 dBmV ^[4] | | -62 | -59 | dBc |
| CSO | | | -65 | -62 | dBc |
| OIP2 | V _o = 11 dBm ^[5] | | 70 | | dBm |
| OIP3 | V _o = 11 dBm ^[6] | | 44 | | dBm |
| Thermal Resistance | Junction to Mounting Base | | 25 | | K/W |

- The slope is defined as the difference between the gain at the start frequency and the gain at the stop frequency.
- 7 channels, NTSC frequency raster: T7-T13 (7.0MHz to 43.0MHz), +50dBmV flat output level.
- 28 channels, NTSC frequency raster: T7-T13 (7.0MHz to 43.0MHz), 2-6 (55.25MHz to 83.25MHz), A-11 (121.25MHz to 199.25MHz), +46dBmV flat output level.
- 42 channels, NTSC frequency raster: T7-T13 (7.0MHz to 43.0MHz), 2-6 (55.25MHz to 83.25MHz), A-W (121.25MHz to 295.25MHz), +44dBmV flat output level.
- 2-tone, 11dBm/tone, f1=99.0MHz, f2=100.0MHz, 1 MHz tone spacing, fm=199.0MHz (f1+f2)
- 2-tone, 11dBm/tone, f1=199.0MHz, f2=200.0MHz, 1 MHz tone spacing, fm=201.0MHz (2xf2-f1)

Composite Second Order (CSO) - The CSO parameter (both sum and difference products) is defined by ANSI/SCTE 6. Composite Triple Beat (CTB) The CTB parameter is defined by ANSI/SCTE 6. Cross Modulation (XMOD) - Cross modulation (XMOD) is measured at baseband (selective voltmeter method), referenced to 100% modulation of the carrier being tested. Carrier to Intermodulation Noise (CIN) - The CIN parameter is defined by ANSI/SCTE 17 (Test procedure for carrier to noise).

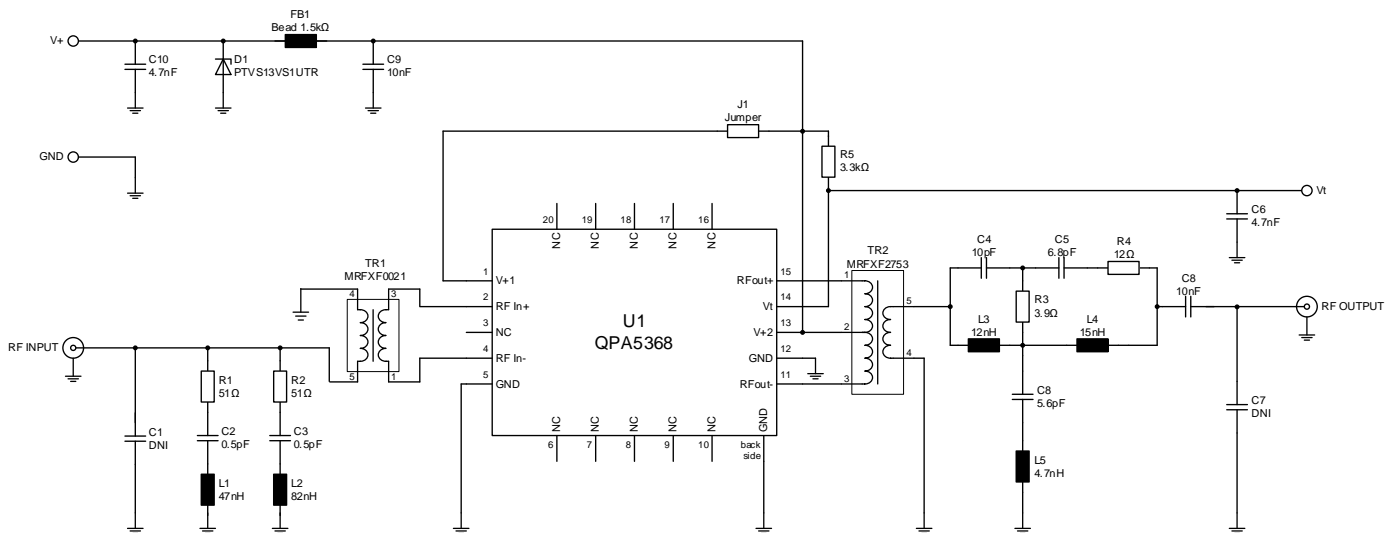
Evaluation Board Assembly Drawing



Evaluation board PCB: FR4, double sided, 1.5mm, 35um Cu

Vias are required under the backside paddle of this device for proper RF/DC grounding and thermal dissipation. A via drill diameter of 0.4mm and a minimum via wall copper plating thickness of 25um is recommended. Open vias are preferred to allow flux and gases to escape during reflow soldering and therefore to minimize voiding. Underneath this via array a heat sink with thermal grease needs to be placed which is able to dissipate the complete module DC power (up to 2.5 Watts). In any case the module backside temperature should not exceed 100 °C.

Evaluation Board Schematic

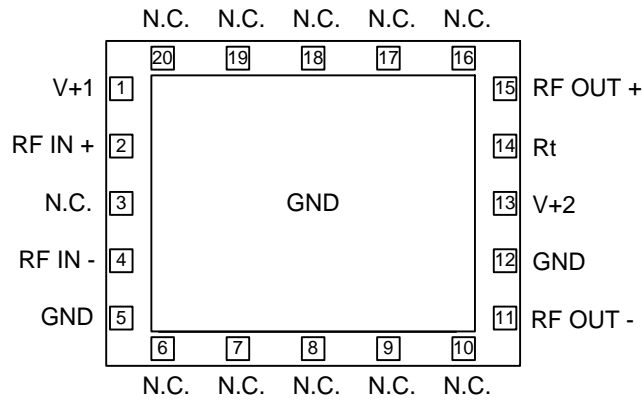


Evaluation Board Bill of Materials (BOM)

| Reference Des. | Value | Description | Manuf. | Part Number |
|----------------|----------------|---|------------|----------------|
| PCB | Rev A | PCB QPA5368 – EVB 843B | Qorvo | |
| C1, C7 | | DNI (optional to improve matching) | | |
| C2, C3 | 0.5 pF | CAP, 0402, ± 0.1 pF, 50V, COG | | |
| C4 | 10 pF | CAP, 0402, 5%, 50V, COG | | |
| C5 | 6.8 pF | CAP, 0402, 5%, 50V, COG | | |
| C6, C9 | 10 nF | CAP, 0402, 10%, 50V, X7R | | |
| C8 | 5.6 pF | CAP, 0402, ± 0.25 pF, 50V, COG | | |
| C10, C11 | 4.7 nF | CAP, 0402, 10%, 50V, X7R | | |
| R1, R2 | 51 Ω | RES, 0402, 1%, TK100 | | |
| R3 | 3.9 Ω | RES, 0402, 1%, TK100 | | |
| R4 | 12 Ω | RES, 0402, 1%, TK100 | | |
| R5 | 3.3 k Ω | RES, 0402, 1%, TK100 | | |
| J1 | 0 Ω | RES, 0603 | | |
| L1 | 47 nH | IND, 0402, 5% | | |
| L2 | 82 nH | IND, 0402, 5% | | |
| L3 | 12 nH | IND, 0402, 5% | | |
| L4 | 15 nH | IND, 0402, 5% | | |
| L5 | 4.7 nH | IND, 0402, ± 0.3 nH | | |
| FB1 | 1,5 k Ω | Impedance Bead, 0603, 1k5 @ 100MHz, LM, DCR 0.75 Ω , 250mA | TaiyoYuden | BK 1608 LM 152 |
| D1 | 13 V | Diode, TVS, PTVS13VS1UR, SOD123W | NXP | PTVS13VS1UR |
| TR1 | | Transformer 1:1 | Mini-RF | MRFXF0021 |
| TR1 | | Transformer 1:4 | Mini-RF | MRFXF2753 |
| U1 | DUT | QPA5368 | Qorvo | |

Notes:

Pin Configuration



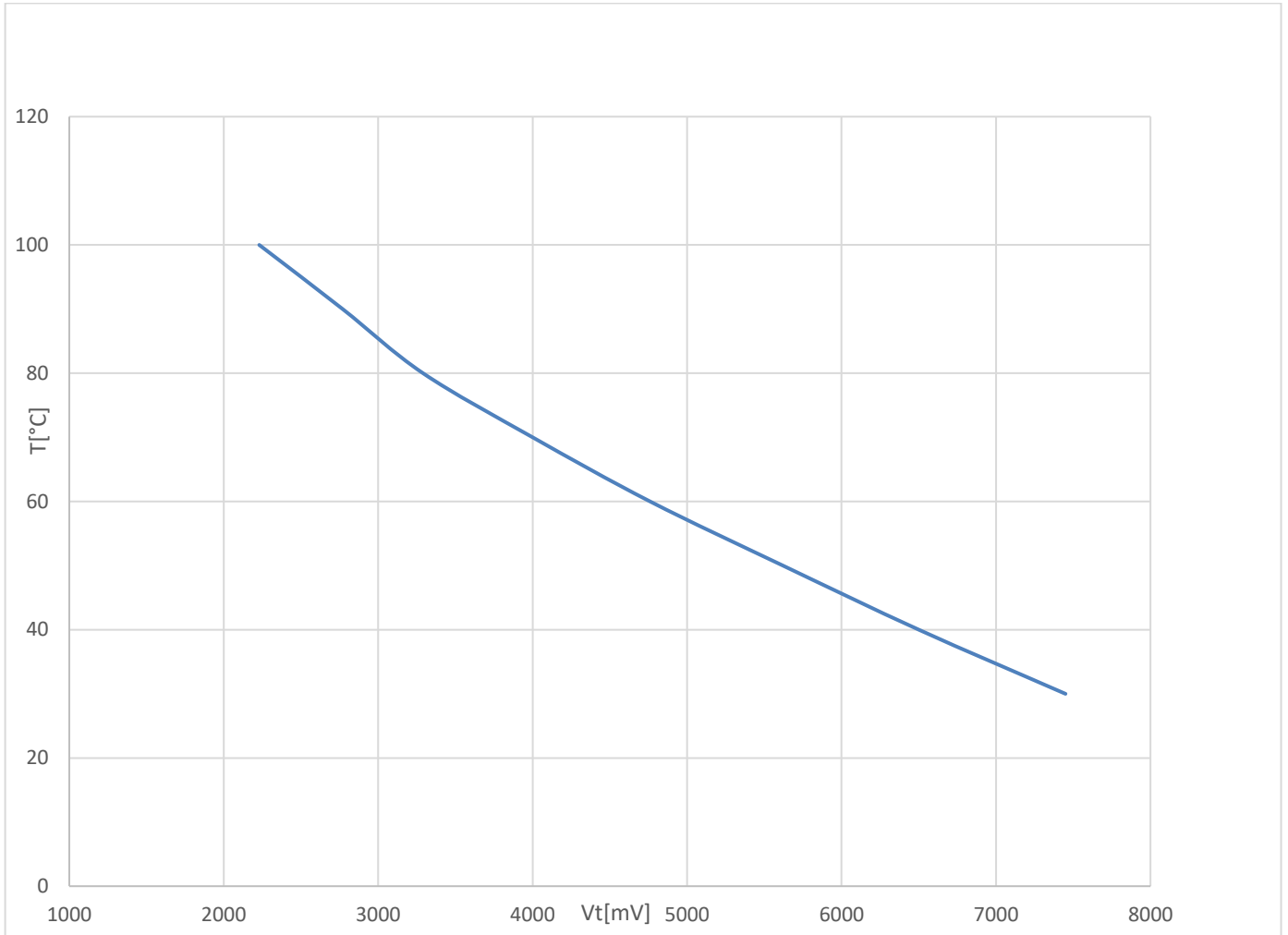
Pin Description

| Pin No. | Label | Description |
|---------|------------|------------------------------------|
| 1 | V+ 1 | Supply Voltage 12V |
| 2 | RF IN (+) | RF AMP Positive Input |
| 3 | N.C. | |
| 4 | RF IN (-) | RF AMP Negative Input |
| 5 | GND | RF/DC ground |
| 6 - 10 | N.C. | |
| 11 | RF OUT (-) | RF AMP Negative Output |
| 12 | GND | RF/DC ground |
| 13 | V+ 2 | Supply Voltage 12V |
| 14 | Rt | NTC Output for Temperature Sensing |
| 15 | RF OUT (+) | RF AMP Positive Output |
| 16-20 | N.C. | |

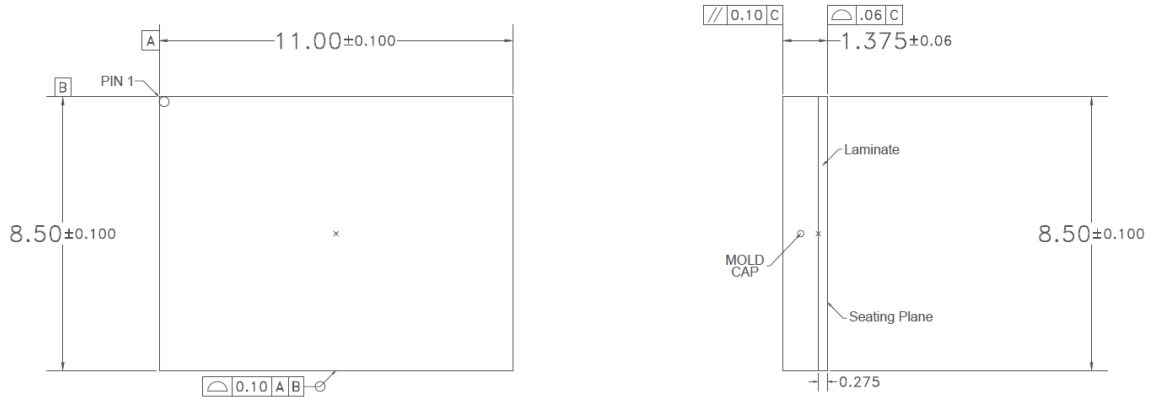
QPA5368 Temperature Sensing Feature

The QPA5368 provides an internal NTC resistor for temperature sensing. This resistor is located right next to the output transistor stage. Within the application circuit the NTC is part of a voltage divider. The output voltage of the voltage divider (V_t) can be correlated to the module backside temperature.

Module Backside Temperature versus V_t (typical values)



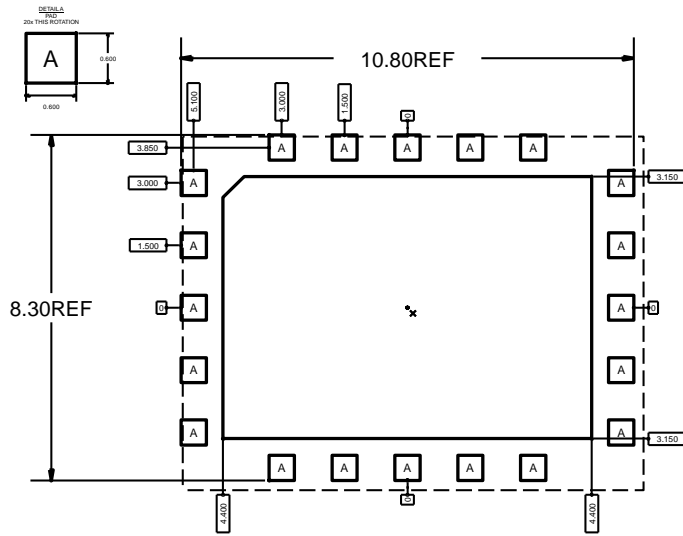
Package Outline Drawing (Dimensions in millimeters)



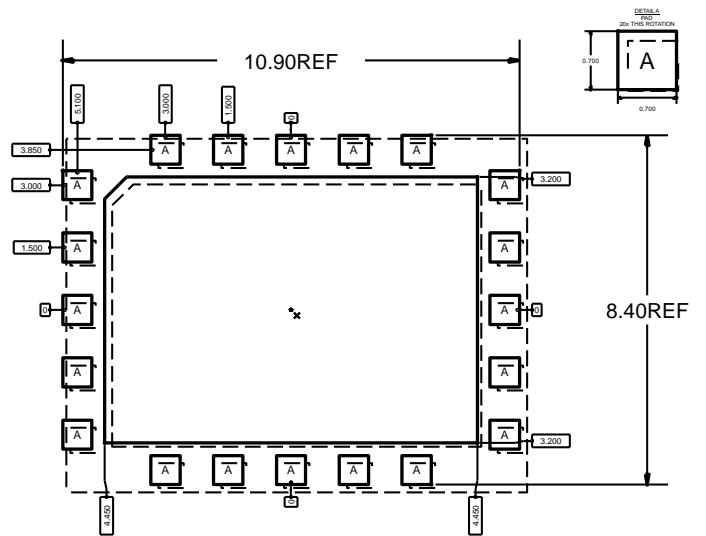
Notes:

1. Dimension and tolerance formats conform to ASME Y14.5M-1994.
2. The terminal #1 identifier and terminal numbering conform to JESD 95-1 SPP-012.
3. Co-planarity applies to the exposed ground/thermal pad as well as the contact pins.
4. Package body length/width does not include plastic flash protrusion across mold parting line.

PCB Metal Land Pattern



RECOMMENDED LAND PATTERN



RECOMMENDED LAND PATTERN MASK

Notes:

1. All dimensions are in millimeters. Angles are in degrees.

Handling Precautions

| Parameter | Rating | Standard |
|----------------------------------|----------|----------------------------|
| ESD – Human Body Model (HBM) | Class 1B | ANSI/ESD/JEDEC JS-001-2012 |
| ESD – Charged Device Model (CDM) | Class C3 | JEDEC JESD22-C101F |
| MSL – Moisture Sensitivity Level | Level 3 | IPC/JEDEC J-STD-020 |



Caution!
ESD-Sensitive Device

Solderability

Compatible with both lead-free (260°C max. reflow temp.) and tin/lead (245°C max. reflow temp.) soldering processes. Solder profiles available upon request.

Contact plating: ENEPIG

RoHS Compliance

This part is compliant with 2011/65/EU RoHS directive (Restrictions on the Use of Certain Hazardous Substances in Electrical and Electronic Equipment) as amended by Directive 2015/863/EU.

This product also has the following attributes:

- Halogen Free (Chlorine, Bromine)
- Antimony Free
- TBBP-A (C₁₅H₁₂Br₄O₂) Free
- PFOS Free
- SVHC Free

Contact Information

For the latest specifications, additional product information, worldwide sales and distribution locations:

Web: www.qorvo.com

Tel: 1-844-890-8163

Email: customer.support@qorvo.com

Important Notice

The information contained herein is believed to be reliable; however, Qorvo makes no warranties regarding the information contained herein and assumes no responsibility or liability whatsoever for the use of the information contained herein. All information contained herein is subject to change without notice. Customers should obtain and verify the latest relevant information before placing orders for Qorvo products. The information contained herein or any use of such information does not grant, explicitly or implicitly, to any party any patent rights, licenses, or any other intellectual property rights, whether with regard to such information itself or anything described by such information. **THIS INFORMATION DOES NOT CONSTITUTE A WARRANTY WITH RESPECT TO THE PRODUCTS DESCRIBED HEREIN, AND QORVO HEREBY DISCLAIMS ANY AND ALL WARRANTIES WITH RESPECT TO SUCH PRODUCTS WHETHER EXPRESS OR IMPLIED BY LAW, COURSE OF DEALING, COURSE OF PERFORMANCE, USAGE OF TRADE OR OTHERWISE, INCLUDING THE IMPLIED WARRANTIES OF MERCHANTABILITY AND FITNESS FOR A PARTICULAR PURPOSE.**

Without limiting the generality of the foregoing, Qorvo products are not warranted or authorized for use as critical components in medical, life-saving, or life-sustaining applications, or other applications where a failure would reasonably be expected to cause severe personal injury or death.

Copyright 2016 © Qorvo, Inc. | Qorvo is a registered trademark of Qorvo, Inc.

Looking for pricing, stock, or lifecycle information?

Click below to explore more details on WIN SOURCE:

 [View QPA5368TR7 on WIN SOURCE](#)

 [Qorvo US Inc. Information](#)

Optimize Your Supply Chain with WIN SOURCE Solutions

-  Global Sourcing Solution
-  Obsolete Management
-  Cost Control Management
-  Shortage Management
-  Alternative Solution
-  Excess Inventory Management