

A3M40PD012

Airfast Pre-driver Module

Rev. 0 — April 2021

Data Sheet: Technical Data

The A3M40PD012 is a wideband low power amplifier module designed for cellular infrastructure applications.

- Typical Performance: $V_{CC} = 3.3 \text{ Vdc}$, $P_{in} = -20 \text{ dBm}$

Frequency	G_{ps} (dB)	I_{CC} (mA)
2300 MHz	37.2	110
2600 MHz	36.8	110
3500 MHz	34.0	90
4100 MHz	33.0	85

A3M40PD012

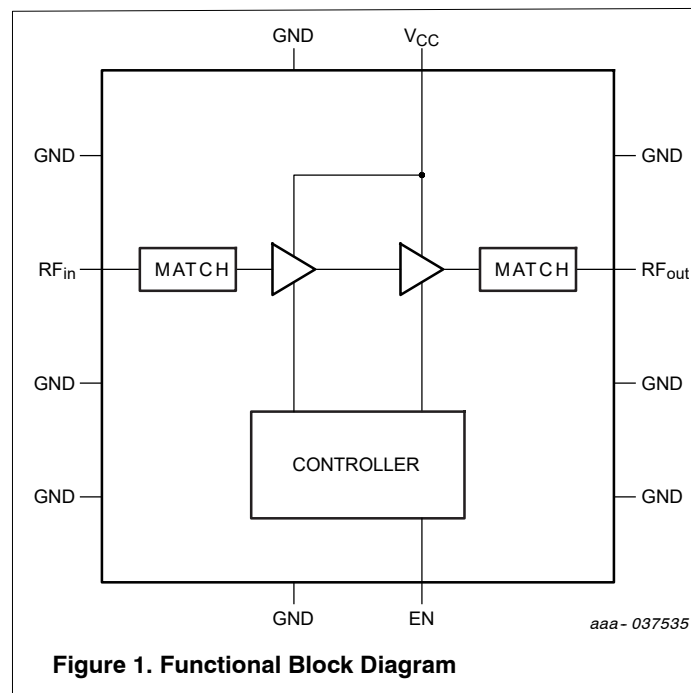
**2300–4200 MHz, 37 dB, 25 dBm
AIRFAST PRE-DRIVER MODULE**



2.2 mm × 2.2 mm Module

Features

- Frequency: 2300–4200 MHz
- 3.3 V supply
- P1dB: 25 dBm across the frequency band
- Power consumption: 330 mW
- Fully matched (50 ohm input/output, DC blocked)
- Compact 2.2 mm × 2.2 mm LGA package



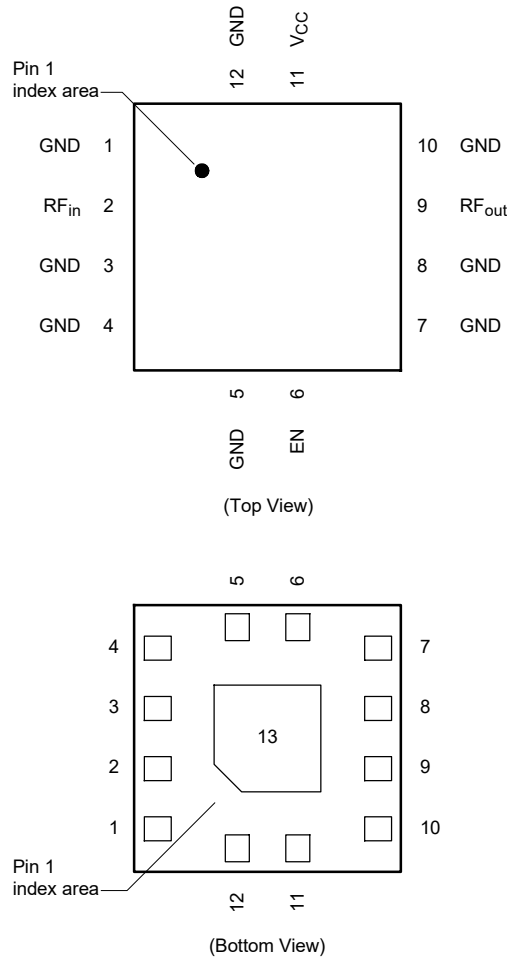


Figure 2. Pin Connections

Table 1. Functional Pin Description

Pin Number	Pin Function	Pin Description
1, 3, 4, 5, 7, 8, 10, 12	GND	Ground
2	RF _{in}	RF Input
6	EN	Bias Enable/Disable
9	RF _{out}	RF Output
11	V _{CC}	Supply Voltage

Table 2. Maximum Ratings

Rating	Symbol	Value	Unit
Supply Voltage	V_{CC}	3.6	V
Supply Current	I_{CC}	300	mA
RF Input Power	P_{in}	25	dBm
Storage Temperature Range	T_{stg}	-65 to +150	°C
Case Operating Temperature	T_C	125	°C

Table 3. ESD Protection Characteristics

Test Methodology	Class
Human Body Model (per JS-001-2017)	2
Charge Device Model (per JS-002-2014)	C2a

Table 4. Moisture Sensitivity Level

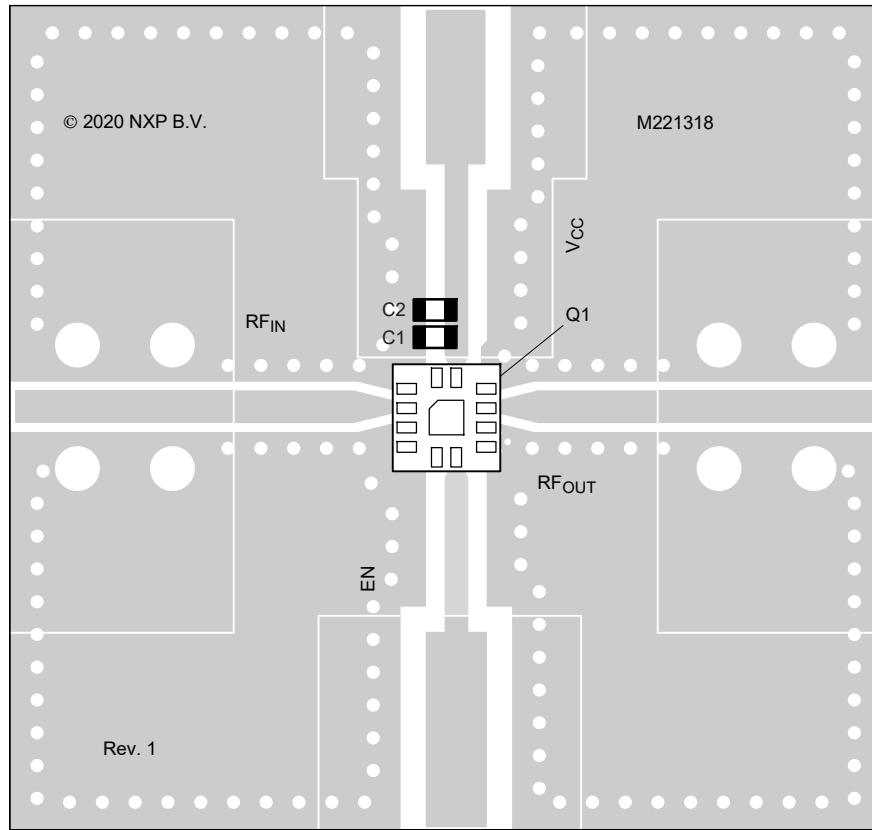
Test Methodology	Rating	Package Peak Temperature	Unit
Per JESD22-A113, IPC/JEDEC J-STD-020	3	260	°C

Table 5. Electrical Characteristics ($V_{CC} = 3.3$ Vdc, 3500 MHz, $T_A = 25^\circ\text{C}$, 50 ohm system, in NXP Application Circuit)

Characteristic	Symbol	Min	Typ	Max	Unit
Small-Signal Gain (S21)	G_p	30.0	34.0	—	dB
Input Return Loss (S11)	IRL	—	20	—	dB
Output Return Loss (S22)	ORL	—	16	—	dB
Power Output @ 1dB Compression	P1dB	—	25	—	dBm
Quiescent Supply Current	I_{CQ}	—	65	—	mA
Supply Current	I_{CC}	—	90	—	mA

Table 6. Ordering Information

Device	Tape and Reel Information	Package
A3M40PD012T7	T7 Suffix = 3,000 Units, 12 mm Tape Width, 7-inch Reel	2.2 mm × 2.2 mm Module



aaa-037544

Figure 3. A3M40PD012 Application Circuit Component Layout

Table 7. A3M40PD012 Application Circuit Component Designations and Values

Part	Description	Part Number	Manufacturer
C1	1 nF Chip Capacitor	GRM155R61H102KA01	Murata
C2	4.7 μ F Chip Capacitor	GRM188R60J475KE19	Murata
Q1	Pre-driver Module	A3M40PD012	NXP
PCB	Rogers RO4350B, 0.01", $\epsilon_r = 3.66$	M221318	MTL

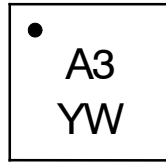
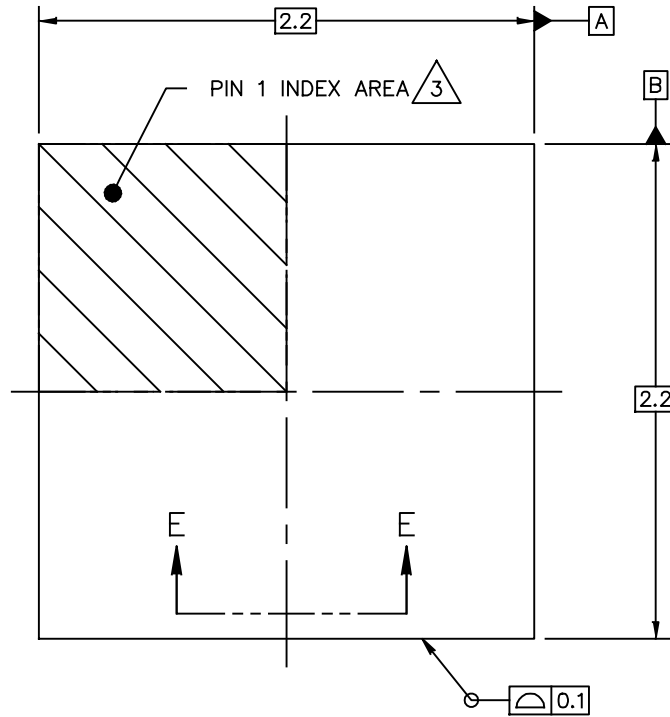


Figure 4. Product Marking

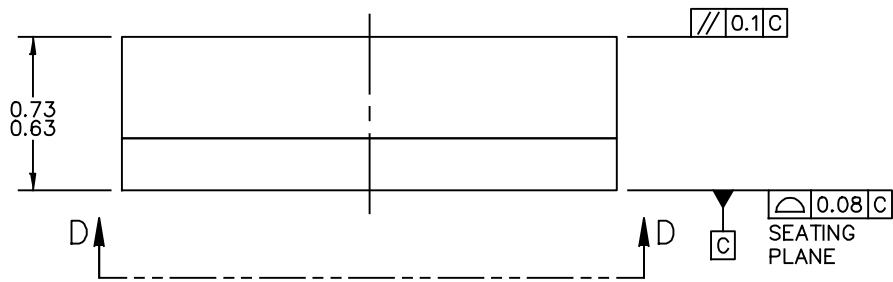
Package Information

H-FC-PLGA-13 I/O
2.2 X 2.2 X 0.68 PKG, 0.5 PITCH

SOT2008-1



TOP VIEW



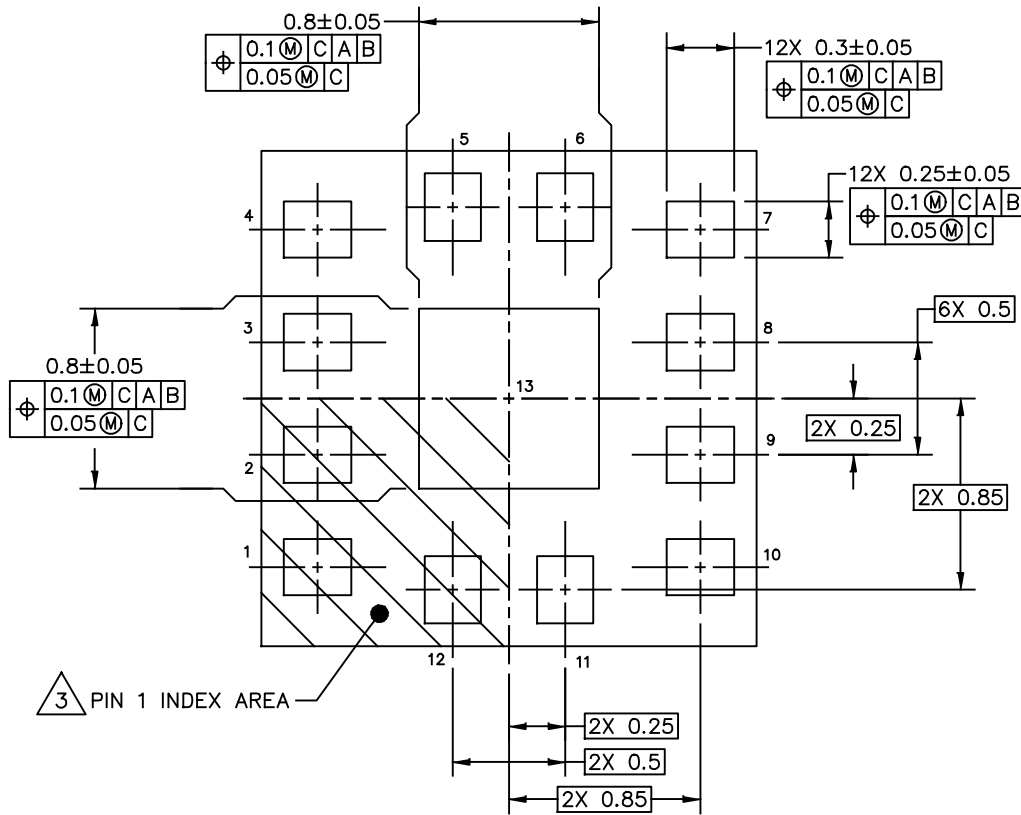
© NXP B.V. ALL RIGHTS RESERVED

DATE: 05 FEB 2020

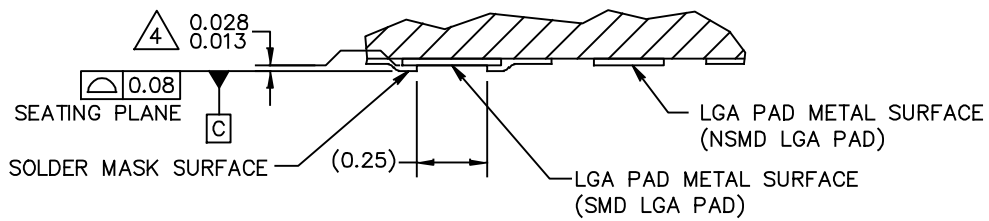
MECHANICAL OUTLINE PRINT VERSION NOT TO SCALE	STANDARD: NON-JEDEC	DRAWING NUMBER: 98ASA01395D	REVISION: B	PAGE: 1 OF 6
--	------------------------	--------------------------------	----------------	-----------------

H-FC-PLGA-13 I/O
2.2 X 2.2 X 0.68 PKG, 0.5 PITCH

SOT2008-1



VIEW D-D
(BOTTOM VIEW)



SECTION E-E $\triangle 5$

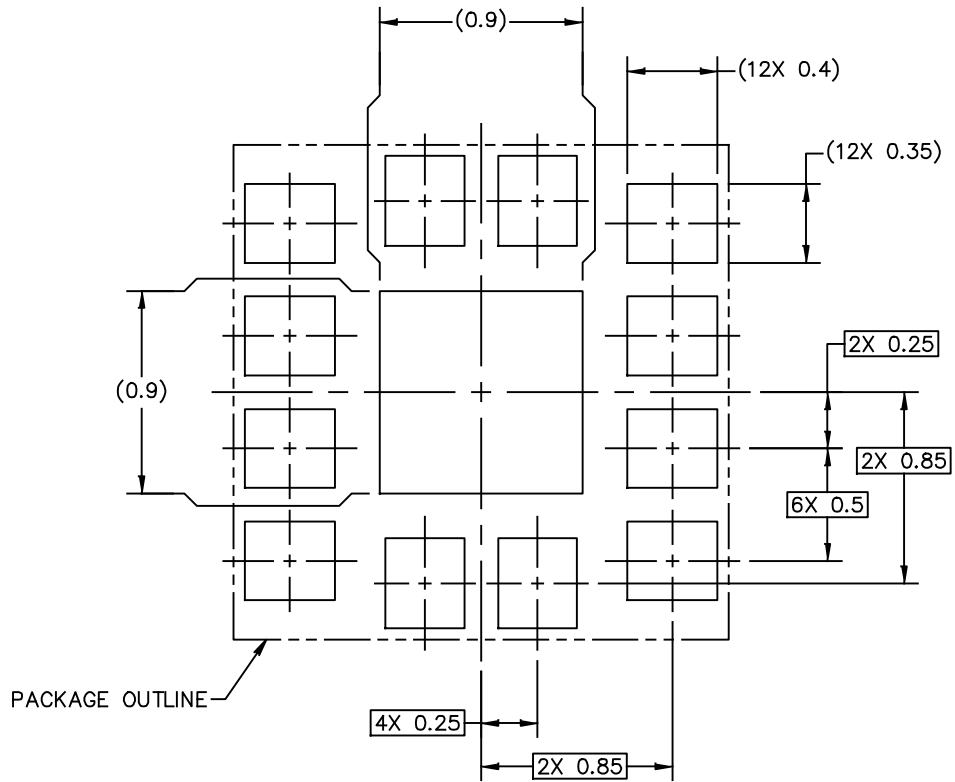
© NXP B.V. ALL RIGHTS RESERVED

DATE: 05 FEB 2020

MECHANICAL OUTLINE PRINT VERSION NOT TO SCALE	STANDARD: NON-JEDEC	DRAWING NUMBER: 98ASA01395D	REVISION: B	PAGE: 2
--	------------------------	--------------------------------	----------------	------------

H-FC-PLGA-13 I/O
 2.2 X 2.2 X 0.68 PKG, 0.5 PITCH

SOT2008-1



PCB DESIGN GUIDELINES – SOLDER MASK OPENING PATTERN

THIS SHEET SERVES ONLY AS A GUIDELINE TO HELP DEVELOP A USER SPECIFIC SOLUTION. DEVELOPMENT EFFORT WILL STILL BE REQUIRED BY END USERS TO OPTIMIZE PCB MOUNTING PROCESSES AND BOARD DESIGN IN ORDER TO MEET INDIVIDUAL/SPECIFIC REQUIREMENTS.

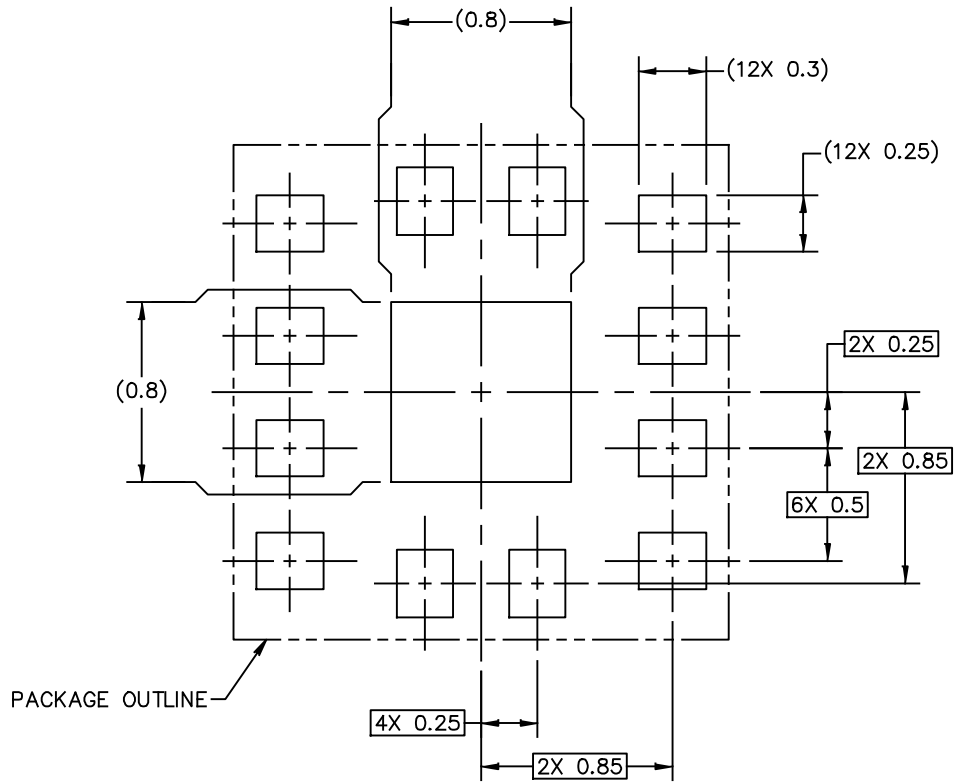
© NXP B.V. ALL RIGHTS RESERVED

DATE: 05 FEB 2020

MECHANICAL OUTLINE PRINT VERSION NOT TO SCALE	STANDARD: NON-JEDEC	DRAWING NUMBER: 98ASA01395D	REVISION: B	PAGE: 3
--	------------------------	--------------------------------	----------------	------------

H-FC-PLGA-13 I/O
 2.2 X 2.2 X 0.68 PKG, 0.5 PITCH

SOT2008-1



PCB DESIGN GUIDELINES – I/O PADS AND SOLDERABLE AREAS

THIS SHEET SERVES ONLY AS A GUIDELINE TO HELP DEVELOP A USER SPECIFIC SOLUTION. DEVELOPMENT EFFORT WILL STILL BE REQUIRED BY END USERS TO OPTIMIZE PCB MOUNTING PROCESSES AND BOARD DESIGN IN ORDER TO MEET INDIVIDUAL/SPECIFIC REQUIREMENTS.

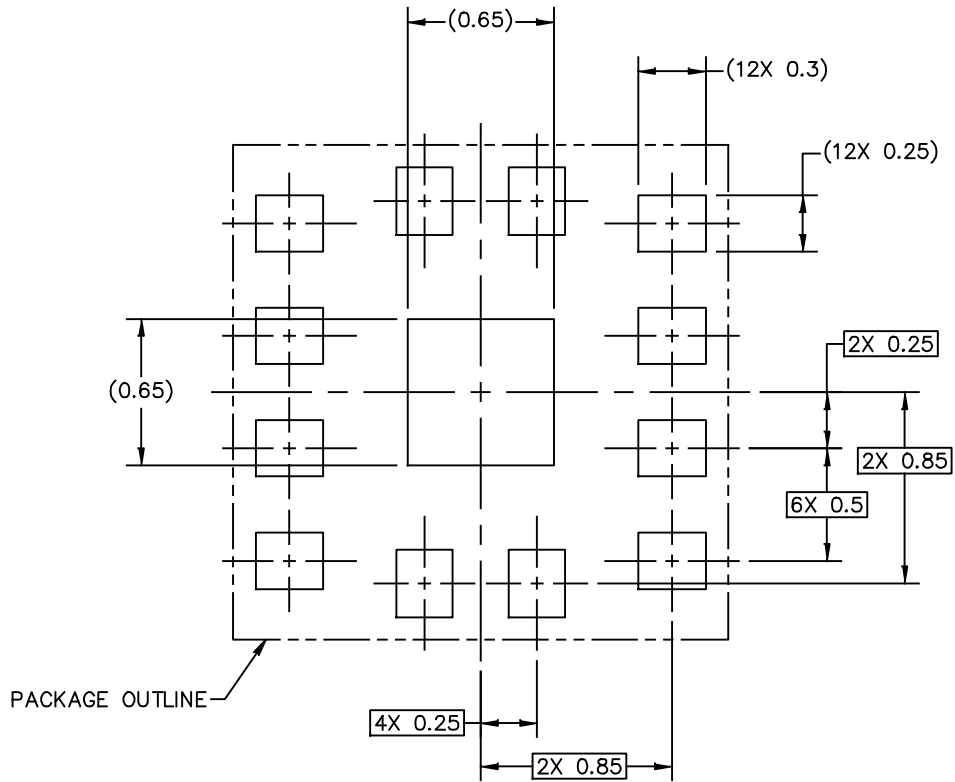
© NXP B.V. ALL RIGHTS RESERVED

DATE: 05 FEB 2020

MECHANICAL OUTLINE PRINT VERSION NOT TO SCALE	STANDARD: NON-JEDEC	DRAWING NUMBER: 98ASA01395D	REVISION: B	PAGE: 4
--	------------------------	--------------------------------	----------------	------------

H-FC-PLGA-13 I/O
 2.2 X 2.2 X 0.68 PKG, 0.5 PITCH

SOT2008-1



RECOMMENDED STENCIL THICKNESS 0.1

PCB DESIGN GUIDELINES – SOLDER PASTE STENCIL

THIS SHEET SERVES ONLY AS A GUIDELINE TO HELP DEVELOP A USER SPECIFIC SOLUTION. DEVELOPMENT EFFORT WILL STILL BE REQUIRED BY END USERS TO OPTIMIZE PCB MOUNTING PROCESSES AND BOARD DESIGN IN ORDER TO MEET INDIVIDUAL/SPECIFIC REQUIREMENTS.

© NXP B.V. ALL RIGHTS RESERVED

DATE: 05 FEB 2020

MECHANICAL OUTLINE PRINT VERSION NOT TO SCALE	STANDARD: NON-JEDEC	DRAWING NUMBER: 98ASA01395D	REVISION: B	PAGE: 5
--	------------------------	--------------------------------	----------------	------------

H-FC-PLGA-13 I/O
 2.2 X 2.2 X 0.68 PKG, 0.5 PITCH

SOT2008-1

NOTES:

1. ALL DIMENSIONS IN MILLIMETERS.
2. DIMENSIONING AND TOLERANCING PER ASME Y14.5M-1994.

3. PIN 1 FEATURE SHAPE, SIZE AND LOCATION MAY VARY.

4. DIMENSION APPLIES TO ALL LEADS AND FLAG.

5. THE BOTTOM VIEW SHOWS THE SOLDERABLE AREA OF THE PADS. THE CENTER PAD (PIN 13) IS SOLDER MASK DEFINED. SOME PERIPHERAL PADS ARE SOLDER MASK DEFINED (SMD) AND OTHERS ARE NON-SOLDER MASK DEFINED (NSMD).

© NXP B.V. ALL RIGHTS RESERVED

DATE: 05 FEB 2020

MECHANICAL OUTLINE PRINT VERSION NOT TO SCALE	STANDARD: NON-JEDEC	DRAWING NUMBER: 98ASA01395D	REVISION: B	PAGE: 6
--	------------------------	--------------------------------	----------------	------------

Product Tools

Refer to the following resource to aid your design process.

Development Tools

- Printed Circuit Boards

Failure Analysis

At this time, because of the physical characteristics of the part, failure analysis is limited to electrical signature analysis. In cases where NXP is contractually obligated to perform failure analysis (FA) services, full FA may be performed by third party vendors with moderate success. For updates contact your local NXP Sales Office.

Revision History

The following table summarizes revisions to this document.

Revision	Date	Description
0	Apr. 2021	<ul style="list-style-type: none">• Initial release of data sheet

How to Reach Us

Home Page:
nxp.com

Web Support:
nxp.com/support

Information in this document is provided solely to enable system and software implementers to use NXP products. There are no express or implied copyright licenses granted hereunder to design or fabricate any integrated circuits based on the information in this document. NXP reserves the right to make changes without further notice to any products herein.

NXP makes no warranty, representation, or guarantee regarding the suitability of its products for any particular purpose, nor does NXP assume any liability arising out of the application or use of any product or circuit, and specifically disclaims any and all liability, including without limitation consequential or incidental damages. "Typical" parameters that may be provided in NXP data sheets and/or specifications can and do vary in different applications, and actual performance may vary over time. All operating parameters, including "typicals," must be validated for each customer application by customer's technical experts. NXP does not convey any license under its patent rights nor the rights of others. NXP sells products pursuant to standard terms and conditions of sale, which can be found at the following address: nxp.com/SalesTermsandConditions.

NXP, the NXP logo and Airfast are trademarks of NXP B.V. All other product or service names are the property of their respective owners.

© NXP B.V. 2021

All rights reserved.

For more information, please visit: <http://www.nxp.com>

For sales office addresses, please send an email to: salesaddresses@nxp.com

Date of release: April 2021
Document identifier: A3M40PD012

Looking for pricing, stock, or lifecycle information?

Click below to explore more details on WIN SOURCE:

 [View A3M40PD012T7 on WIN SOURCE](#)

 [NXP / Nexperia Information](#)

Optimize Your Supply Chain with WIN SOURCE Solutions

-  Global Sourcing Solution
-  Obsolete Management
-  Cost Control Management
-  Shortage Management
-  Alternative Solution
-  Excess Inventory Management