

POWER RELAY 1 POLE - 16A, 80A INRUSH TYPE

FTR-K1 Series

RoHS Compliant

■ FEATURES

- Peak 80A inrush current (1 form A type)
- Low profile (height: 15.7mm)
- High insulation
- Insulation distance (between coil and contacts): 10mm minimum, dielectric strength: 5,000V, surge strength: 10,000V
- Class F coil wire
- Low coil power (400mW)
- Glow wire compliant type available which satisfies GWT required for relay in IEC/EN 60335-1
- Cadmium free contacts
- Safety standards: UL, CSA, VDE, CQC approved
UL, CSA TV-5 rating approved (make contact)
- Flux proof, RTII
- RoHS compliant



■ APPLICATIONS

Heater control, home appliances, lighting equipment etc.

■ PART NUMBERS

[Example] FTR-K1 A K 012 I - BG - GW
(a) (b) (c) (d) (e) (f) (g)

(a)	Relay type	FTR-K1 series
(b)	Contact configuration	A : 1a (1 Form A, SPST-NO) C : 1c (1 Form C, SPDT)
(c)	Coil type	K : Standard type (400mW)
(d)	Coil rated voltage	012 : 5...110VDC ¹ Please refer to coil rating table
(e)	Contact material / TV type	T : AgSnO ₂ (1a, TV-5 contact) W : AgSnO ₂ (1c, TV-5 contact) (make contact only)
(f)	Special type	Nil : Standard type (without gold plate) BG : Gold plated contact
(g)	Option	GW Comply with GWEPT (IEC/EN 60695-2-11)

Actual marking does not carry the type name: "FTR" and option: "BG" E.g.: Ordering code: FTR-K1CK012W Actual marking: K1CK012W

*1: 110V coil is not for new design.

■ SPECIFICATIONS

Item		Specifications		Remarks/Conditions	
		FTR-K1AK()T	FTR-K1CK()W		
Contact Data	Configuration	1a (1 Form A)	1c (1 Form C)		
	Construction	Single			
	Material	AgSnO ₂			
	Resistance	Max. 100mΩ		Initial at 1A, 6VDC	
	Contact rating	16A, 250VAC/24VDC		Resistive	
	Max. carrying current	20A			
	Max. inrush current	80A, 250VAC			
	Max. switching voltage	440VAC/300VDC			
	Max. switching power	4,000VA/384W			
	Min. switching load *1	100mA, 5VDC			
Coil	Rated power (20°C)	400 to 430mW			
	Operate power (20°C)	196 to 211mW			
	Operating temperature range	-40°C to +85°C		No frost	
Time	Operate	Max. 15ms		Without bounce	
	Release	Max. 5ms		Without bounce, no diode	
Life	Mechanical	Min. 20 x 10 ⁶ operations			
	Electrical	AC contact rating	Min. 100 x 10 ³ ops.	Min. 50 x 10 ³ ops.	
		DC contact rating	Min. 100 x 10 ³ ops.	Min. 30 x 10 ³ ops.	
		Peak inrush	Min. 10 x 10 ³ ops. (only make contact)		At 85°C, VDE#0435 (80A 250VAC)
Lamp (UL TV-5)		Min. 25 x 10 ³ ops.	Min. 25 x 10 ³ ops. (only make contact)		
Insulation	Insulation resistance	Min. 1000MΩ		At 500VDC	
	Dielectric withstanding strength	Open contacts	1,000VAC (50/60Hz), 1 minute		
		Coil to contacts	5,000VAC (50/60Hz), 1 minute		
	Surge strength	Coil to contacts	10,000V / 1.2 x 50μs standard wave		
	Clearance / creepage		10mm / 10mm		
	EN61810-1, VDE0435	Voltage	250V		
		Pollution degree	3		
Material group		IIIa			
Category		C / 250 (reference voltage) (VDE0110b)			
Others	Vibration resistance	Misoperation≥1μs	10 to 55 to 10Hz single amplitude 0.35mm	Coil ON/OFF, 3 axis, total 6 cycles	
		Endurance	10 to 55 to 10Hz single amplitude 0.75mm	Coil OFF, 3 axis, total 6 hours	
	Shock resistance	Misoperation≥1μs	Min. 100m/s ² (11±1ms)		Coil ON/OFF, 3 axis, total 36 operations
		Endurance	Min. 1,000m/s ² (6±1ms)		Coil OFF, 3 axis, total 18 operations
	Dimensions / Weight		12.7 x 29.0 x 15.7 mm / approx. 13g		
	Sealing		Flux proof, RTII		

Need to consider the heat from PCB when max. current is more than 10A.

*1: Minimum switching loads mentioned above are reference values. Please perform the confirmation test with actual load before production since reference values may vary according to switching frequencies, environmental conditions and expected reliability levels.

■ COIL DATA

Coil Code	Rated Coil Voltage (VDC)	Coil Resistance $\pm 10\%$ (Ω)	Must Operate Voltage* ¹ (VDC)	Must Release Voltage* ¹ (VDC)	Rated Power (mW)
005	5	62	3.5	0.5	400
006	6	90	4.2	0.6	
009	9	202	6.3	0.9	
012	12	360	8.4	1.2	
018	18	810	12.6	1.8	
022	22	1,210	15.4	2.2	
024	24	1,440	16.8	2.4	
028	28	1,960	19.6	2.8	
048	48	5,360	33.6	4.8	430
060	60	8,570	42.0	6.0	420
110* ²	110* ²	28,800	77.0	11.0	

Note: All values in the table are valid for 20°C and zero contact current unless otherwise specified.

*1: Specified operated values are valid for pulse voltage.

*2: 110V coil is not for new design.

Note: Please use at rated coil voltage. Please refer to characteristic data and set up adequate voltage in case of use at over voltage.

■ PART NUMBER LIST

Part Number	Contact Configuration	Rated Power	Contact Material	UL TV Rating	Others
FTR-K1AK()T	1a (1 Form A)	Standard (Approx. 400 to 430mW)	AgSnO ₂	TV-5	-
FTR-K1AK()T-GW					Comply with GWEPT
FTR-K1AK()T-BG			AgSnO ₂ +Au plate		-
FTR-K1AK()T-BG-GW					Comply with GWEPT
FTR-K1CK()W	1c (1 Form C)	Standard (Approx. 400 to 430mW)	AgSnO ₂	TV-5 (N.O.)	-
FTR-K1CK()W-GW					Comply with GWEPT
FTR-K1CK()W-BG			AgSnO ₂ +Au plate		-
FTR-K1CK()W-BG-GW					Comply with GWEPT

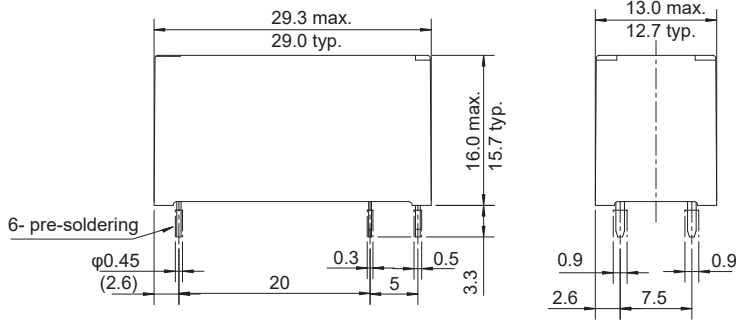
■ SAFETY STANDARDS

Type	Compliance	Contact Rating	
		1a	1c
UL	Flammability: UL 94-V-0 (plastics)		
	UL508 File No. E63614	FTR-K1AK () T(-GW) 16A, 24VDC (resistive) 16A, 277VAC (resistive) 20A, 277VAC (resistive) 1 hp 277VAC, 1/2hp 125VAC TV-5, 120VAC 25,000 cycles Pilot duty: A300	FTR-K1CK () W(-GW) 16A, 277VAC/24VDC (resistive) 20A, 277VAC (resistive) 1 hp 277VAC, 1/2hp 125VAC 1/8 hp, 125VAC TV-5, 250VAC, 25,000 cycles (make contact) Pilot duty: B300
CSA	C22.2 No. 14 File No. LR40304		FTR-K1CK () W(-GW) 16A, 277VAC/24VDC (resistive) 20A, 277VAC (resistive) 1hp 277VAC, 1/2hp 125VAC 1/8hp 125VAC TV-5, 120VAC (make contact) Pilot duty: B300
VDE	IEC/EN61810-1 EN60065 clause 14.6.1 (1a only) EN60335-1 clause 15.3; 16.3; 29.1; 29.2; 29.3 EN60730-1 clause 12.2; 13.2; 20.1; 20.2; 20.3	FTR-K1AK () T(-GW) 16A, 250VAC ($\cos\phi=1$), 85°C 3.5A, 250VAC ($\cos\phi=0.4$), 85°C 16A, 24VDC (0ms), 85°C 5A/80A, 250VAC 10,000 times, 85°C	FTR-K1CK () W(-GW) 16A, 250VAC ($\cos\phi=1$), 85°C 3.5A, 250VAC ($\cos\phi=0.4$), 85°C 16A, 24VDC (0ms), 85°C
CQC	GB/T21711.1 GB15092.1 File No. 12002083788	FTR-K1AK () T 12A, 240VAC 72LRA/12FLA 240VAC	FTR-K1CK () W 16A, 250VAC

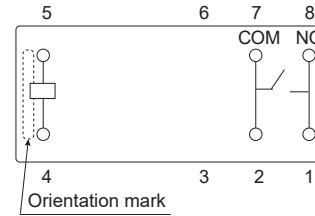
■ DIMENSIONS

FTR-K1AK()T

Dimensions

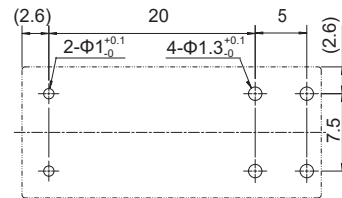


Schematics (BOTTOM VIEW)



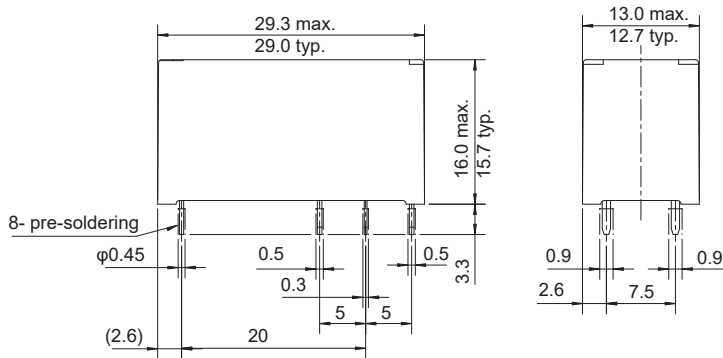
Connect terminal #1 and #8 on the PC board

PC board mounting hole layout (BOTTOM VIEW)

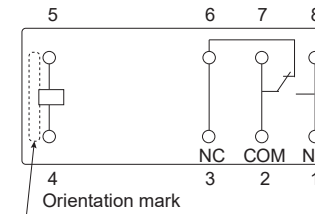


FTR-K1CK()W

Dimensions

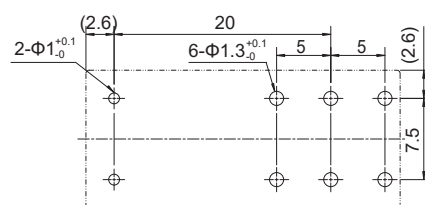


Schematics (BOTTOM VIEW)



Connect terminal #1 and #8 on the PC board

PC board mounting hole layout (BOTTOM VIEW)

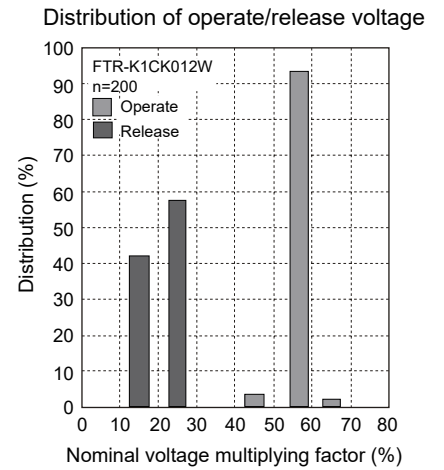
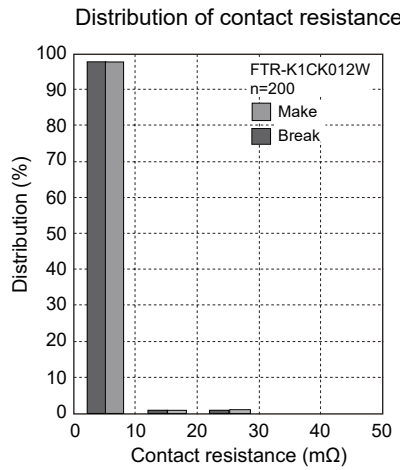
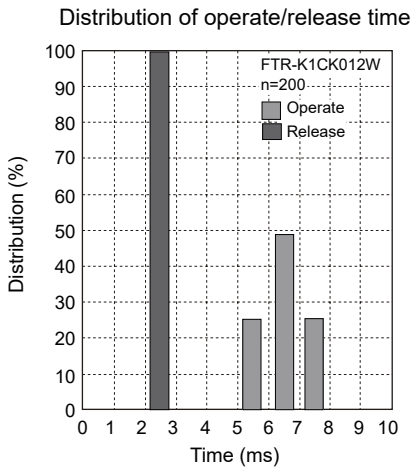
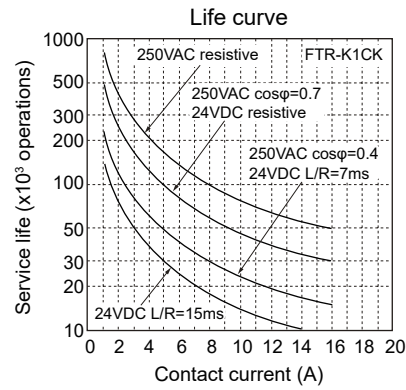
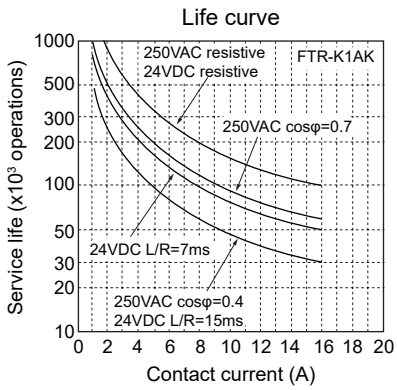
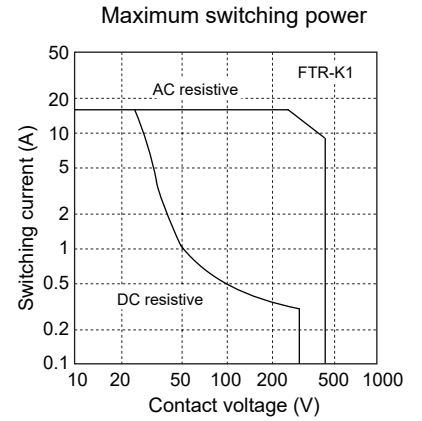
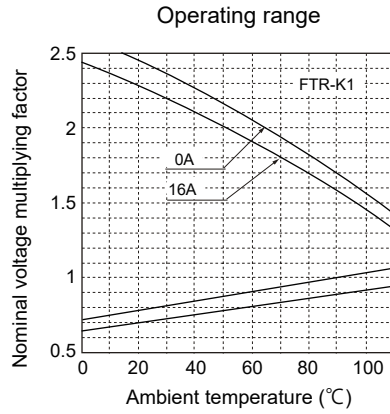
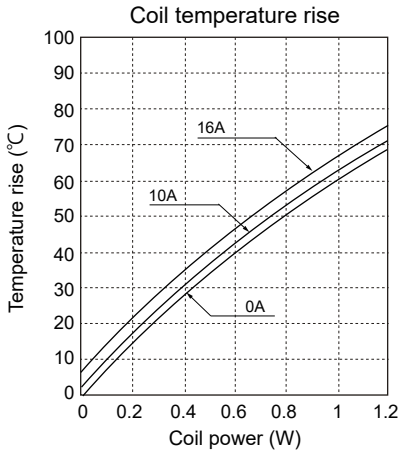


Dimensions of the terminals do not include thickness of pre-soldering.
Tolerance of PC board mounting hole layout : ± 0.1 unless otherwise specified.

Unit: mm
(): Reference value

CHARACTERISTIC DATA

(Characteristic data is not guaranteed value but measured values of samples from production line.)



CAUTIONS

- All values mentioned in this datasheet are provided under ideal conditions. Please perform the confirmation test before actual use.
- Reflow soldering is prohibited.
- Do not use relays in the atmosphere with sulfide gas, chloride gas or nitric oxide. Contact resistance may increase.
- Do not use silicon or silicon-containing product or materials near relays. It may cause contact failure.

GENERAL INFORMATION

1. ROHS Compliance

- All relays produced by FCL Components are compliant with RoHS directive 2011/65/EU, including commission delegated directive 2015/863.

2. Recommended lead free solder condition

- Lead free solder plating on relay terminals is Sn-3.0Ag-0.5Cu, unless otherwise specified. This material has been verified to be compatible with PbSn assembly process.
- Recommended solder for assembly: Sn-3.0Ag-0.5Cu.

Flow Solder Condition:

Pre-Heating: Maximum 120°C within 90 sec.

Soldering: Dip within 5 sec. at 255°C±5°C solder bath

Relay must be cooled by air immediately after soldering

Solder by Soldering Iron:

Soldering Iron: 30-60W

Temperature: Maximum 340-360°C

Duration: Maximum 3 sec.

We highly recommend that you confirm your actual solder conditions

3. Moisture Sensitivity

- Moisture Sensitivity Level standard is not applicable to electromechanical relays, unless otherwise indicated.

4. Tin Whiskers

- Dipped SnAgCu solder is known as presenting a low risk to tin whisker development. No considerable length whisker was found by our in house test.

Contact

Japan

FCL COMPONENTS LIMITED
Shinagawa Seaside Park Tower
12-4, Higashi-shinagawa 4-chome,
Tokyo 140 0002, Japan
Tel: +81-3-3450-1682
Email: fcl-contact@cs.fcl-components.com

North and South America

FCL COMPONENTS AMERICA, INC.
2055 Gateway Place Suite 480,
San Jose, CA 95110 USA
Tel: +1-408-745-4900
Email: contact@fcl-components.us

Europe

FCL COMPONENTS EUROPE B.V.
Diamantlaan 25
2132 WV Hoofddorp, Netherlands
Tel: +31-23-556-0910
Email: info@fcl-components.eu

Asia Pacific

FCL COMPONENTS ASIA PTE LTD.
No. 20 Harbour Drive, #07-01B
Singapore 117612
Tel: +65-6375-8560
Email: fcals@fcl-components.com

China

FCL COMPONENTS (SHANGHAI) CO.,LTD.
Unit 1105, Central Park - Jing An,
No.329 Heng Feng Road, Shanghai
200070, China
Tel: +86-21-3253 0998
Email: fcsh@fcl-components.com

Hong Kong

FCL COMPONENTS HONG KONG CO.,
LIMITED
Unit 2313, Seapower Tower, Concordia
Plaza, No.1 Science Museum Road,
TST, Kowloon, Hong Kong
Tel: +852-2881-8495
Email: fcals@fcl-components.com

Web: www.fcl-components.com/en/

© 2025 FCL Components Limited. All rights reserved. All trademarks or registered trademarks are the property of their respective owners.

FCL Components Products are intended for general use, including without limitation, in personal, household and office environments, in buildings and for ordinary use in the industry. FCL Components Products are not intended to be used in applications where extremely high safety is required ("High Safety Required Applications"), such as, but not limited to, applications in nuclear facilities, in aircraft automatic flight control, in air traffic control, in mass transit system control, in missile launch system, in weapon systems, in medical equipment for life support or any application involving a direct serious risk of physical injury or death.

Please do not use FCL Components Products without securing the sufficient safety and reliability required for the High Safety Required Applications.

In addition, FCL Components shall not be liable against the customer and/or any third party for any claims or damages arising in connection with the use of FCL Components Products in the High Safety Required Applications.

FCL Components warrants that its Products, if properly used and services, will conform to their specification and will be free from defects in material and workmanship for twelve months from delivery.

The implied warranties of merchantability and fitness for a particular purpose and all other warranties, representations and conditions, express or implied by statute, trade usage or otherwise, except as set forth in this warranty, are excluded and shall not apply to the Products delivered.

The contents, data and information in this datasheet are provided by FCL Components Limited as a service only to its user and only for general information purposes. The use of the contents, data and information provided in this datasheet is at the users' own risk.

FCL Components has assembled this datasheet with care and will endeavor to keep the contents, data and information correct, accurate, comprehensive, complete and up to date.

FCL Components Limited and affiliated companies do however not accept any responsibility or liability on their behalf, nor on behalf of its employees, for any loss or damage, direct, indirect or consequential, with respect to this datasheet, its contents, data, and information and related graphics and the correctness, reliability, accuracy, comprehensiveness, usefulness, availability and completeness thereof. Nor do FCL Components Limited and affiliated companies accept on their behalf, nor on behalf of its employees, any responsibility or liability with respect to these datasheets, its contents, data, information and related graphics and the correctness, reliability, accuracy, comprehensiveness, usefulness, availability and completeness thereof. Rev. January 20, 2025.

Looking for pricing, stock, or lifecycle information?

Click below to explore more details on WIN SOURCE:

- ⊖ [View FTR-K1CK024W on WIN SOURCE](#)
- ⊖ [FCL Components Information](#)

Optimize Your Supply Chain with WIN SOURCE Solutions

- ✓ Global Sourcing Solution
- ✓ Obsolete Management
- ✓ Cost Control Management
- ✓ Shortage Management
- ✓ Alternative Solution
- ✓ Excess Inventory Management