



**THE DATASHEET OF
1300-0017-XX**



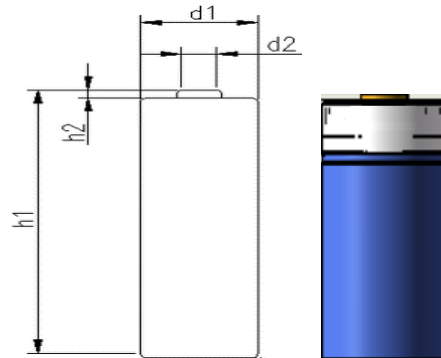
cell chemistry:	Li-Ion	
cell size:	16340	
cell type:	round cell	
Conditions		
nominal voltage:	3.6 V	
capacity		
nominal:	850 mAh	discharge at 0.2C
minimum:	800 mAh	discharge at 0.2C
	760 mAh	discharge at 1C
		ta: 20°C; EV(Discharge End Voltage): 2.75V
discharge		
max. continuous discharge current:	1600 mA	ta: 0...45°C
		important: avoid cell temperature above 60°C
discharge end voltage:	≥ 2.75 V	(recommended)
external charge (at +/- poles)		
charging method:	CC - CV (Constant Current - Constant Voltage)	
charge current:	160 mA	at standard charge
max. charge current:	800 mA	at fast charge
charge end voltage:	4.2 V	± 50mV
charge cut off by time:	6 h	at standard charge
	1.5...2.0 h	at fast charge
by current drop:	16 mA	end current - cut off
internal resistance:	≤ 150 mΩ	at 1kHz, sine wave measurement according to IEC 896-2
energy:	3.06 Wh	
protection functions		
overcharge cut off voltage:	4.27 V	± 0.05V
deep disch.cut off voltage:	2.4 V	± 0.1V
overload cut off current:	3.0 A	± 1A
life time expectance (C>70% of min. capacity)	≥ 300 cycles	at 0.5C charge/discharge rate
self discharge:	≤ 2 %/month	at 20°C
	≤ 5 %/month	at 30°C
	≤ 10 %/month	at 40°C

ambient temperature range:	0...45 °C	charge
	- 20...60 °C	discharge
	- 20...25 °C	storage max. 1year
	- 20...45 °C	storage max. 3months

recommended SOC: 30...50 % for long-time storage
(SOC = state of charge)

mechanical specifications

cell dimensions (incl. sleeve)		
diameter d1:	17.0 - 1	mm
diameter d2:	max. 9.6	mm
height h1:	35.5 - 1	mm
height h2:	min. 1	mm
weight:	19 ± 1.5	g



111

	ANSMANN Specifications for model:	Protected 16340 Li-Ion Battery
		3.7V 850mAh
	data sheet no. / part no.	
	s.n.	704507
	author / date	TG / 25.05.2022

Looking for pricing, stock, or lifecycle information?

Click below to explore more details on WIN SOURCE:

- [⊖ View 1300-0017-XX on WIN SOURCE](#)
- [⊖ ANSMANN \(Huizhou\) Trading CO., LTD Information](#)

Optimize Your Supply Chain with WIN SOURCE Solutions

- ✓ Global Sourcing Solution
- ✓ Obsolete Management
- ✓ Cost Control Management
- ✓ Shortage Management
- ✓ Alternative Solution
- ✓ Excess Inventory Management