



THE DATASHEET OF
1315-0005-XX



cell chemistry: Li-Ion
cell size: 9V E-Block
cell type: pouch pack (lithium polymer)

Conditions

nominal output voltage: 9.0 V

capacity

nominal: 400 mAh discharge at 0.2C
 minimum: 340 mAh discharge at 0.2C
 300 mAh discharge at 0.5C
 ta: 20°C; EV(Discharge End Voltage): 5.4V

discharge

max. continuous discharge current: 300 mA
 nom. discharge current: 80 mA
 ta: 0....45°C

charge via type-C connector (with USB charger)

supply voltage: 5 V ± 0.25V
 charge current: 450 mA ± 10%
 charge time: 2.5 h ± 0.25h

external charge (at battery + / - poles) is not allowed; charge battery via type-C connector only

internal resistance: n/a at 1kHz, sine wave measurement according to IEC 896-2

output protection function: short-circuit cut-off
 cut-off current: 2 A ± 0.5A

deep discharge protection function

cut-off voltage of int. battery: 2.6 V ± 0.3V

LED charge indicator

visible next to the type-C socket

lights red during charge
 lights green at end of charge (battery fully charged)

built-in li-ion battery: 3.7 V / 1000mAh
 energy: 3.7 Wh

life time expectance

(C>70% of min. capacity) ≥ 1200 cycles at 0.2C charge / 0.2C discharge rate

self discharge:

≤ 2 %/month at 20°C
 ≤ 5 %/month at 30°C
 ≤ 10 %/month at 40°C

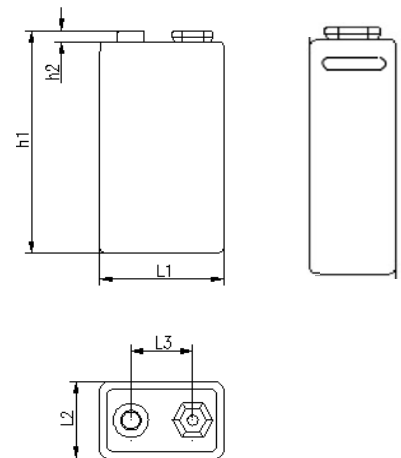
ambient temperature range:


0...45 °C charge
 - 20...60 °C discharge
 - 20...25 °C storage max. 1year
 - 20...45 °C storage max. 3months

recommended SOC: 30...50 % for long-time storage
 (SOC = state of charge)

mechanical specifications

cell dimensions (incl. label)
 Length L1: 26.5 - 2.0 mm
 Length L2: 17.5 - 2.0 mm
 Length L3: 12.7 ± 0.25 mm
 height h1: 48.5 - 1.0 mm
 weight: 22.5 ± 2 g



	ANSMANN Specifications for model:	9V-E-Block Li-Ion Battery 9V 400mAh w. type-C charge
	data sheet no. / part no.	1315-0005
	s.n.	705163
	author / date	TG / 07.09.2023

Looking for pricing, stock, or lifecycle information?

Click below to explore more details on WIN SOURCE:

- [View 1315-0005-XX on WIN SOURCE](#)
- [ANSMANN \(Huizhou\) Trading CO., LTD Information](#)

Optimize Your Supply Chain with WIN SOURCE Solutions

- ✓ Global Sourcing Solution
- ✓ Obsolete Management
- ✓ Cost Control Management
- ✓ Shortage Management
- ✓ Alternative Solution
- ✓ Excess Inventory Management