



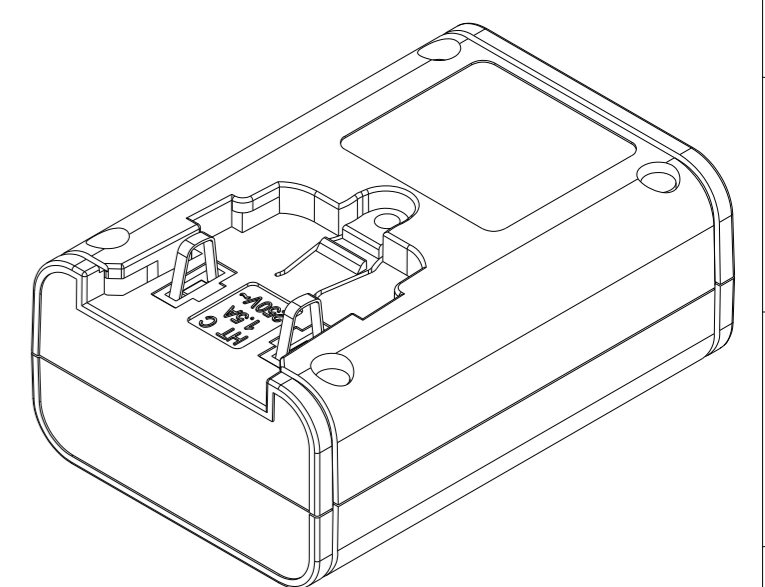
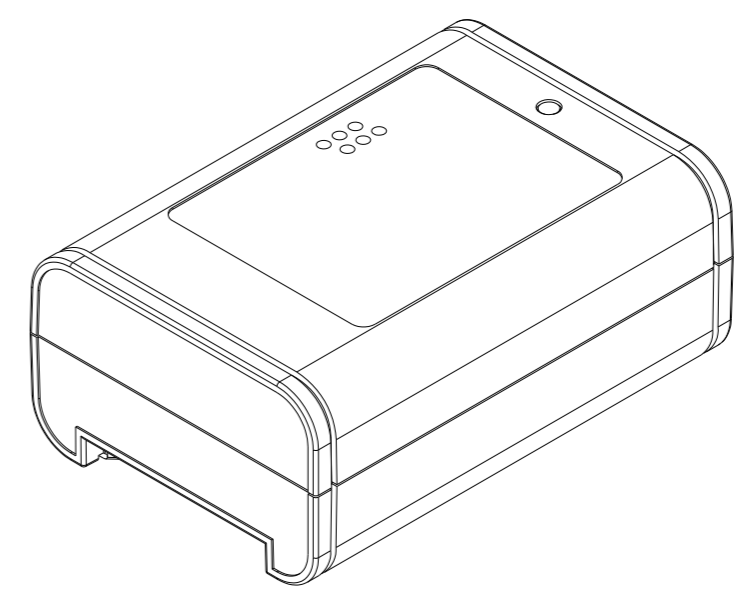
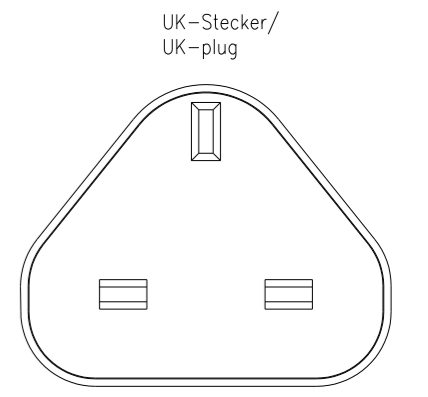
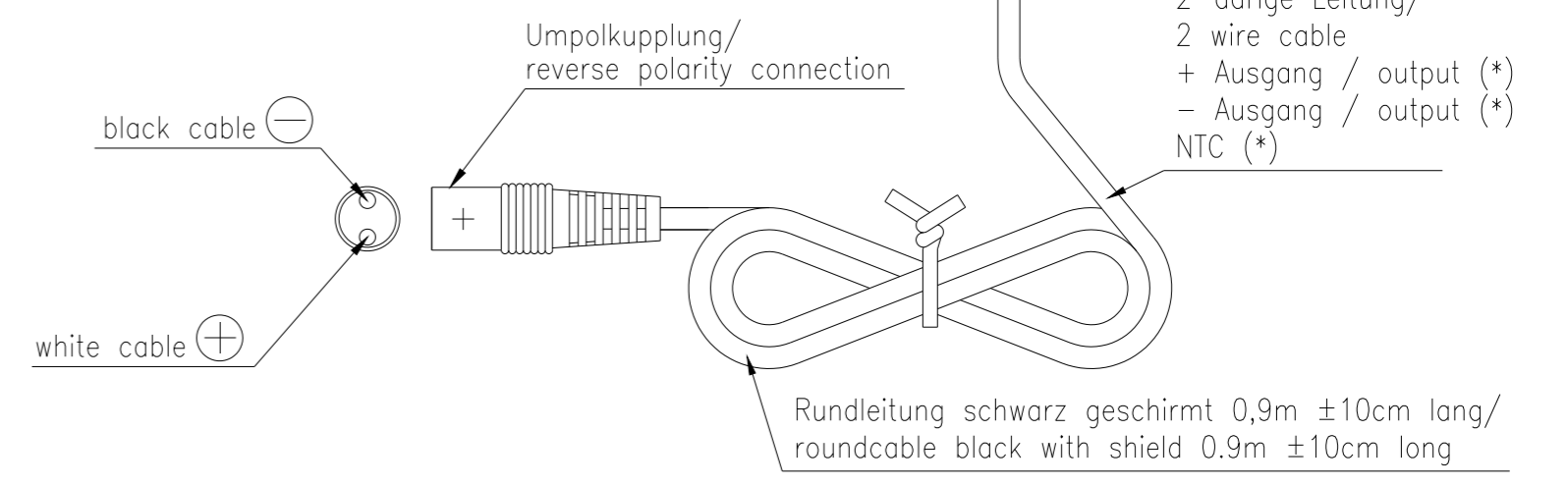
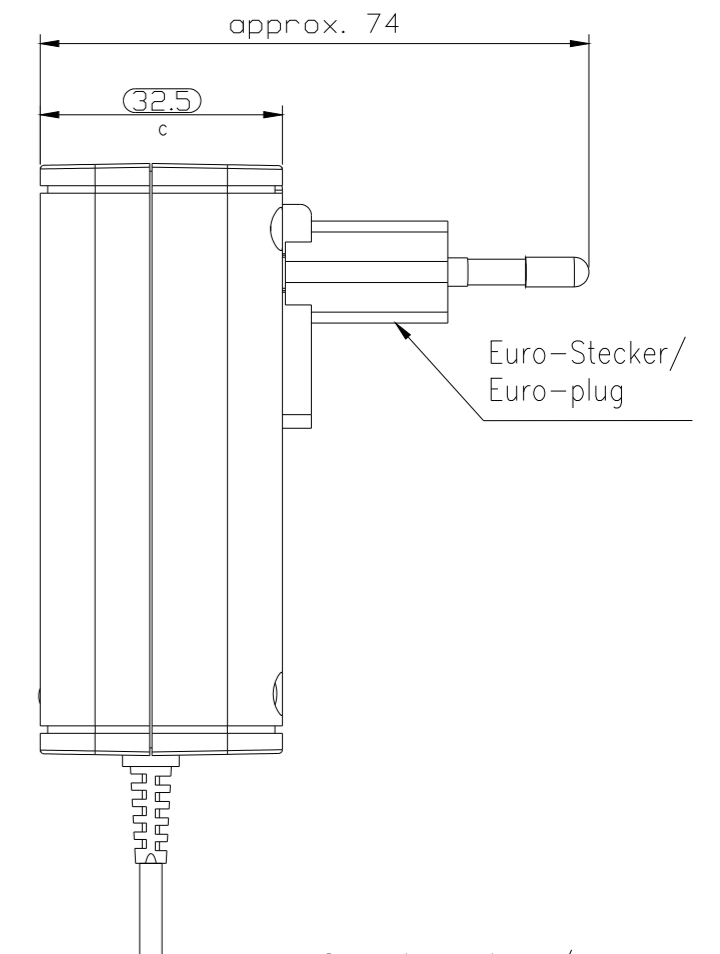
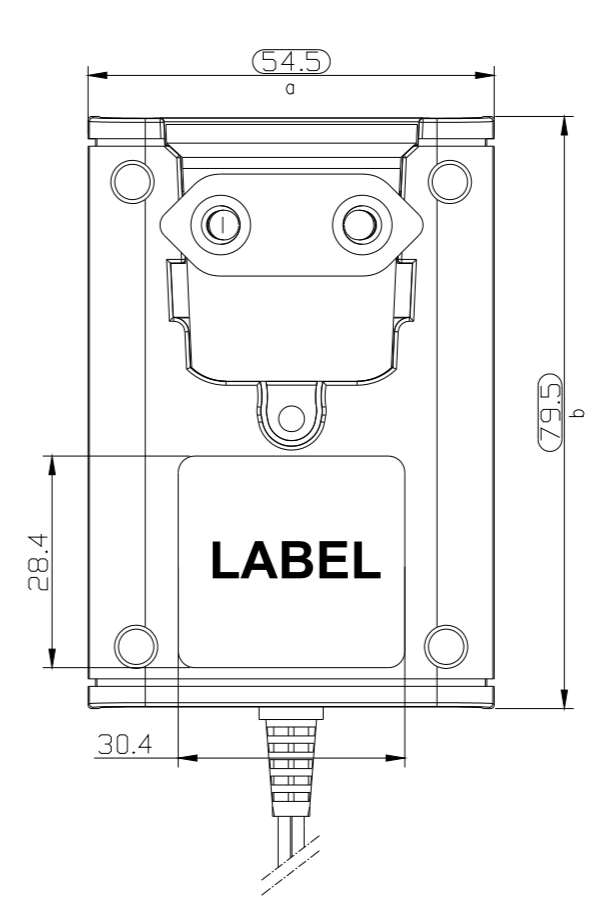
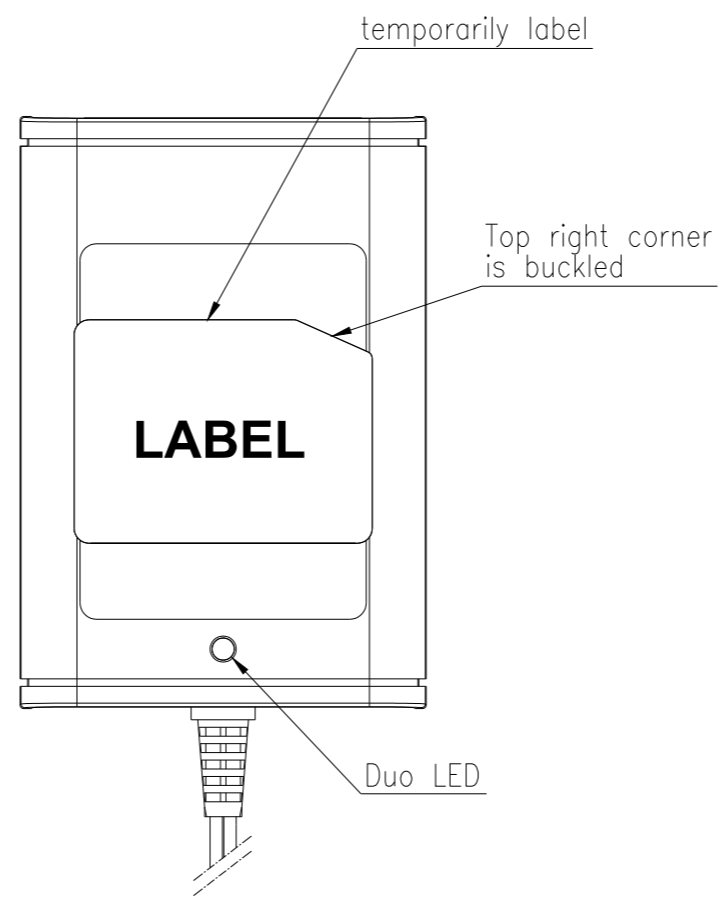
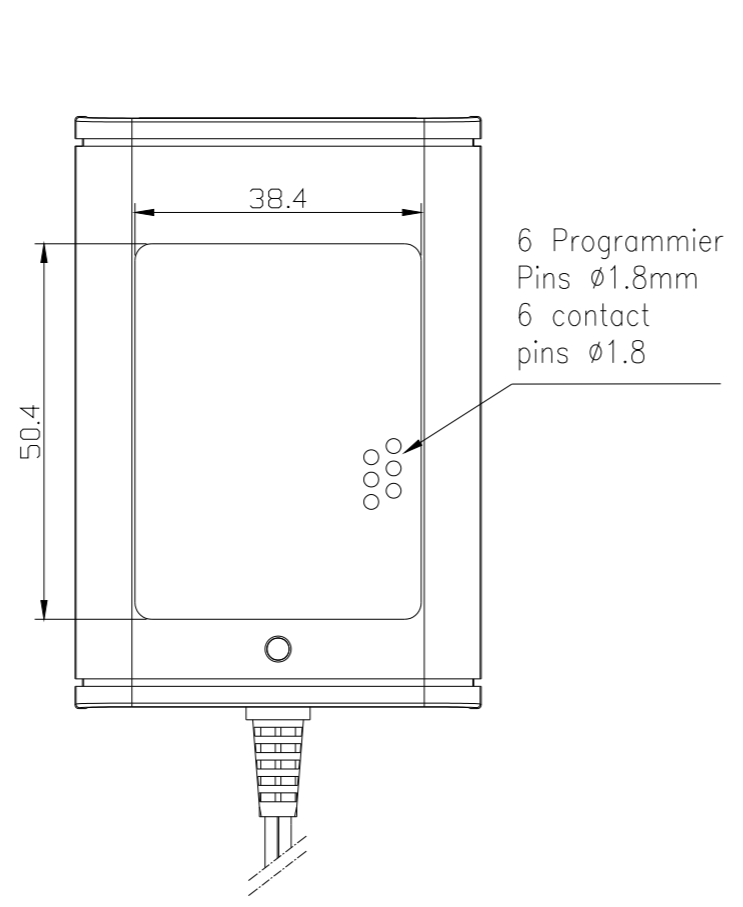
**THE DATASHEET OF
2000-3001-XX**



The supplier acknowledges that, with the acceptance of the drawing, he is in a position to manufacture the illustrated part in accordance with the drawing in reproducible form and series production. Through the selected manufacturing processes no impairments will arise in the material and structure which could subsequently lead to an impairment of the component. Verbal agreements over and above that are not valid. Deviations from this rule must be written and signed by the purchaser.

This drawing may not be copied, reproduced or made available to other parties in any medium without the written approval of the manufacturer.

- Technische Daten/
technical data : Steckerladegerät/
plug-in charger
- Chemie/
chemistry : Li-Ion, NiMH, PB
- Zellenzahl/
no. of cells : 1-4 Zellen/ cells Lilon (*)
1-10 Zellen/ cells NiMH (*)
1-6 Zellen/ cells PB (*)
- ladbare Kapazität/
loadable capacity : min. $\geq 0.7Ah$ (*)
max. $\leq 26Ah$ (*)
- Eingangsspannung/
input voltage : 100-240VAC $\pm 10\%$ / 50-60Hz
- Eingangs-Schutz/
primary electrical protection : Sicherung T3.15A
fuse
- Leistungsaufnahme im Leerlauf/
stand-by power consumption : $\leq 0.5W$ (*)
- Nenn-Leistungsaufnahme/
nominal power consumption : $\leq 12W$ (*)
- Ableitstrom/
Leakage current : $< 250\mu A$
- Ausgangsspannung im Leerlauf/
no load output voltage : ca./ approx. 0-12VDC (*)
- Vorladespannung/
pre-charge voltage : 2.5V $\pm 0.1V\%$ / cell / Lilon (*)
- Vorladestrom/
pre-charge current : XXXmA $\pm 10\%$ (*)
- Nennausgangsspannung/
nominal output voltage : Lilon: 3.6V / cell (*)
NiMH: 1.2V / cell (*)
PB: 2V / cell (*)
- Nennladestrom/
nominal charge current : $\leq 2400mA \pm 10\%$ (*)
- Ladeschlussspannung/
charge end voltage : Lilon: 4.2V $\pm 1\%$ / cell (*)
PB: 2.3V $\pm 1\%$ / cell (*)
- Ladeschlussstrom/
charge end current : XXXmA $\pm 10\%$ (*)
- dV Erkennungsspannung
-dV detection voltage : XXXmV $\pm 10\%$ (*)
- Lade Wiedereinschaltspannung/
charge restart voltage : 3.9V...4V/cell / Lilon (*)
- Lade Wiedereinschaltstrom/
charge restart current : XXXmA (*)
- Rückstrom ohne Netzspannung/
reverse current without AC : $< 100\mu A$ bei/ at 16.8VDC (*)
- Ausgangs-Schutz/
secondary electrical protection : Kurzschluss, Temperatur/ (*)
short circuit, temperature protection (*)
- Akku-Vollerkennung/
battery full detection : CCCV, -dV, OdV, IUOU (*)
- Sicherheitstimer/
safety timer : --- (*)
- Spannungsfestigkeit/
electric strength : 4 kV Eingang/Ausgang
primary/secondary
- Schutzklasse/
protection class : II
- Betriebstemperatur/
operating temperature : 0°C...+40°C
- Lagertemperatur/
storage temperature : -25°C...+60°C
- Luftfeuchtigkeit im Betrieb/
humidity: operation : 10%-90% (non-condensing)
- Transport & Lagerung/
transport & storage : 10%-95% (non-condensing)
- Einsatzhöhe/
altitude : max. 2000m
- Transport & Lagerung/
transport & storage : max. 12000m
- Luftdruck im Betrieb/
Air pressure: operation : 795-1060hPa
- Transport & Lagerung/
 : 500-1060hPa
- (*) -depends on software



- Nettogewicht/
net weight : 150g
- Gehäuse/
case : Steckergehäuse, schwarz, Typ/ APS1500T
plug-in housing, black, type
- Gehäusematerial/
case material : PC plastic UL94V-0
- Leiterplattenmaterial/
pcb material : FR4
- Schutzart/
case protection : IP 20
- Typenschild Vorderseite/
ratingplate front : Weißes Label mit schwarzer Bedruckung/
white label with black printing
- Typenschild Rückseite/
ratingplate back : ---
- Anleitungen/
instructions : Deutsch, Englisch/
german, english
- Approbationen/
approvals : CE, UKCA, CB report
- Normen/
standards : CB IEC 60335-2-29, IEC 60335-1,
CE EMC EN 55015-1, EN 61000-3-2,
EN 61000-3-3, EN 55014-2

- Duo LED indicator
- charging inactive (power on) : flash green 0.2Hz (*)
- charging (CC/CV) : flash green 1Hz (*)
- charging finished : lights green (*)
- error (battery/charger/muting) : flash red (*)
- (under-voltage, over-voltage, short circuit) (*)

Version		Change	Date	Name	Allowable deviation general tolerances	Surface:	Material:	Weight
					DIN ISO 2768-m		Scale (DIN A2): 1:1	
V7	technical data corrected	12.07.2022	DS	Date	Name	Product name: IPC-12-Uni-charger		
V6	wrong polarity protection removed	25.03.2022	DS	Drawn by	DS	Part number 2000-3001	Project: IS-710482	Sheet 1/1
V5	approvals updated	09.06.2021	DS	Changed by		Application range for inquiry	XXX/XX	
V4	LEDs modified	20.05.2021	DS					
V3	updated	01.12.2020	DS					
V2	UK-Plug added	10.09.2020	DS					
V2	technical data modified	30.06.2020	DS					
V1	cable length changed	03.02.2020	DS					

Looking for pricing, stock, or lifecycle information?

Click below to explore more details on WIN SOURCE:

- [⊖ View 2000-3001-XX on WIN SOURCE](#)
- [⊖ ANSMANN \(Huizhou\) Trading CO., LTD Information](#)

Optimize Your Supply Chain with WIN SOURCE Solutions

- ✓ Global Sourcing Solution
- ✓ Obsolete Management
- ✓ Cost Control Management
- ✓ Shortage Management
- ✓ Alternative Solution
- ✓ Excess Inventory Management