

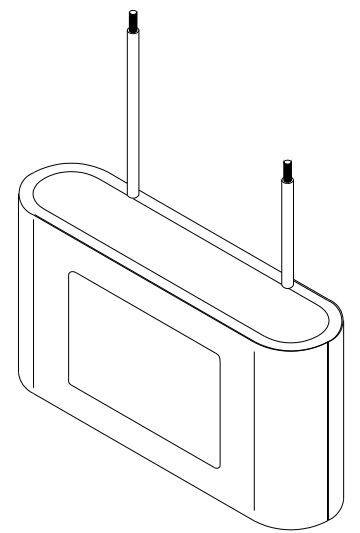
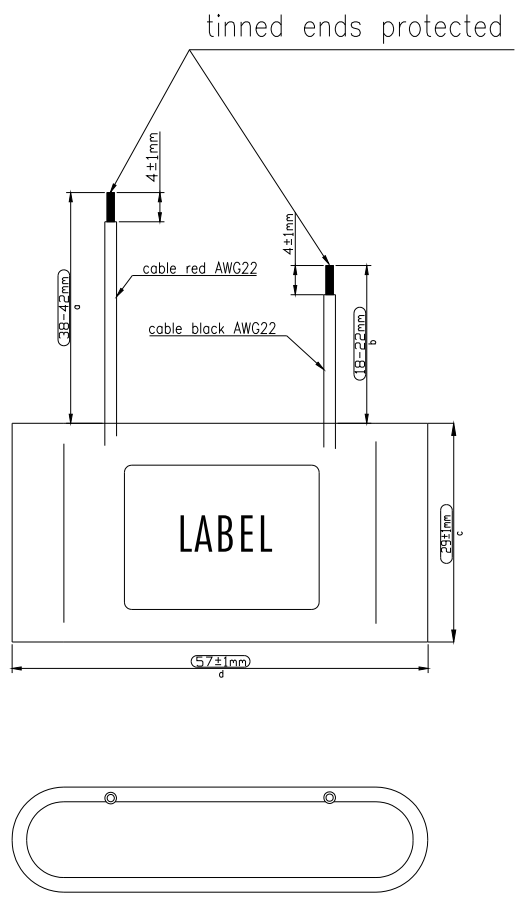


**THE DATASHEET OF**  
**2410-3009-01-XX**



The drawing may not be used, reproduced or made available to third parties without the prior written approval of the company. Any reproduction or use without the prior written approval of the company is prohibited.



technical data : battery pack  
 cell type : NiMH  
 cell size : 2/3AA  
 nominal voltage : 4.8V  
 no. of cells : 4 cells  
 capacity :  
 typical : 620 mAh discharge at 0.2C  
 rated : 600 mAh discharge at 0.2C  
 4V end discharge voltage  
 ta: 20°C  
 max. continuous discharge current: : 1800mA ta: 0...45°C  
 charge : current time  
 standard charge : 60 mA 16hrs.  
 fast charge : 300 mA 2.1hrs.  
 : 600 mA 1.05hrs.  
 recommended charge : 0...5mV - delta V per cell  
 0.8°C temperature rise per minute (0.5 to 0.9C)  
 termination control : 0.8...1 °C temperature rise per minute (1C)  
 parameters : 45...50°C TCO (temperature cut off)  
 trickle charge current : 30...60mA (recommended)  
 internal resistance : ≤180mΩhm at 1Khz  
 (impedance) battery fully charged  
 charge retention : 70% after 3 months  
 (self discharge of a fully charged battery at 25°C ambient temperature)  
 life expectancy : ≥ 500 cycles acc. IEC61951-2(2011)  
 ambient temperature : 0°C...+45°C standard charge  
 range : 10°C...+45°C fast charge  
 : 0°C...+45°C trickle charge  
 : -20°C...+50°C discharge 3C  
 : -20°C...+35°C storage  
 weight : approx. 60g



Allowable deviation		Surface:		Material:		Weight	
DIN ISO 2768-m				Scale (DIN A2):		1	
				Projection method		1	
				Product name:			
				NIMH-4.8V-2/3AA600			
				Part number		Project:	
				2410-3009-01		IS-00478	
				Application range for inquiry			
				XXX/XX			
				Sheet			
				1/1			

## Looking for pricing, stock, or lifecycle information?

Click below to explore more details on WIN SOURCE:

-  [View 2410-3009-01-XX on WIN SOURCE](#)
-  [ANSMANN \(Huizhou\) Trading CO., LTD Information](#)

## Optimize Your Supply Chain with WIN SOURCE Solutions

-  Global Sourcing Solution
-  Obsolete Management
-  Cost Control Management
-  Shortage Management
-  Alternative Solution
-  Excess Inventory Management