



**THE DATASHEET OF  
2414-3006-XX**



The supplier acknowledges that, with the acceptance of the drawing, he is liable to manufacture the illustrated part in accordance with the drawing in accordance with the requirements of the customer. Any deviations from the drawing are the responsibility of the customer. The customer is responsible for the correct interpretation of the drawing and for the correct application of the drawing.

This drawing may not be used, reproduced or made available to third parties in any way without written or prior written approval.

technical data : battery pack  
 cell type: NIMH  
 cell size: D cell

nominal voltage: 4x 1.2V  
 max. charge voltage: 4x 1.5V  
 no. of cells: 4 cells

capacity:  
 nominal : 5000 mAh discharge at 0.2C  
 minimum: 5000 mAh discharge at 0.2C  
 4500 mAh discharge at 1C  
 1V end discharge voltage  
 ta: 20°C

max. continuous discharge current: 7500mA ta: 0...45°C  
 charge : current time

standard charge 500 mA 14...16hrs.  
 quick charge 1500 mA 4hrs.  
 fast charge 2300mA 2.3hrs.

recommended charge : 0...5mV – delta V per cell  
 termination control 0.8...1 °C temperature rise per minute  
 parameters 45...50°C TCO (temperature cut off)

trickle charge current 25...150mA (recommended)

continuous overcharge (less than 1 year) : ≤ 500mA no conspicuous deformation  
 no leakage

internal resistance (impedance) : 4x<30mΩhm at 1Khz  
 battery fully charged

life expectancy ≥ 500 cycles acc. IEC standard

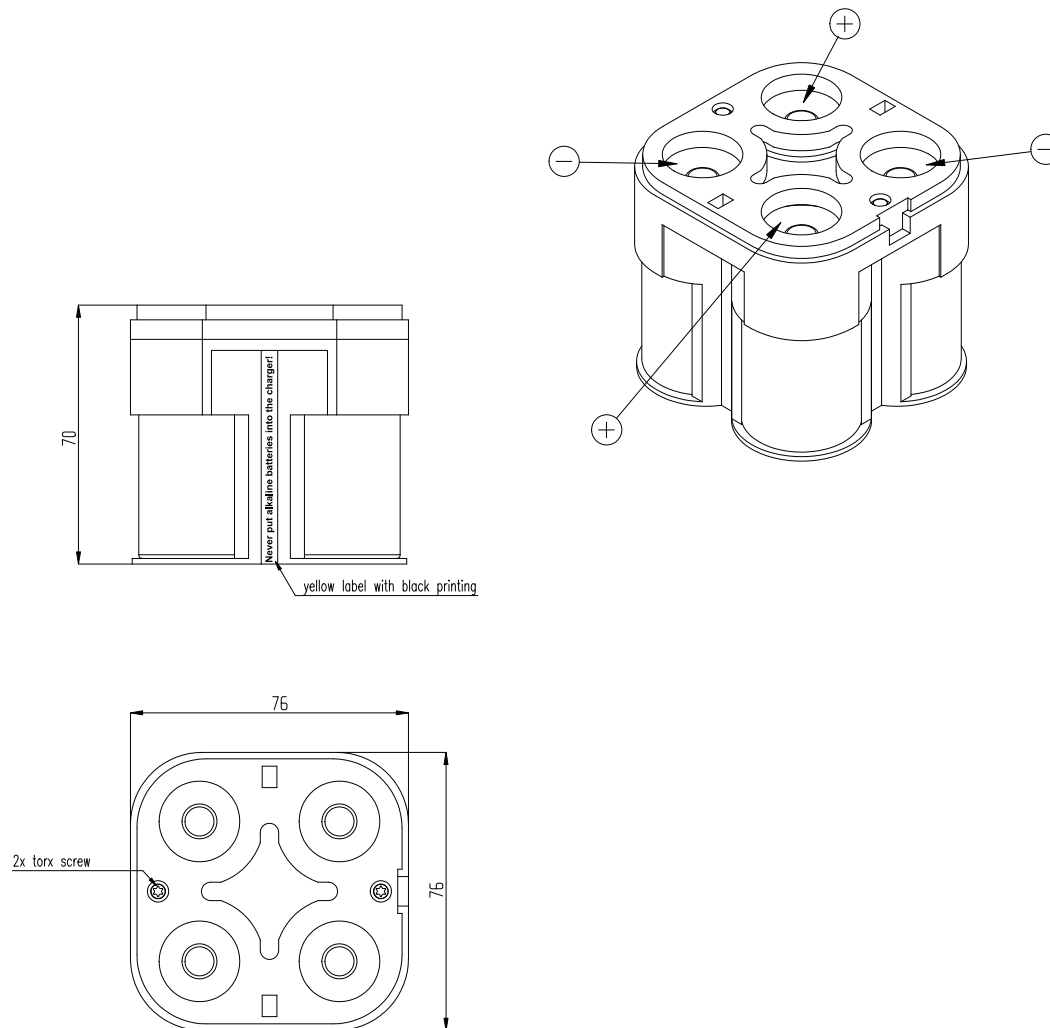
self discharge :  
 charge retention : ≥80 % after 12 months storage  
 (at <20°C ambient)

initial capacity : ≥ 3500mAh within 30 days after delivery discharge at 0.2C

Protection : Polyswitch VTP170

ambient temperature range : 0°C...+45°C standard charge  
 10°C...+40°C fast charge  
 -20°C...+65°C discharge ≤1C  
 0°C...+45°C discharge >1C  
 -20°C...+50°C storage (≤3 months)  
 -20°C...+40°C storage (≤6 months)  
 -20°C...+30°C storage (≤24 months)

weight : approx. 475g



|   |                 |   |                        |                                     |   |
|---|-----------------|---|------------------------|-------------------------------------|---|
| Verwendungsbereich/Application range<br>für Anfrage/for inquiry IS-2014-00647 |                 | Zul. Abweichung/<br>Allowable deviation | Oberfläche/<br>Surface | Maßstab/Scale (DIN A2): 1:1         | Gewicht/Weight                            |
|   |                 | Allgemeintoleranz<br>DIN ISO 2768-m     |                        | Werkstoff/Work material, Modell-Nr. |   |
|   |                 | 2014 Datum/Date                         | Name                   | Zeichnungsname/Drawing name         |   |
|   |                 | Zeichner/<br>Drawn by                   | 18.09.                 | JE                                  | Akkupack/ Battery pack<br>4x 1,2V 5000mAh |
|   |                 | Zeichnungsnummer/Drawing number         |                        |                                     | Blatt/<br>Sheet                           |
| VO screens changed, polarity added  |                 | 05.01.15                                | SP                     | 2414-3006                           |   |
| VO ---  |                 | XX.XX.XX                                | XX                     | 1                                   |   |
| Version   | Anderung/Change | Datum/Date                              | Name                   | Ursprung/Origin Proj. IS-2014-00647 | Ersatz für/Replaced by                    |
|   |                 |   |                        | Ersatz durch/Replacement through    |   |

## Looking for pricing, stock, or lifecycle information?

Click below to explore more details on WIN SOURCE:

- [View 2414-3006-XX on WIN SOURCE](#)
- [ANSMANN \(Huizhou\) Trading CO., LTD Information](#)

## Optimize Your Supply Chain with WIN SOURCE Solutions

- ✓ Global Sourcing Solution
- ✓ Obsolete Management
- ✓ Cost Control Management
- ✓ Shortage Management
- ✓ Alternative Solution
- ✓ Excess Inventory Management