

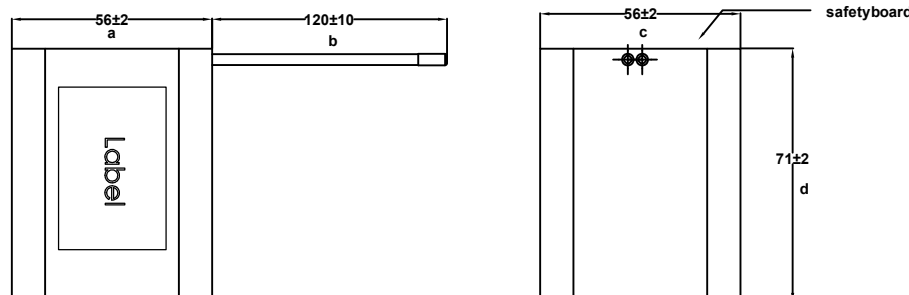
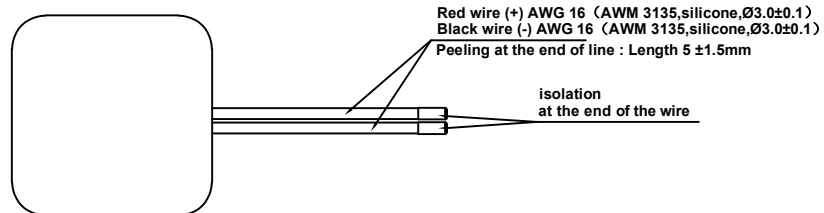
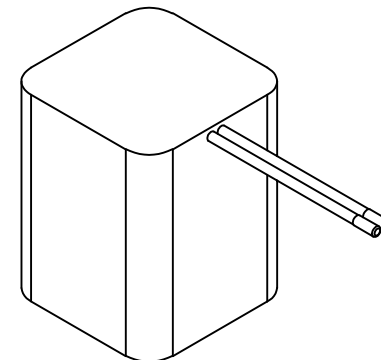


THE DATASHEET OF
2447-0070-50-XX



This drawing may not be copied, reproduced or made available to third parties in any way whatsoever without or prior written approval. The supplier acknowledges that, with the acceptance of the drawing, he is in a position to manufacture the illustrated part in accordance with the drawing in reproducible quantities. The drawing is not to be used for the production of individual parts. The drawing is not to be used for the production of individual parts. The drawing is not to be used for the production of individual parts.

Technische Daten/ technical data	:	Akkupack/ batterypack
Chemie/ chemistry	:	Lithium Ion
Zellenzahl/ no. of cells	:	9 Zellen/ cells INR18650-CQ-BAK; 3S3P
Kapazität/ capacity	:	nom. 7650 mAh discharge at 0.2C min. 7500 mAh discharge at 0.2C ta:20°C; EV(Discharge End Voltage): 2.75V per cell C=min capacity
Innenwiderstand/ impedance	:	-----
Nominalspannung/ nominal voltage	:	10.8 V
Standard Ladespannung/ standard charge voltage	:	12.6 V
Überladeschutzspannung/ over charge voltage detection	:	12.75 V ± 120mV
Wiedereinschaltspannung/ over charge release voltage	:	12.39 V ± 150mV
Entladeabschaltspannung/ over discharge detection voltage	:	8.4 V ± 240mV
Wiedereinschaltspannung/ over discharge release voltage	:	9.0 V ± 300mV
Nominaler Ladestrom/ nominal charge current	:	3750 mA
Maximaler Ladestrom/ maximum charge current	:	7500 mA
Ladeendstrom/ charge end current	:	75 mA
Maximaler Entladestrom/ maximum discharge current	:	10.05 A
Entlade Abschaltstrom/ discharge cut off current	:	28.5 A ± 5.7A
Kurzschlusschutz/ short circuit protection	:	gegen äußeren Kurzschluss/ against external short circuit
Rückstellkriterium/ release condition	:	Last trennen, Aktiv nach Anladen/ cut load, release after charging up
Anwendungstemperaturbereich/ ambient temperature range	:	0°C...+45°C charge -20°C...+60°C discharge -20°C...+25°C storage max. 1 year -20°C...+45°C storage max. 3months
Standards/	:	----



batterypack covered with 1 layer of blue shrinktube

- Remarks:
 V3 modify list:
 1. Update drawing format
 2. Update tolerance of size
 3. Add cable information

Application range for inquiry	Allowable deviation general tolerances	Tolerance principle:	Model:	Material:
			Scale (DIN A2): 1:1	All dimensions in mm
			Weight: 509g	
	2022	Date	Name	Drawing name
	Drawn by	03.05	HONG	
	Approved by			
V3 Updated ref remark	2024.11.04	HONG		Li-Ion-10.8V-7650mAh-3s3p-CQ-BAK
V2 updated text font	2023.04.26	HONG		
V1 updated parameter	2021.12.27	HONG		
V0	2022.03.08	HONG		
Version	Change	Date	Name	
Drawing number			Part number	
			2447-0070-50	
Replaced by:			Replacement through:	
			1/1	

Looking for pricing, stock, or lifecycle information?

Click below to explore more details on WIN SOURCE:

- ⊖ [View 2447-0070-50-XX on WIN SOURCE](#)
- ⊖ [ANSMANN \(Huizhou\) Trading CO., LTD Information](#)

Optimize Your Supply Chain with WIN SOURCE Solutions

- ✓ Global Sourcing Solution
- ✓ Obsolete Management
- ✓ Cost Control Management
- ✓ Shortage Management
- ✓ Alternative Solution
- ✓ Excess Inventory Management