



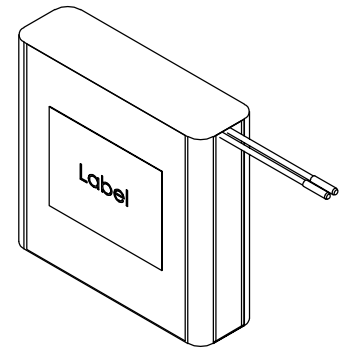
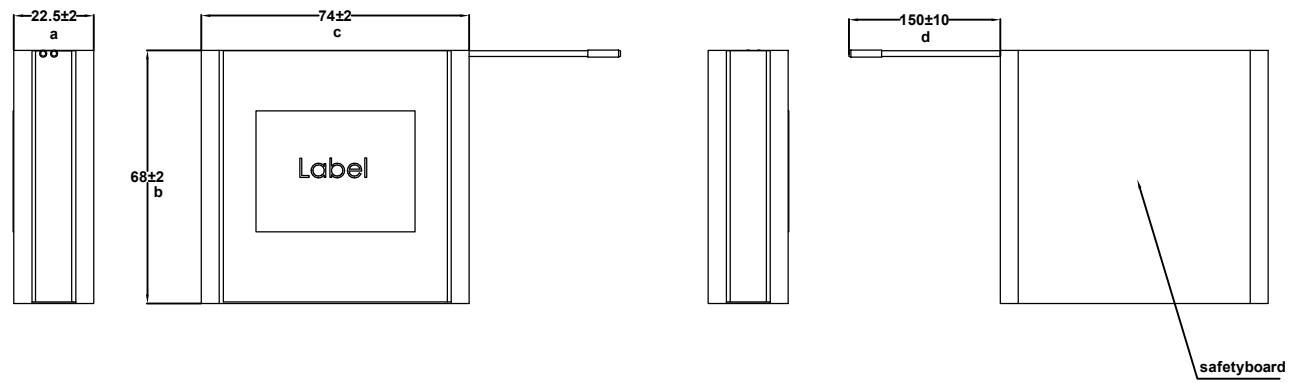
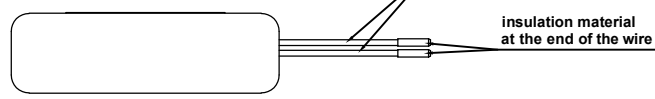
**THE DATASHEET OF**  
**2447-0117-XX**



This drawing may not be copied, reproduced or made available to third parties in any way whatsoever without or prior written approval.

- Technische Daten/ technical data** : Akkupack/ battery pack  
**Chemie/ chemistry** : Lithium Ion  
**Zellenzahl/ no. of cells** : 4 Zellen/ cells INR18650-CP-BAK; 4S1P  
**Kapazität/ capacity** : nom. 3350mAh discharge at 0.2C  
 min. 3250mAh discharge at 0.2C  
 ta:25°C; EV(Discharge End Voltage): 2.5V per cell  
 C=min capacity  
**Innenwiderstand/ impedance** : -----  
**Nominalspannung/ nominal voltage** : 14.4V  
**Standard Ladespannung/ standard charge voltage** : 16.8 V  
**Überladeschutzspannung/ over charge voltage detection** : 17.0 V ± 160mV  
**Wiedereinschaltspannung/ over charge release voltage** : 16.52 V ± 200mV  
**Entladeabschaltspannung/ over discharge detection voltage** : 10.0 V ± 320mV  
**Wiedereinschaltspannung/ over discharge release voltage** : 10.8 V ± 400mV  
**Nominale Ladestrom/ nominal charge current** : 1.625A / 0.5C  
**Maximaler Ladestrom/ maximum charge current** : 3.25A / 1C  
**Ladeendstrom/ charge end current** : 0.01C recommended  
**Maximaler Entladestrom/ maximum discharge current** : 5.0A  
**Entlade Abschaltstrom/ discharge cut off current** : 12.5 A ± 2.5 A  
**Kurzschlusschutz/ short circuit protection** : gegen äußeren Kurzschluss/ against external short circuit  
**Rückstellkriterium/ release condition** : Last trennen, Aktiv nach Anladen/ cut load, release after charging up  
**Anwendungstemperaturbereich/ ambient temperature range** : 0°C...+45°C charge  
 -20°C...+60°C discharge  
 -20°C...+25°C storage max. 1 year  
 -20°C...+45°C storage max. 3months  
**Standards/** : 1. UN 3480, Subsection 38.3  
 All cells and batterypacks type tested according to UN manual of test and criteria subsection 38.3  
 2. IEC 62133-2:2017

battery pack covered with 2 layer of blue shrinktube  
 Red wire (+) AWG 18 (AWM 3135,silicone,Ø2.75±0.1)  
 Black wire (-) AWG 18 (AWM 3135,silicone,Ø2.75±0.1)  
 Peeling at the end of line : Length 4 ± 1.5mm



- Remarks:**  
**V1 modify list:**  
 1. Update Standards/IEC 62133-2:2017  
 2. Update cable information  
 3. UPDate drawing format  
**V2 modify list:**  
 1.The width dimension is modified to 22.5.  
 (Small batch production found that the size is unqualified.)  
 2. Shrinktube modified to 2 layer

Application range for inquiry	Allowable deviation general tolerances	Tolerance principle:	Model:	Material:	Scale (DIN A2): 1:1	All dimensions in mm	Weight: 224g
	2021	Date	Name	Drawing name			
	Drawn by	2023.11.12	Hong	Li-Ion-14.4V-3350mAh-PTC-4s1p-CP-BAK			
	Approved by			Drawing number			
				Part number			
				2447-0117			
Version	Change	Date	Name	Project:	Replaced by:	Replacement through:	
V2	Updated ref remarks	2023.06.16	HONG				
V1	Updated ref remarks	2024.11.04	HONG				
V0	Create this file	2023.11.12	Hong				



## Looking for pricing, stock, or lifecycle information?

Click below to explore more details on WIN SOURCE:

- [View 2447-0117-XX on WIN SOURCE](#)
- [ANSMANN \(Huizhou\) Trading CO., LTD Information](#)

## Optimize Your Supply Chain with WIN SOURCE Solutions

- ✓ Global Sourcing Solution
- ✓ Obsolete Management
- ✓ Cost Control Management
- ✓ Shortage Management
- ✓ Alternative Solution
- ✓ Excess Inventory Management