

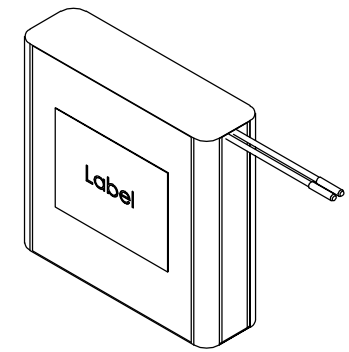


**THE DATASHEET OF**  
**2447-0128-XX**

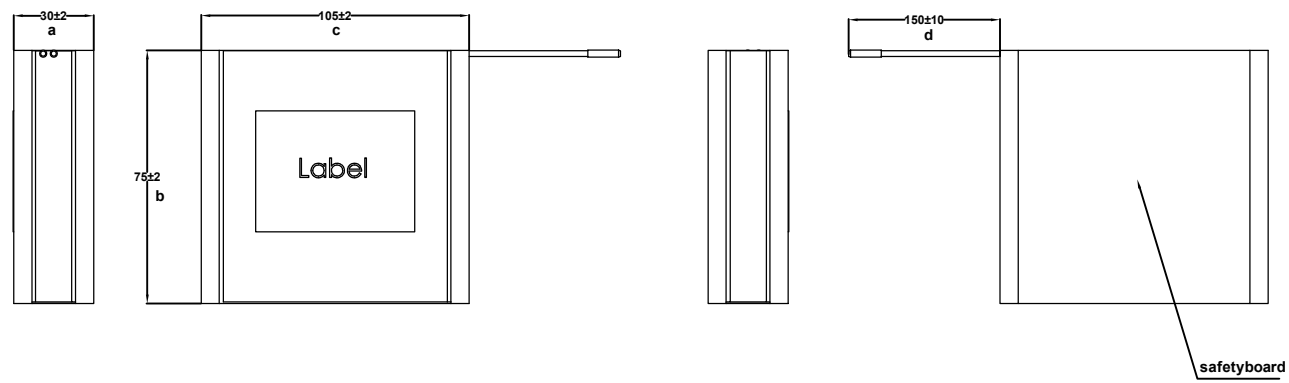


This drawing may not be copied, reproduced or made available to third parties in any way whatsoever without or prior written approval.

Technische Daten/ technical data	:	Akkupack/ batterypack
Chemie/ chemistry	:	Lithium Fe
Zellenzahl/ no. of cells	:	4 Zellen/ cells 26700FB2-BAK; 4S1P
Kapazität/ capacity	:	nom. 4500mAh discharge at 0.2C min. 4400mAh discharge at 0.2C ta:25°C; EV(Discharge End Voltage): 2.0V per cell C=min capacity
Innenwiderstand/ impedance	:	-----
Nominalspannung/ nominal voltage	:	12.8V
Standard Ladespannung/ standard charge voltage	:	14.4V
Überladeschutzspannung/ over charge voltage detection	:	14.6 V ± 100mV
Wiedereinschaltspannung/ over charge release voltage	:	14.2 V ± 100mV
Entladeabschaltspannung/ over discharge detection voltage	:	9.2 V ± 120mV
Wiedereinschaltspannung/ over discharge release voltage	:	10.8 V ± 120mV
Maximaler Ladestrom/ maximum charge current	:	2.2A
Ladeendstrom/ charge end current	:	44mA
Maximaler Entladestrom/ maximum discharge current	:	4.4A
Entlade Abschaltstrom/ 1st Level discharge cut off current	:	8.5A ± 2.5 A
Entlade Abschaltstrom/ 2nd Level discharge cut off current	:	20.5A ± 5.0 A
Kurzschlusschutz/ short circuit protection	:	gegen äußeren Kurzschluss/ against external short circuit
Rückstellkriterium/ release condition	:	Last trennen, Aktiv nach Anladen/ cut load, release after charging up
Anwendungstemperaturbereich/ ambient temperature range	:	0°C...+55°C charge -20°C...+60°C discharge -20°C...+25°C storage max. 1 year -20°C...+45°C storage max. 3months
Standards/	:	1. UN 3480, Subsection 38.3 All cells and batterypacks type tested according to UN manual of test and criteria subsection 38.3



battery pack covered with 1 layer of blue shrinktube  
 Red wire (+) AWG 22 (AWM 1007,PVC,Ø1.6±0.1)  
 Black wire (-) AWG 22 (AWM 1007,PVC,Ø1.6±0.1)  
 Peeling at the end of line : Length 4 ±1.5mm  
 insulation material at the end of the wire



Remarks:  
 V2 modify list:  
 1. Update Standards/  
 2. Update cable information

Application range for inquiry	Allowable deviation general tolerances	Tolerance principle:	Model:	Material:	Weight:
	DIN ISO 2768-m	ISO 8015	Scale (DIN A2): 1:1	All dimensions in mm	389.5g
	Date	Name	Drawing name		
	2024.01.25	Hong	Li-Fe-12,8V-4,5Ah-4s1p-PTC-BAK		
	Approved by		Drawing number		
			Part number 2447-0128		
V2	Update ref remarks	2024.12.04	ANSMANN		Sheet 1/1
V1	Update battery type	2024.10.07			
V0	Create this file	2024.01.25			
Version	Change	Date	Name	Project:	Replaced by: Replacement through:

## Looking for pricing, stock, or lifecycle information?

Click below to explore more details on WIN SOURCE:

- [View 2447-0128-XX on WIN SOURCE](#)
- [ANSMANN \(Huizhou\) Trading CO., LTD Information](#)

## Optimize Your Supply Chain with WIN SOURCE Solutions

- ✓ Global Sourcing Solution
- ✓ Obsolete Management
- ✓ Cost Control Management
- ✓ Shortage Management
- ✓ Alternative Solution
- ✓ Excess Inventory Management