

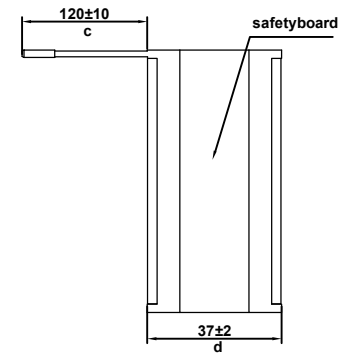
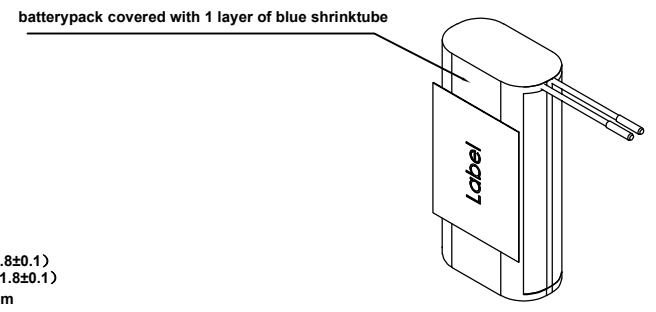
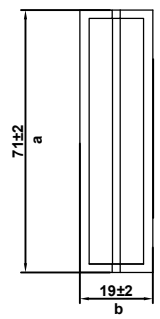
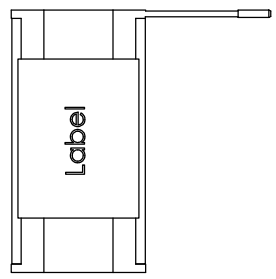
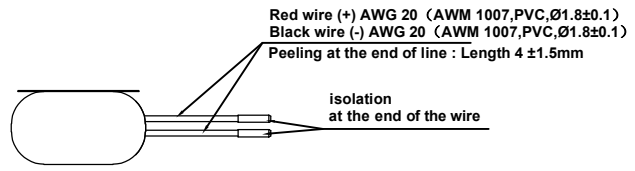


**THE DATASHEET OF**  
**2447-3030-60-XX**



The drawing may not be copied, reproduced or made available to third parties in any way whatsoever without or prior written approval. The supplier acknowledges that, with the acceptance of the drawing, he is in a position to manufacture the illustrated part in accordance with the drawing in reproducible form and series production. Through the selected manufacturing process no impairments will arise in the material and dimensions which could subsequently lead to an impairment of the component. During assembly and use, the user must observe the instructions for use and the safety instructions.

Technische Daten/ technical data	:	Akkupack/ batterypack
Chemie/ chemistry	:	Lithium Ion
Zellenzahl/ no. of cells	:	2 Zellen/ cells INR18650-CH-BAK; 2S1P
Kapazität/ capacity	:	nom. 2600mAh discharge at 0.2C min. 2500mAh discharge at 0.2C ta:25°C; EV(Discharge End Voltage): 2.75V per cell C=min capacity
Innenwiderstand/ impedance	:	-----
Nominalspannung/ nominal voltage	:	7.2 V
Standard Ladespannung/ standard charge voltage	:	8.4 V
Überladeschutzspannung/ over charge voltage detection	:	8.45 V ± 50mV
Wiedereinschaltspannung/ over charge release voltage	:	8.05 V ± 100mV
Entladeabschaltspannung/ over discharge detection voltage	:	5.4 V ± 160mV
Wiedereinschaltspannung/ over discharge release voltage	:	6.0 V ± 200mV
Nominaler Ladestrom/ nominal charge current	:	1.25 A
Maximaler Ladestrom/ maximum charge current	:	2.5 A
Ladeendstrom/ charge end current	:	25 mA
Maximaler Entladestrom/ maximum discharge current	:	5.0 A
Entlade Abschaltstrom/ discharge cut off current	:	8.3 A ± 2.0A
Kurzschlusschutz/ short circuit protection	:	gegen äußeren Kurzschluss/ against external short circuit
Rückstellkriterium/ release condition	:	Last trennen, Aktiv nach Anladen/ cut load, release after charging up
Anwendungstemperaturbereich/ ambient temperature range	:	0°C...+45°C charge -20°C...+60°C discharge -20°C...+25°C storage max. 1 year -20°C...+45°C storage max. 3months
Standards/ :	:	1. UN 3480, Subsection 38.3 All cells and batterypacks type tested according to UN manual of test and criteria subsection 38.3  2. IEC 62133-2:2017



Application range for inquiry		Allowable deviation general tolerances	Tolerance principle:	Model:	Material:
				Scale (DIN A2): 1:1	All dimensions in mm
				Weight: 94g	
		Date	Name	Drawing name	
		Drawn by	2024.06.03 Hong		
		Approved by		Li-Ion-7.2V-2600mAh-2s1p-CH-PTC	
				Drawing number	
				Part number 2447-3030-60	
				Sheet 1/1	
Version		Change	Date	Name	Project:
					Replaced by:
					Replacement through:



## Looking for pricing, stock, or lifecycle information?

Click below to explore more details on WIN SOURCE:

- ⊖ [View 2447-3030-60-XX on WIN SOURCE](#)
- ⊖ [ANSMANN \(Huizhou\) Trading CO., LTD Information](#)

## Optimize Your Supply Chain with WIN SOURCE Solutions

- ✓ Global Sourcing Solution
- ✓ Obsolete Management
- ✓ Cost Control Management
- ✓ Shortage Management
- ✓ Alternative Solution
- ✓ Excess Inventory Management