

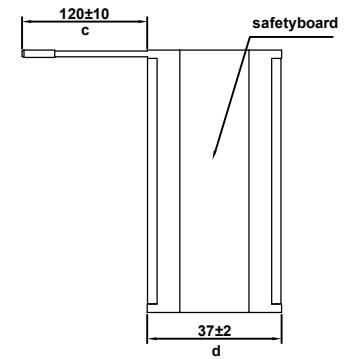
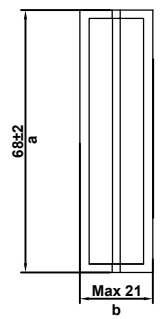
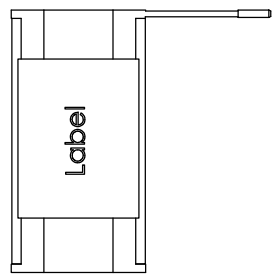
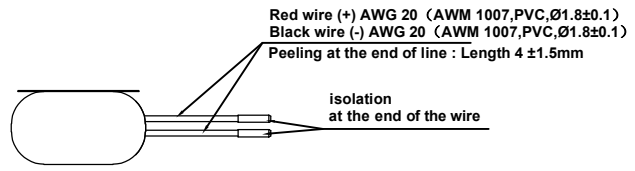


**THE DATASHEET OF
2447-3033-60-XX**

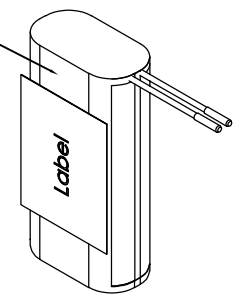


The drawing may not be copied, reproduced or made available to third parties in any way whatsoever without or prior written approval. The supplier acknowledges that, with the acceptance of the drawing, he is in a position to manufacture the illustrated part in accordance with the drawing in reproducible form and series production. Through the selected manufacturing process no impairments will arise in the material and dimensions which could subsequently lead to an impairment of the component. Drawing dimensions are always indicated in millimeters unless otherwise specified.

Technische Daten/ technical data	:	Akkupack/ batterypack
Chemie/ chemistry	:	Lithium Ion
Zellenzahl/ no. of cells	:	2 Zellen/ cells INR18650-CH-BAK; 1S2P
Kapazität/ capacity	:	nom. 5200mAh discharge at 0.2C min. 5000mAh discharge at 0.2C ta:25°C; EV(Discharge End Voltage): 2.75V per cell C=min capacity
Innenwiderstand/ impedance	:	-----
Nominalspannung/ nominal voltage	:	3.6 V
Standard Ladespannung/ standard charge voltage	:	4.2 V
Überladeschutzspannung/ over charge voltage detection	:	4.25 V ± 15mV
Wiedereinschaltspannung/ over charge release voltage	:	4.05 V ± 40mV
Entladeabschaltspannung/ over discharge detection voltage	:	2.8 V ± 40mV
Wiedereinschaltspannung/ over discharge release voltage	:	3.0 V ± 40mV
Nominaler Ladestrom/ nominal charge current	:	2.5A
Maximaler Ladestrom/ maximum charge current	:	5.0A
Ladeendstrom/ charge end current	:	50mA
Maximaler Entladestrom/ maximum discharge current	:	5.2 A
Entlade Abschaltstrom/ discharge cut off current	:	8.0 A ± 1.5 A
Kurzschlusschutz/ short circuit protection	:	gegen äußeren Kurzschluss/ against external short circuit
Rückstellkriterium/ release condition	:	Last trennen, Aktiv nach Anladen/ cut load, release after charging up
Anwendungstemperaturbereich/ ambient temperature range	:	0°C...+45°C charge -20°C...+60°C discharge -20°C...+25°C storage max. 1 year -20°C...+45°C storage max. 3months
Standards/ :	:	1. UN 3480, Subsection 38.3 All cells and batterypacks type tested according to UN manual of test and criteria subsection 38.3 2. IEC 62133-2:2017



batterypack covered with 1 layer of blue shrinktube



Remarks:
V2 modify list:
1. Update height to 68mm
2. Update Standards/IEC 62133-2:2017

Application range for inquiry		Allowable deviation general tolerances	Tolerance principle:	Model:	Material:
				Scale (DIN A2): 1:1	All dimensions in mm
				Weight: 94g	
		Date	Name	Drawing name	
		2024.06.03	Hong	Li-Ion-3.6V-5200mAh-PTC-1S2P-CH-BAK	
		Drawn by		Drawing number	
		Approved by		Part number	
V3	CN-25-5003 Update width to 21mm max	2025.03.04	Hong	2447-3033-60	
V2	Update ref remarks	2024.11.07	Hong	Sheet	
V1	Update ref remarks	2024.09.06	Hong	1/1	
V0	Create this file	2024.06.03	Hong		
Version	Change	Date	Name	Project:	Replaced by: Replacement through:



Looking for pricing, stock, or lifecycle information?

Click below to explore more details on WIN SOURCE:

- ⊖ [View 2447-3033-60-XX on WIN SOURCE](#)
- ⊖ [ANSMANN \(Huizhou\) Trading CO., LTD Information](#)

Optimize Your Supply Chain with WIN SOURCE Solutions

- ✓ Global Sourcing Solution
- ✓ Obsolete Management
- ✓ Cost Control Management
- ✓ Shortage Management
- ✓ Alternative Solution
- ✓ Excess Inventory Management