

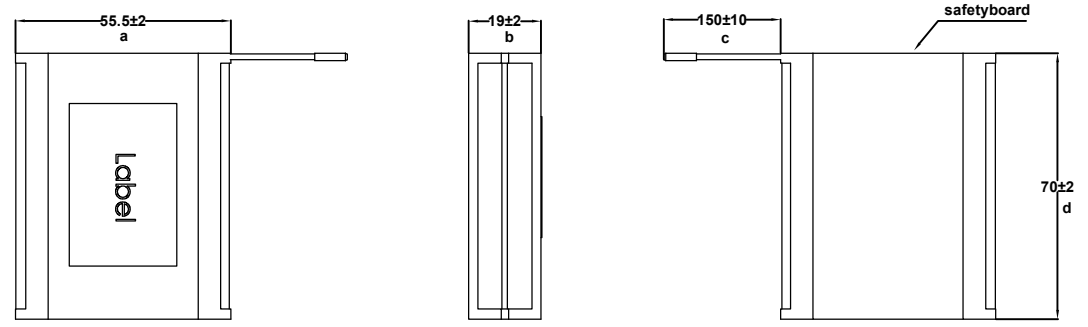
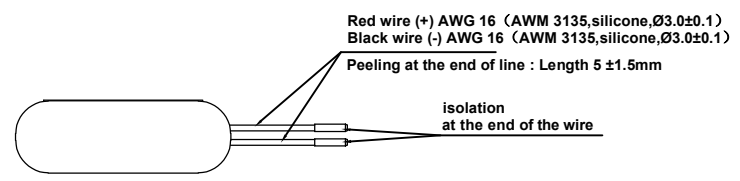
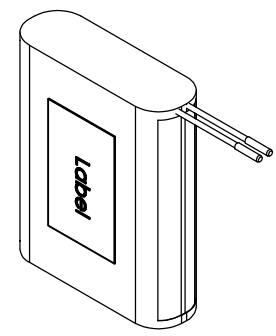


**THE DATASHEET OF**  
**2447-3034-40-XX**



This drawing may not be copied, reproduced or made available to third parties in any way whatsoever without or prior written approval.

Technische Daten/ technical data	:	Akkupack/ batterypack
Chemie/ chemistry	:	Lithium Ion
Zellenzahl/ no. of cells	:	3 Zellen/ cells INR18650-CP-BAK; 1S3P
Kapazität/ capacity	:	nom. 10.05Ah discharge at 0.2C min. 9.75Ah discharge at 0.2C ta:20°C; EV(Discharge End Voltage): 2.5V per cell C=min capacity
Nominalspannung/ nominal voltage	:	3.6V
Standard Ladespannung/ standard charge voltage	:	4.2 V
Überladeschutzspannung/ over charge voltage detection	:	4.275 V ± 50mV
Wiedereinschaltspannung/ over charge release voltage	:	4.075 V ± 65mV
Entladeabschaltspannung/ over discharge detection voltage	:	2.5 V ± 100mV
Wiedereinschaltspannung/ over discharge release voltage	:	2.9 V ± 100mV
Nominaler Ladestrom/ nominal charge current	:	4875 mA
Maximaler Ladestrom/ maximum charge current	:	9750 mA
Ladeendstrom/ charge end current	:	97.5 mA
Maximaler Entladestrom/ maximum discharge current	:	10.05 A
Entlade Abschaltstrom/ discharge cut off current	:	15.5 A ± 3.0 A
Kurzschlusschutz/ short circuit protection	:	gegen äußeren Kurzschluss/ against external short circuit
Rückstellkriterium/ release condition	:	Last trennen, Aktiv nach Anladen/ cut load, release after charging up
Anwendungstemperaturbereich/ ambient temperature range	:	0°C...+45°C charge -20°C...+60°C discharge -20°C...+25°C storage max. 1 year -20°C...+45°C storage max. 3months
Standards/	:	1. UN 3480, Subsection 38.3 All cells and batterypacks type tested according to UN manual of test and criteria subsection 38.3  2. IEC 62133-2:2017



batterypack covered with 1 layer of blue shrinktube



- Remarks:  
 V7 modify list:  
 1. Update height tolerance to ±2mm  
 2. Update Standards/IEC 62133-2:2017  
 3. Update cable information  
 4. Update drawing format

Application range for inquiry		Allowable deviation general tolerances	Tolerance principle:	Model:	Material:	Weight:
		DIN ISO 2768-m	ISO 8015	Scale (DIN A2): 1:1	All dimensions in mm	157g
		2022	Date	Name	Drawing name	
		Drawn by	08.03.	HONG	Li-Ion-3.6V-10.05Ah-1s3p-CP-BAK	
		Approved by			Drawing number Part number	
					2447-3034-40	
V3	Updated ref remark	2024.11.04	HONG			
V2	updated text font	2023.05.28	HONG			
V1	Add capacity information	2022.04.13	HONG			
V0	Create this DS	08.03.22	HONG			
Version	Change	Date	Name	Project: 710579	Replaced by:	Replacement through:



## Looking for pricing, stock, or lifecycle information?

Click below to explore more details on WIN SOURCE:

-  [View 2447-3034-40-XX on WIN SOURCE](#)
-  [ANSMANN \(Huizhou\) Trading CO., LTD Information](#)

## Optimize Your Supply Chain with WIN SOURCE Solutions

-  Global Sourcing Solution
-  Obsolete Management
-  Cost Control Management
-  Shortage Management
-  Alternative Solution
-  Excess Inventory Management