

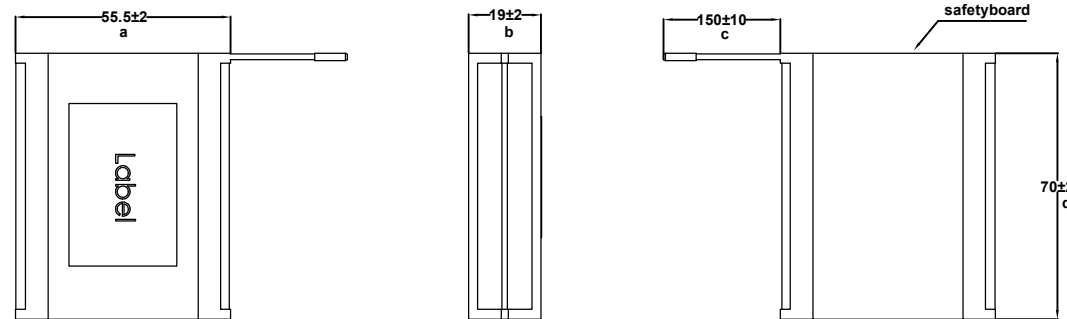
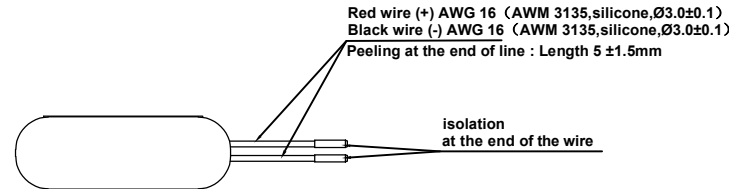
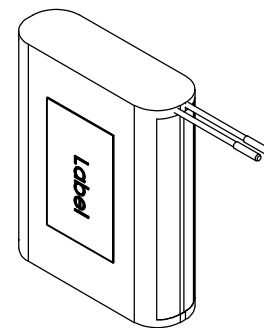


THE DATASHEET OF
2447-3034-50-XX



This drawing may not be copied, reproduced or made available to third parties in any way whatsoever without or prior written approval.

Technische Daten/ technical data	: Akkupack/ batterypack
Chemie/ chemistry	: Lithium Ion
Zellenzahl/ no. of cells	: 3 Zellen/ cells INR18650-CP-BAK; 1S3P
Kapazität/ capacity	: nom. 7650mAh discharge at 0.2C min. 7500mAh discharge at 0.2C ta:20°C; EV(Discharge End Voltage): 2.75V per cell C=min capacity
Nominalspannung/ nominal voltage	: 3.6V
Standard Ladespannung/ standard charge voltage	: 4.2 V
Überladeschutzspannung/ over charge voltage detection	: 4.275 V ± 50mV
Wiedereinschaltspannung/ over charge release voltage	: 4.075 V ± 65mV
Entladeabschaltspannung/ over discharge detection voltage	: 2.5 V ± 100mV
Wiedereinschaltspannung/ over discharge release voltage	: 2.9 V ± 100mV
Nominaler Ladestrom/ nominal charge current	: 3750 mA
Maximaler Ladestrom/ maximum charge current	: 7500 mA
Ladeendstrom/ charge end current	: 75 mA
Maximaler Entladestrom/ maximum discharge current	: 7.65 A
Entlade Abschaltstrom/ discharge cut off current	: 15.5 A ± 3.0 A
Kurzschlusschutz/ short circuit protection	: gegen äußeren Kurzschluss/ against external short circuit
Rückstellkriterium/ release condition	: Last trennen, Aktiv nach Anladen/ cut load, release after charging up
Anwendungstemperaturbereich/ ambient temperature range	: 0°C...+45°C charge -20°C...+60°C discharge -20°C...+25°C storage max. 1 year -20°C...+45°C storage max. 3months
Standards/	: 1. UN 3480, Subsection 38.3 All cells and batterypacks type tested according to UN manual of test and criteria subsection 38.3



batterypack covered with 1 layer of blue shrinktube

- Remarks:
 V7 modify list:
 1. Update height tolerance to ±2mm
 2. Update cable information
 3. Update drawing format

Application range for inquiry		Allowable deviation general tolerances	Tolerance principle:	Model:	Material:	Weight:
		DIN ISO 2768-m	ISO 8015	Scale (DIN A2): 1:1	All dimensions in mm	151g
		Date	Name	Drawing name		
		Drawn by 03.08	HONG	Li-Ion-3.6V-7650mAh-1s3p-CQ-BAK		
		Approved by		Drawing number Part number 2447-3034-50		
V3	Updated ref remark	2024.11.04	HONG			
V2	Updated text font	2023.05.26	HONG			
V1	Add capacity information	2022.4.13	HONG			
V0	Create this DS	2022.03.08	HONG			
Version	Change	Date	Name	Project: 710579	Replaced by:	Replacement through:
						Sheet 1/1

Looking for pricing, stock, or lifecycle information?

Click below to explore more details on WIN SOURCE:

- ⊖ [View 2447-3034-50-XX on WIN SOURCE](#)
- ⊖ [ANSMANN \(Huizhou\) Trading CO., LTD Information](#)

Optimize Your Supply Chain with WIN SOURCE Solutions

- ✓ Global Sourcing Solution
- ✓ Obsolete Management
- ✓ Cost Control Management
- ✓ Shortage Management
- ✓ Alternative Solution
- ✓ Excess Inventory Management