

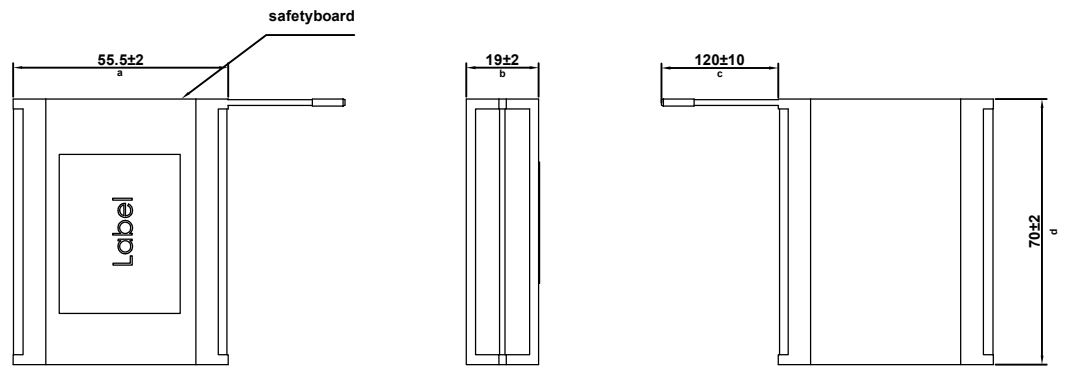
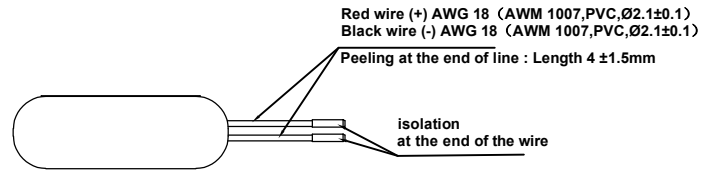
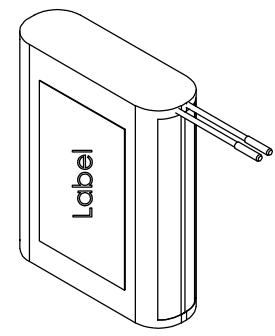


**THE DATASHEET OF  
2447-3034-60-XX**



This drawing may not be copied, reproduced or made available to third parties in any way whatsoever without or prior written approval.

Technische Daten/ technical data	:	Akkupack/ batterypack
Chemie/ chemistry	:	Lithium Ion
Zellenzahl/ no. of cells	:	3 Zellen/ cells INR18650-CH-BAK; 1S3P
Kapazität/ capacity	:	nom. 7800mAh discharge at 0.2C min. 7500mAh discharge at 0.2C ta:25°C; EV(Discharge End Voltage): 2.75V per cell C=min capacity
Innenwiderstand/ impedance	:	-----
Nominalspannung/ nominal voltage	:	3.6V
Standard Ladespannung/ standard charge voltage	:	4.2 V
Überladeschutzspannung/ over charge voltage detection	:	4.25 V ± 15mV
Wiedereinschaltspannung/ over charge release voltage	:	4.05 V ± 40mV
Entladeabschaltspannung/ over discharge detection voltage	:	2.8 V ± 40mV
Wiedereinschaltspannung/ over discharge release voltage	:	3.0 V ± 40mV
Nominaler Ladestrom/ nominal charge current	:	3.75A
Maximaler Ladestrom/ maximum charge current	:	7.5A
Ladeendstrom/ charge end current	:	75mA
Maximaler Entladestrom/ maximum discharge current	:	7.8 A
Entlade Abschaltstrom/ discharge cut off current	:	11.5 A ± 2.5 A
Kurzschlusschutz/ short circuit protection	:	gegen äußeren Kurzschluss/ against external short circuit
Rückstellkriterium/ release condition	:	Last trennen, Aktiv nach Anladen/ cut load, release after charging up
Anwendungstemperaturbereich/ ambient temperature range	:	0°C...+45°C charge -20°C...+60°C discharge -20°C...+25°C storage max. 1 year -20°C...+45°C storage max. 3months
Standards/ standards	:	1. UN 3480, Subsection 38.3 All cells and batterypacks type tested according to UN manual of test and criteria subsection 38.3 2. IEC 62133-2:2017



batterypack covered with 1 layer of blue shrinktube

Application range for inquiry		Allowable deviation general tolerances		Tolerance principle:		Model: Scale (DIN A2): 1:1		Material: All dimensions in mm		Weight: 142g	
						Date 2024.06.03		Name Hong		Drawing name	
						Approved by				Li-Ion-3.6V-7800mAh-1s3p-CH-BAK	
V2 Update Standards		2024.11.16		Hong						Drawing number Part number 2447-3034-60	
V1 Update ref remarks		2024.01.26		Hong						Sheet 1/1	
V0 Create this file		2024.06.03		Hong							
Version Change		Date Name		Project:		Replaced by:		Replacement through:			



## Looking for pricing, stock, or lifecycle information?

Click below to explore more details on WIN SOURCE:

- ⊖ [View 2447-3034-60-XX on WIN SOURCE](#)
- ⊖ [ANSMANN \(Huizhou\) Trading CO., LTD Information](#)

## Optimize Your Supply Chain with WIN SOURCE Solutions

- ✓ Global Sourcing Solution
- ✓ Obsolete Management
- ✓ Cost Control Management
- ✓ Shortage Management
- ✓ Alternative Solution
- ✓ Excess Inventory Management