

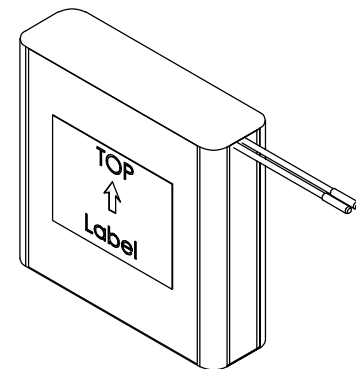
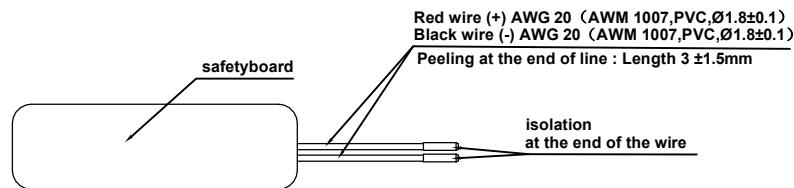
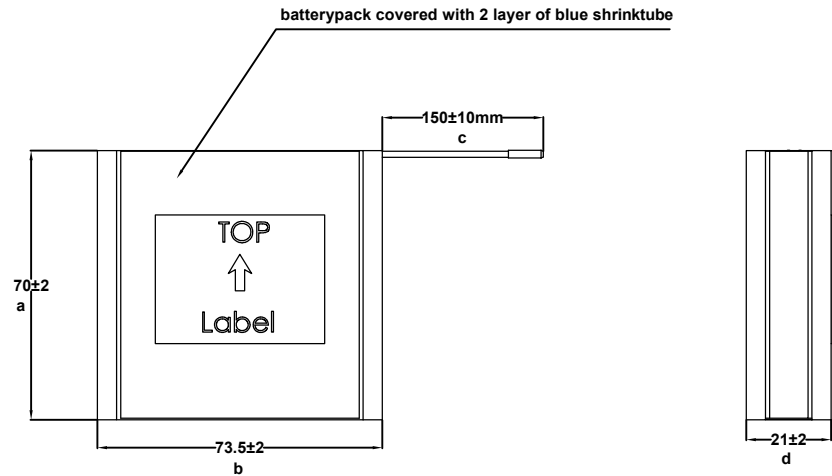


THE DATASHEET OF
2447-3043-40-XX



This drawing may not be copied, reproduced or made available to third parties in any way whatsoever without or prior written approval.

Technische Daten/ technical data	:	Akkupack/ batterypack
Chemie/ chemistry	:	Lithium Ion
Zellenzahl/ no. of cells	:	4 Zellen/ cells INR18650-CP-Bak; 2S2P
Kapazität/ capacity	:	Nom. 6700mAh discharge at 0.2C Min. 6500mAh discharge at 0.2C ta:25°C; EV(Discharge End Voltage): 2.5V per cell C=min capacity
impedance	:	
Nominalspannung/ nominal voltage	:	7.2V
Standard Ladespannung/ standard charge voltage	:	8.4 V ± 1%
Überladeschutzspannung/ over charge voltage detection	:	8.5 V ± 50mV
Wiedereinschaltspannung/ over charge release voltage	:	8.1 V ± 100mV
Entladeabschaltspannung/ over discharge detection voltage	:	5.0 V ± 160mV
Wiedereinschaltspannung/ over discharge release voltage	:	6.0 V ± 200mV
Nominaler Ladestrom/ nominal charge current	:	3.25 A
Maximaler Ladestrom/ maximum charge current	:	6.5 A
Ladeendstrom/ charge end current	:	65 mA
Maximaler Entladestrom/ maximum discharge current	:	6.7 A
Entlade Abschaltstrom/ discharge cut off current	:	10.0 A ± 2.0 A
Kurzschlusschutz/ short circuit protection	:	gegen äußeren Kurzschluss/ against external short circuit
Rückstellkriterium/ release condition	:	Last trennen, Aktiv nach Anladen/ cut load, release after charging up
Anwendungstemperaturbereich/ ambient temperature range	:	0°C...+45°C charge -20°C...+60°C discharge -20°C...+25°C storage max. 1 year -20°C...+45°C storage max. 3months
Standards/	:	1.UN 3480, Subsection 38.3 All cells and batterypacks type tested according to UN manual of test and criteria subsection 38.3



Remarks:

- V4 modify list:**
1. Update drawing format
 2. Update tolerance of size
 3. Add cable information
- V5. modify list:**
- 1.Update standards
 - 2.Update parameter
- V6. modify list:**
- 1.Shrinktube change to 2 layer
 - 2.Modify width to 21mm

Application range for inquiry		Allowable deviation general tolerances		Tolerance principle:		Model:		Material:	
						Scale (DIN A2): 1:1		All dimensions in mm	
		2025		Date		Name		Weight: 211g	
		2025.04.30		2025.01.13		HONG			
V6 Updated remark		2025.04.30		HONG		HONG		Drawing name	
V5 Updated remark		2024.11.04		HONG		HONG		Li-Ion-7.2V-6700mAh-2s2p-CP-BAK	
V4 Updated remark		2024.11.04		HONG		HONG		Drawing number	
V3 Update the width dim to 22		2023.06.26		HONG		HONG		Part number	
V2 Modify parameter remark		2022.01.13		HONG		HONG		2447-3043-40	
V1 Updated parameter		2021.12.27		HONG		HONG		Sheet	
V0 Create this DS		23.02.21		MST		MST		1/1	
Version		Change		Date		Name		Project: 710579	
								Replaced by:	
								Replacement through:	

Looking for pricing, stock, or lifecycle information?

Click below to explore more details on WIN SOURCE:

- ⊖ [View 2447-3043-40-XX on WIN SOURCE](#)
- ⊖ [ANSMANN \(Huizhou\) Trading CO., LTD Information](#)

Optimize Your Supply Chain with WIN SOURCE Solutions

- ✓ Global Sourcing Solution
- ✓ Obsolete Management
- ✓ Cost Control Management
- ✓ Shortage Management
- ✓ Alternative Solution
- ✓ Excess Inventory Management