

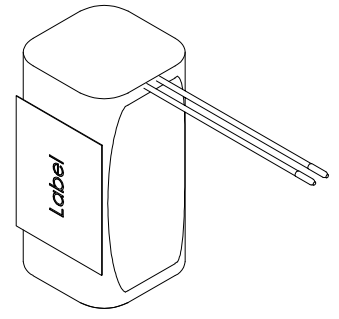
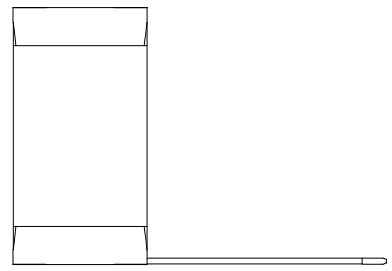
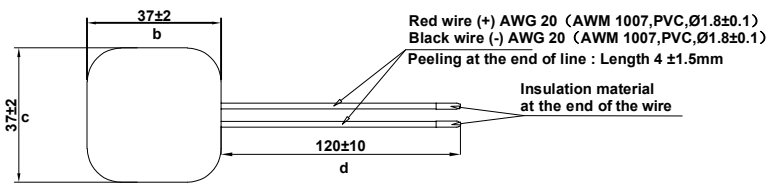
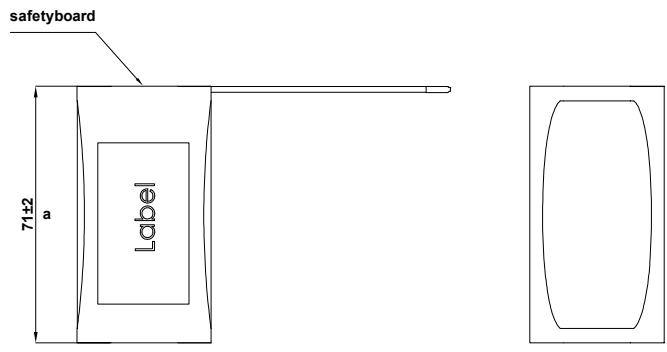


**THE DATASHEET OF
2447-3049-60-XX**



The supplier acknowledges that, with the acceptance of this drawing, he is in a position to manufacture the illustrated part in accordance with the drawing in reproducible quantities. He is not responsible for any errors or omissions in the drawing. The drawing is not to be used for the manufacture of parts without the written approval of the purchaser. The drawing may not be copied, reproduced or made available to third parties in any way whatsoever without or prior written approval.

Technische Daten/ technical data	: Akkupack/ batterypack
Chemie/ chemistry	: Lithium Ion
Zellenzahl/ no. of cells	: 4 Zellen/ cells INR18650-CH-Bak; 2S2P
Kapazität/ capacity	: Nom. 5200mAh discharge at 0.2C Min. 5000mAh discharge at 0.2C ta:25°C; EV(Discharge End Voltage): 2.75V per cell C=min capacity
Innenwiderstand/ impedance	: -----
Nominalspannung/ nominal voltage	: 7.2V
Standard Ladespannung/ standard charge voltage	: 8.4 V ± 1%
Überladeschutzspannung/ over charge voltage detection	: 8.45 V ± 50mV
Wiedereinschaltspannung/ over charge release voltage	: 8.05 V ± 100mV
Entladeabschaltspannung/ over discharge detection voltage	: 5.4 V ± 160mV
Wiedereinschaltspannung/ over discharge release voltage	: 6.0 V ± 200mV
Nominaler Ladestrom/ nominal charge current	: 2.5 A
Maximaler Ladestrom/ maximum charge current	: 5.0 A
Ladeendstrom/ charge end current	: 50 mA
Maximaler Entladestrom/ maximum discharge current	: 5.2 A
Entlade Abschaltstrom/ discharge cut off current	: 10.0 A ± 2.0 A
Kurzschlusschutz/ short circuit protection	: gegen äußeren Kurzschluss/ against external short circuit
Rückstellkriterium/ release condition	: Last trennen, Aktiv nach Anladen/ cut load, release after charging up
Anwendungstemperaturbereich/ ambient temperature range	: 0°C...+45°C charge -20°C...+60°C discharge -20°C...+25°C storage max. 1 year -20°C...+45°C storage max. 3months
Standards/ standards	: 1. UN 3480, Subsection 38.3 All cells and batterypacks type tested according to UN manual of test and criteria subsection 38.3 2. IEC 62133-2:2017



batterypack covered with 2 layer of blue shrinktube

Allowable deviation general tolerances		Surface:	Material:	Weight
			Scale (DIN A2): 1:1	1 187g
		Date: 2024.07.12	Projection method:	
		Name: Hong	Product name: Li-Ion-7.2V-5200mAh-2s2p-Block-PTC-CH	
		Drawn by: 2024.07.12	Part number: 2447-3049-60	Project: 710579
		Changed by:	Application range for inquiry	
			Sheet 1/1	
V2	Update Standards	2024-11-18		
V1	Update ref remarks	2024-08-22		
V0	Created this D/S	2024-07-12		
Version	Change	Date Name		

Looking for pricing, stock, or lifecycle information?

Click below to explore more details on WIN SOURCE:

- ⊖ [View 2447-3049-60-XX on WIN SOURCE](#)
- ⊖ [ANSMANN \(Huizhou\) Trading CO., LTD Information](#)

Optimize Your Supply Chain with WIN SOURCE Solutions

- ✓ Global Sourcing Solution
- ✓ Obsolete Management
- ✓ Cost Control Management
- ✓ Shortage Management
- ✓ Alternative Solution
- ✓ Excess Inventory Management