

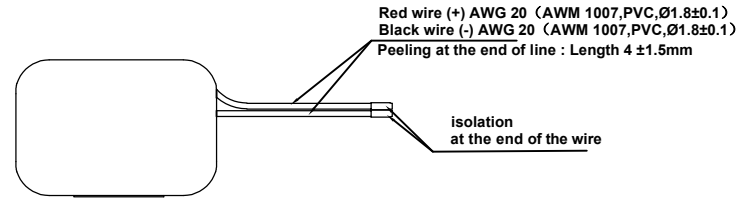
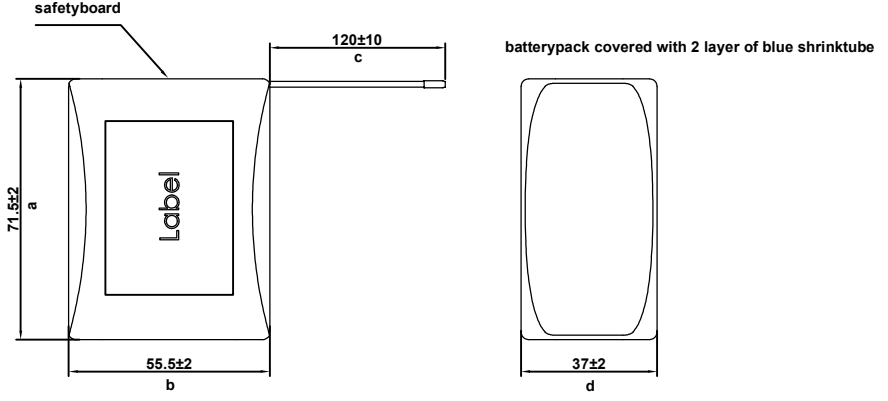


**THE DATASHEET OF
2447-3050-60-XX**



This drawing may not be copied, reproduced or made available to third parties in any way whatsoever without or prior written approval.

Technische Daten/ technical data	: Akkupack/ batterypack
Chemie/ chemistry	: Lithium Ion
Zellenzahl/ no. of cells	: 6 Zellen/ cells INR18650-CH-BAK; 3S2P
Kapazität/ capacity	: nom. 5200mAh discharge at 0.2C min. 5000mAh discharge at 0.2C ta:25°C; EV(Discharge End Voltage): 2.75V per cell C=nom capacity
Innenwiderstand/ impedance	: -----
Nominalspannung/ nominal voltage	: 10.8V
Standard Ladespannung/ standard charge voltage	: 12.6 V
Überladeschutzspannung/ over charge voltage detection	: 12.6 V ± 105mV
Wiedereinschaltspannung/ over charge release voltage	: 12.3 V ± 150mV
Entladeabschaltspannung/ over discharge detection voltage	: 8.1 V ± 240mV
Wiedereinschaltspannung/ over discharge release voltage	: 9.0 V ± 300mV
Nominaler Ladestrom/ nominal charge current	: 2.6 A
Maximaler Ladestrom/ maximum charge current	: 5.2 A
Ladeendstrom/ charge end current	: 52 mA
Maximaler Entladestrom/ maximum discharge current	: 5.2 A
Entlade Abschaltstrom/ discharge cut off current	: 11.1 A ± 2.0 A
Kurzschlusschutz/ short circuit protection	: gegen äußeren Kurzschluss/ against external short circuit
Rückstellkriterium/ release condition	: Last trennen, Aktiv nach Anladen/ cut load, release after charging up
Anwendungstemperaturbereich/ ambient temperature range	: 0°C...+45°C charge -20°C...+60°C discharge -20°C...+25°C storage max. 1 year -20°C...+45°C storage max. 3months
Standards/	: 1. UN 3480, Subsection 38.3 All cells and batterypacks type tested according to UN manual of test and criteria subsection 38.3 2. IEC 62133-2:2017



Application range for inquiry		Allowable deviation general tolerances	Tolerance principle:	Model:	Material:
				Scale (DIN A2): 1:1	All dimensions in mm
				Weight: 280g	
		Date	Name	Drawing name	
		2024.06.03	Hong	Li-Ion-10.8V-5200mAh-3s2p-CH-BAK	
		Drawn by	Approved by	Drawing number	
				Part number	
				2447-3050-60	
				Sheet	
				1/1	
Version	Change	Date	Name	Project:	Replaced by:
					Replacement through:



Looking for pricing, stock, or lifecycle information?

Click below to explore more details on WIN SOURCE:

- ⊖ [View 2447-3050-60-XX on WIN SOURCE](#)
- ⊖ [ANSMANN \(Huizhou\) Trading CO., LTD Information](#)

Optimize Your Supply Chain with WIN SOURCE Solutions

- ✓ Global Sourcing Solution
- ✓ Obsolete Management
- ✓ Cost Control Management
- ✓ Shortage Management
- ✓ Alternative Solution
- ✓ Excess Inventory Management