



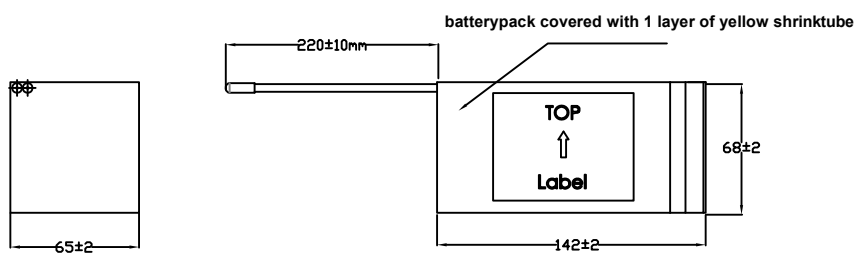
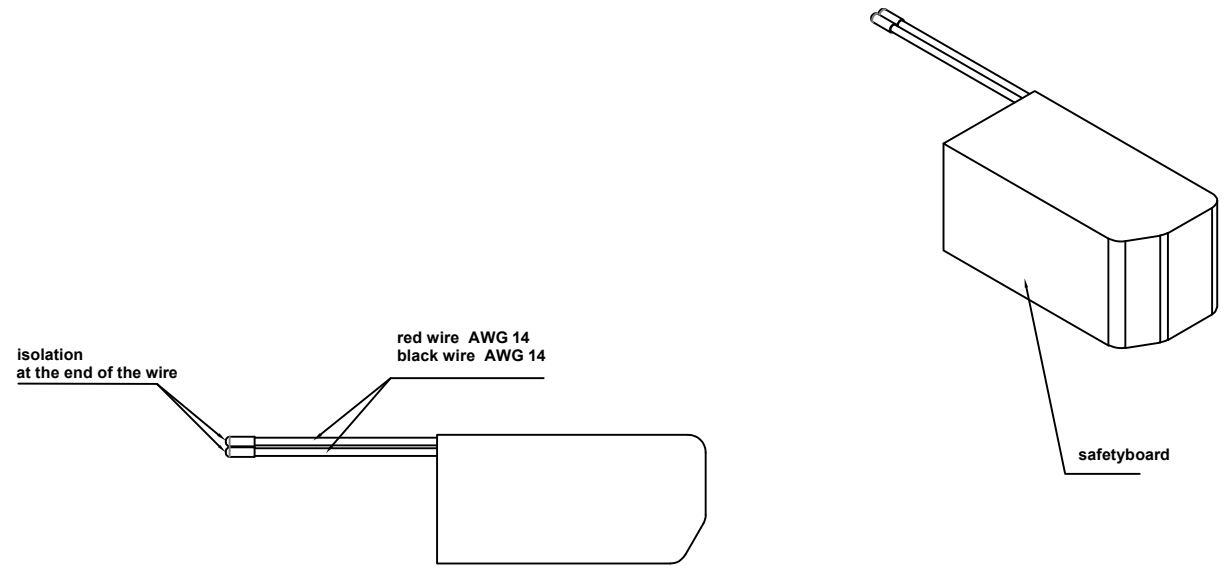
THE DATASHEET OF
2447-3056-40-XX



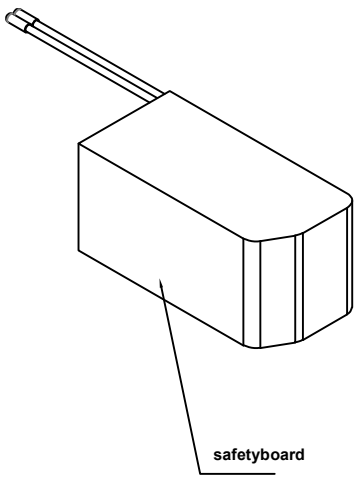
This drawing may not be copied, reproduced or made available to third parties in any way whatsoever without or prior written approval.

Technische Daten/ technical data	:	Akkupack/ battery pack
Chemie/ chemistry	:	Lithium Ion
Zellenzahl/ no. of cells	:	24 Zellen/ cells INR18650-CP-BAK; 4S6P
Kapazität/ capacity	:	nom. 20.1Ah discharge at 0.2C min. 19.5Ah discharge at 0.2C ta:20°C; EV(Discharge End Voltage): 2.5V per cell
		C=min capacity
Innenwiderstand/ impedance	:	-----
Nominalspannung/ nominal voltage	:	14.4V
Standard Ladespannung/ standard charge voltage	:	16.8V±1%
Standard Entladespannung/ standard discharge voltage	:	10V
Nominaler Ladestrom/ nominal charge current	:	9.75A
Maximaler Ladestrom/ maximum charge current	:	19.5A
Ladeendstrom/ charge end current	:	0.195A
Maximaler Entladestrom/ maximum discharge current	:	20.1A
Anwendungstemperaturbereich/ ambient temperature range	:	0°C...+45°C charge -20°C...+60°C discharge -20°C...+20°C storage max. 1 year -20°C...+45°C storage max. 3months
Selbstentladung/ self discharge	:	≤ 5% / month at20°C ≤ 10% / month at30°C ≤ 20% / month at40°C
Standards/	:	-----

Technische Daten/ technical data	:	Sicherheitsschaltung/ safety board
Überladeschutzspannung/ over charge voltage detection	:	4.25V±40mV per cell
Wiedereinschaltspannung/ over charge release voltage	:	4.19V±50mV per cell
Entladeabschaltspannung/ over discharge detection voltage	:	2.5V±80mV per cell
Wiedereinschaltspannung/ over discharge release voltage	:	2.7V±100mV per cell
Nominaler Lade/Entladestrom/ nominal operating current	:	20.1A
Entlade Abschaltstrom/ discharge cut off current	:	57.1A ±15%
Kurzschlusschutz/ short circuit protection	:	gegen äußeren Kurzschluss/ against external short circuit
Temperaturschalter/ temperature switch	:	-----
MOSFET	:	im Pluszweig/ in positive path
Rückstellkriterium/ release condition	:	Last trennen, Aktiv nach Anladen/ cut load, release after charging up
Nettogewicht/ net weight	:	-----
Leiterplattenmaterial/ pcb material	:	FR4
Standards	:	CE



Application range for inquiry		Allowable deviation general tolerances		Tolerance principle:		Model:		Material:	
		DIN ISO 2768-m		ISO 8015		Scale (DIN A2):		All dimensions in mm	
		2021		Date		Name		Weight:	
		Drawn by		01.26		HONG		Drawing name	
		Approved by						Li-Ion-14.4V-20.1Ah-4s6p-CP-BAK	
V3 updated text font		2022.07.07		HONG				Drawing number	
V2 Add capacity information		2022.04.13		HONG				Part number	
V1 Modify parameter remark		2022.03.03		HONG				2447-3056-40	
V0 Create this data		2022.01.26		HONG				Sheet	
Version		Change		Date		Name		Project: 710579	
								Replaced by:	
								Replacement through:	



Looking for pricing, stock, or lifecycle information?

Click below to explore more details on WIN SOURCE:

- ⊖ [View 2447-3056-40-XX on WIN SOURCE](#)
- ⊖ [ANSMANN \(Huizhou\) Trading CO., LTD Information](#)

Optimize Your Supply Chain with WIN SOURCE Solutions

- ✓ Global Sourcing Solution
- ✓ Obsolete Management
- ✓ Cost Control Management
- ✓ Shortage Management
- ✓ Alternative Solution
- ✓ Excess Inventory Management