



**THE DATASHEET OF  
2447-3056-50-XX**



This drawing may not be copied, reproduced or made available to third parties in any way whatsoever without or prior written approval.

The supplier acknowledges that, with the acceptance of the drawing, he is in a position to manufacture the illustrated part in accordance with the drawing in reproducible form and in production. In doing so, the manufacturer is responsible for the material and structure which could subsequently lead to an impairment of the properties. The manufacturer is not responsible for any damage caused by the use of the drawing.

**Technische Daten/ technical data** : Akkupack/ battery pack  
**Chemie/ chemistry** : Lithium Ion  
**Zellenzahl/ no. of cells** : 24 Zellen/ cells INR18650-CQ-BAK; 4S6P  
**Kapazität/ capacity** : nom. 15.3Ah discharge at 0.2C  
 min. 15.0Ah discharge at 0.2C  
 ta:20°C; EV(Discharge End Voltage): 2.75V per cell

C=min capacity

**Innenwiderstand/ impedance** : -----  
**Nominalspannung/ nominal voltage** : 14.4V  
**Standard Ladespannung/ standard charge voltage** : 16.8V±1%  
**Standard Entladespannung/ standard discharge voltage** : 11.0V  
**Nominaler Ladestrom/ nominal charge current** : 7.5A  
**Maximaler Ladestrom/ maximum charge current** : 15.0A  
**Ladeendstrom/ charge end current** : 0.15A  
**Maximaler Entladestrom/ maximum discharge current** : 15.3A  
**Anwendungstemperaturbereich/ ambient temperature range** :  
 0°C...+45°C charge  
 -20°C...+60°C discharge  
 -20°C...+25°C storage max. 1 year  
 -20°C...+45°C storage max. 3months

**Selbstentladung/ self discharge** :  
 5% / month at20°C  
 10% / month at30°C  
 20% / month at40°C

**Standards/** : UN 3480, Subsection 38.3  
 All cells and battery packs type tested according to UN manual of test and criteria subsection 38.3

**Technische Daten/ technical data** : Sicherheitsschaltung/ safety board

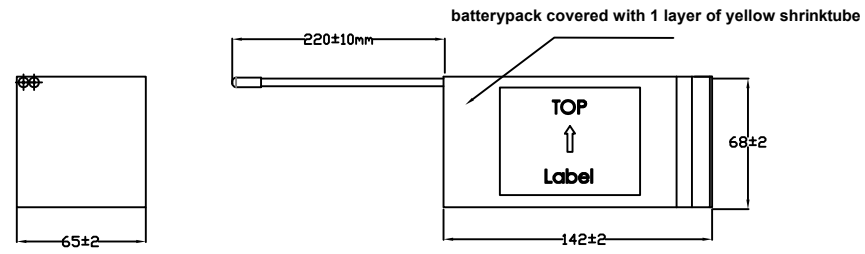
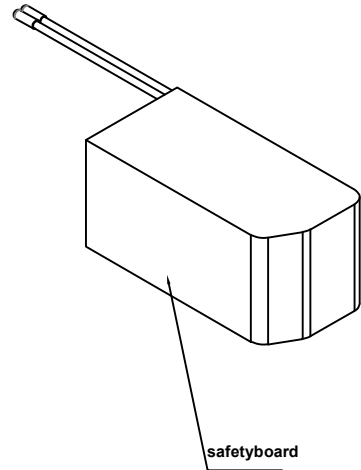
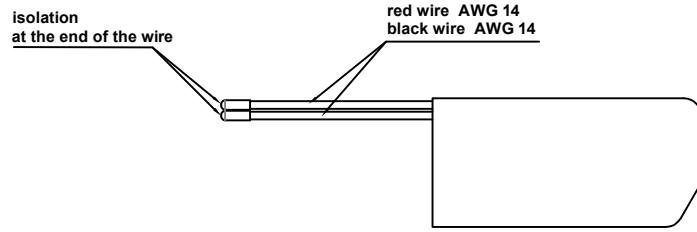
**Überladeschutzspannung/ over charge voltage detection** : 4.25V±40mV per cell  
**Wiedereinschaltspannung/ over charge release voltage** : 4.19V±50mV per cell  
**Entladeabschaltspannung/ over discharge detection voltage** : 2.5V±80mV per cell  
**Wiedereinschaltspannung/ over discharge release voltage** : 2.7V±100mV per cell  
**Nominaler Lade/Entladestrom/ nominal operating current** : 20.1A  
**Entlade Abschaltstrom/ discharge cut off current** : 57.1A±15%  
**Kurzschlusschutz/ short circuit protection** : gegen äußeren Kurzschluss/ against external short circuit

**Temperaturerhalter/ temperature switch** : -----  
**MOSFET** : im Pluszweig/ in positive path

**Rückstellkriterium/ release condition** : Last trennen, Aktiv nach Anladen/ cut load, release after charging up

**Nettogewicht/ net weight** : -----  
**Leiterplattenmaterial/ pcb material** : FR4

**Standards** : CE



Application range for inquiry		Allowable deviation general tolerances		Tolerance principle:		Model:		Material:	
		DIN ISO 2768-m		ISO 8015		Scale (DIN A2):		All dimensions in mm	
		2021		Date		Name		Weight:	
		Drawn by		01.26		HONG		Drawing name	
		Approved by						Li-Ion-14.4V-15.3Ah-4s6p-CQ-BAK	
V3	updated text font	2022.07.07	HONG					Drawing number	
V2	Add capacity information	2022.04.13	HONG					Part number	
V1	Modify parameter remark	2022.03.03	HONG					2447-3056-50	
V0	Create this data	2022.01.26	HONG					Sheet	
Version	Change	Date	Name	Project: 710579		Replaced by:		Replacement through:	



## Looking for pricing, stock, or lifecycle information?

Click below to explore more details on WIN SOURCE:

- ⊖ [View 2447-3056-50-XX on WIN SOURCE](#)
- ⊖ [ANSMANN \(Huizhou\) Trading CO., LTD Information](#)

## Optimize Your Supply Chain with WIN SOURCE Solutions

- ✓ Global Sourcing Solution
- ✓ Obsolete Management
- ✓ Cost Control Management
- ✓ Shortage Management
- ✓ Alternative Solution
- ✓ Excess Inventory Management