



MMIC SURFACE MOUNT

Monolithic Amplifier

MAR-4+

Mini-Circuits

50Ω DC to 1 GHz

FEATURES

- Wideband, DC to 1 GHz
- High IP3, +25.5 dBm Typ.
- Internally Matched to 50Ω
- Low Noise Figure, 7.0 dB Typ.
- Exact Footprint Substitute for MSA-0485
- Cascadable, Unconditionally Stable
- Aqueous Washable
- Protected by US Patent 6,943,629



Generic photo used for illustration purposes only

CASE STYLE: VV105

+RoHS Compliant

The +Suffix identifies RoHS Compliance. See our website for methodologies and qualifications

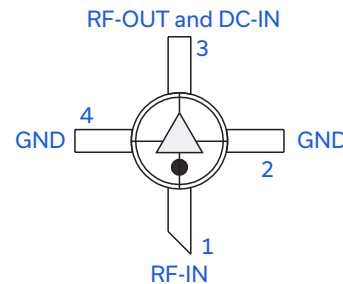
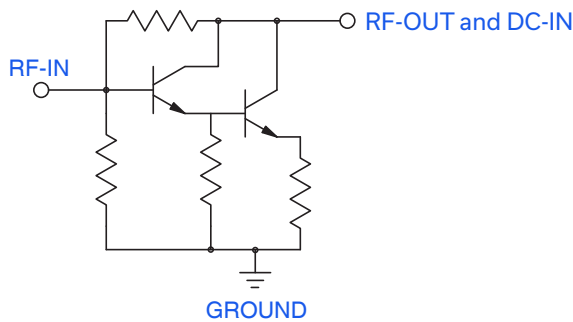
APPLICATIONS

- Cellular
- PCN Instrumentation

PRODUCT OVERVIEW

MAR-4+ (RoHS compliant) is a wideband amplifier offering high dynamic range. It has repeatable performance from lot to lot. It is enclosed in a Micro-X package. MAR-4+ uses Darlington configuration and is fabricated using InGaP HBT technology. Expected MTTF is 1,000 years at +85°C case temperature.

SIMPLIFIED SCHEMATIC AND PIN DESCRIPTION



Function	Pin Number	Description
RF-IN	1	RF input pin. This pin requires the use of an external DC blocking capacitor chosen for the frequency of operation.
RF-OUT and DC-IN	3	RF output and bias pin. DC voltage is present on this pin; therefore a DC blocking capacitor is necessary for proper operation. An RF choke is needed to feed DC bias without loss of RF signal due to the bias connection, as shown in "Recommended Application Circuit".
GND	2,4	Connections to ground. Use via holes as shown in "Suggested Layout for PCB Design" to reduce ground path inductance for best performance.

REV. D
ECO-024824
MAR-4+
MCL NY
250311





ELECTRICAL SPECIFICATIONS AT +25°C AND 50 mA UNLESS NOTED OTHERWISE

Parameter	Conditions (GHz)	Min.	Typ. ¹	Max.	Units
Frequency Range ²		DC		1	GHz
Gain	0.1		8.3		dB
	1	7.0 ³	8.0		
Input Return Loss	DC - 1		14		dB
Output Return Loss	DC - 1		10		dB
Output Power @ 1 dB Compression	1		+12.5		dBm
Output IP3	1		+25.5		dBm
Noise Figure	1		6.0		dB
Recommended Device Operating Current			50		mA
Device Operating Voltage			+5.25		V
Device Voltage Variation vs. Temperature at 50 mA			-2.2		mV/°C
Device Voltage Variation vs. Current at +25°C			23		mV/mA
Thermal Resistance, Junction-to-Case ⁴			152		°C/W

1. Based on test data of Model MAR-4SM+ (Case Style WW107).

2. Guaranteed specification DC-1 GHz. Low frequency cut off determined by external coupling capacitors.

3. Full temperature range.

4. Case is defined as ground leads.

ABSOLUTE MAXIMUM RATINGS

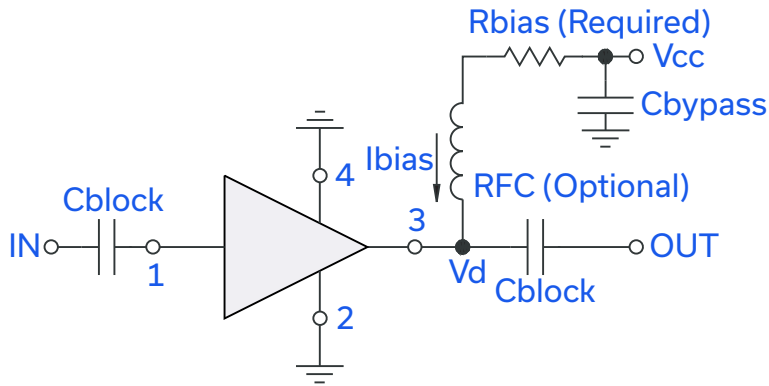
Parameter	Ratings
Operating Temperature	-40°C to +85°C
Storage Temperature	-55°C to +100°C
Operating Current	85 mA
Power Dissipation	500 mW
Input Power	+13 dBm

Permanent damage may occur if any of these limits are exceeded. These ratings are not intended for continuous normal operation.



Monolithic Amplifier

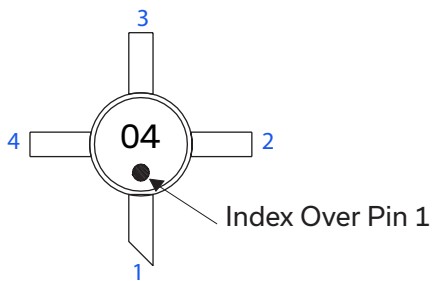
RECOMMENDED APPLICATION CIRCUIT



Test Board includes case, connectors, and components (in bold) soldered to PCB

R BIAS	
Vcc	"1%" Res. Values (Ohms) for Optimum Biasing
7	34.8
8	54.9
9	75
10	95.3
11	115
12	133
13	154
14	174
15	196

PRODUCT MARKING



Markings in addition to model number designation may appear for internal quality control purposes.



ADDITIONAL DETAILED TECHNICAL INFORMATION IS AVAILABLE ON OUR DASHBOARD. [CLICK HERE](#)

Performance Data & Graphs	Data Table
	Swept Graphs
	S-Parameter Data Set (.zip file)
Case Style	VV105 Plastic micro-x package, 0.085 body diameter, Lead Finish: Matte-Tin
Tape & Reel	F4
Suggested Layout for PCB Design	PL-262
Evaluation Board	TB-432-4+
Environmental Ratings	ENV08T3

ESD RATING

Human Body Model (HBM): Class 1B (500 V to < 1000 V) in accordance with ANSI/ESD STM 5.1 - 2001

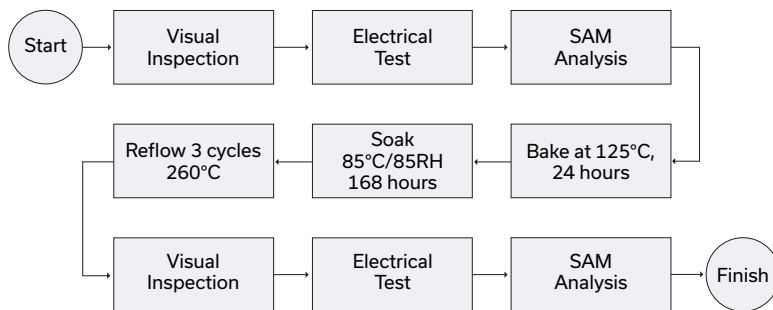
Machine Model (MM): Class M1 (< 100 V) in accordance with ANSI/ESD STM 5.2 - 1999

MSL RATING

Moisture Sensitivity: MSL1 in accordance with IPC/JEDECJ-STD-020C

No.	Test Required	Condition	Standard	Quantity
1	Visual Inspection	Low Power Microscope Magnification 40x	MIP-IN-0003 (MCT spec)	45 units
2	Electrical Test	Room Temperature	SCD (MCL spec)	45 units
3	SAM Analysis	Less than 10% growth in term of delamination	J-Std-020C (Jedec Standard)	45 units
4	Moisture Sensitivity Level 1	Bake at 125°C for 24 hours Soak at 85°C/85%RH for 168 hours Reflow 3 cycles at 260°C peak	J-Std-020C (Jedec Standard)	45 units

MSL TEST FLOW CHART





NOTES

- A. Performance and quality attributes and conditions not expressly stated in this specification document are intended to be excluded and do not form a part of this specification document.
- B. Electrical specifications and performance data contained in this specification document are based on Mini-Circuits' applicable established test performance criteria and measurement instructions.
- C. The parts covered by this specification document are subject to Mini-Circuits' standard limited warranty and terms and conditions (collectively, "Standard Terms"); Purchasers of this part are entitled to the rights and benefits contained therein. For a full statement of the standard terms and the exclusive rights and remedies thereunder, please visit Mini-Circuits' website at www.minicircuits.com/terms/viewterm.html

Looking for pricing, stock, or lifecycle information?

Click below to explore more details on WIN SOURCE:

-  [View MAR-4+](#) on WIN SOURCE
-  [Mini-Circuits](#) Information

Optimize Your Supply Chain with WIN SOURCE Solutions

-  Global Sourcing Solution
-  Obsolete Management
-  Cost Control Management
-  Shortage Management
-  Alternative Solution
-  Excess Inventory Management