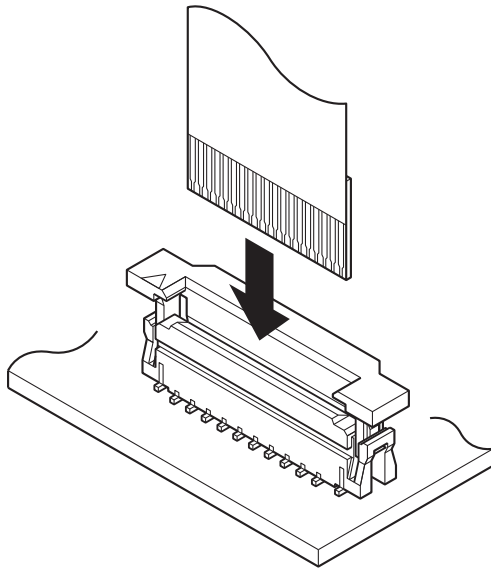


FLZT CONNECTOR

0.5 mm pitch/ Connectors for board-to-FPC/ ZIF type



This is a vertical connector for 0.5 mm pitch FPC. The solder tails are arranged in a staggered pattern. Both normal and reverse types are available.

- Zero Insertion Force (ZIF) connection
- Easy for SMT board design
- Heat-resistant design optimal for surface mount technology

■ Specifications

- Current rating: 0.5 A AC/DC
- Voltage rating: 50 V AC/DC
- Temperature range: -25°C to +85°C
(including temperature rise in applying electrical current)
- Contact resistance:
 - Initial value/ 20 mΩ max.
 - After environmental tests/ 40 mΩ max.
- Insulation resistance: 100 MΩ min.
- Withstanding voltage:
 - There shall be no breakdown or flashover while applying 200 VAC for one minute.
- Applicable FPC:
 - Conductor pitch/ 0.5 ± 0.03 mm
 - Conductor width/ 0.35 ± 0.04 mm
 - Thickness of contact area/ 0.3 ± 0.05 mm
- * Please refer to the "Handling Precautions for Terminals and Connectors" on our website (listed in the "Technical Documents" column on the Product Information page) before use.
- * RoHS2 compliance
- * Dimensional unit: mm
- * Contact JST for details.

■ Standards

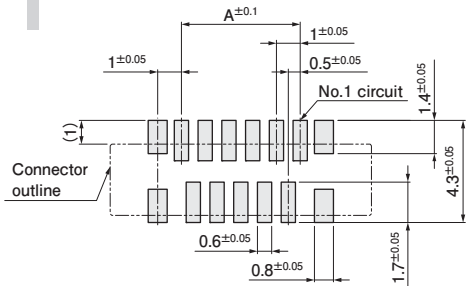
For information on overseas standard registrations, please refer to the "List of Registered Overseas Standards" on our website (listed in the "Technical Documents" column on the Product Information page).

- * Specifications registered to overseas standards may differ from the general specifications listed above.

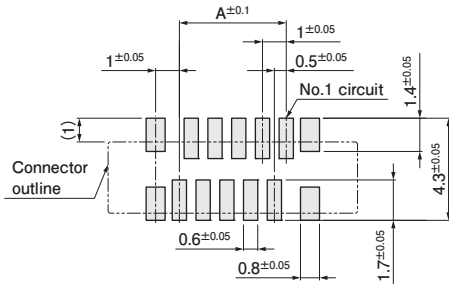
FLZT CONNECTOR

PC board layout and Assembly layout

Normal type

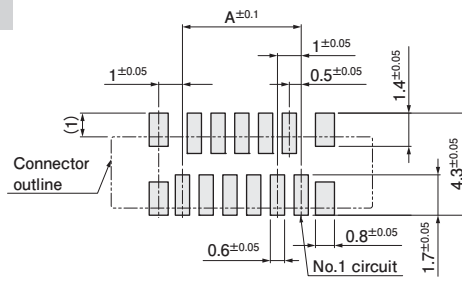


Odd-numbered circuit products

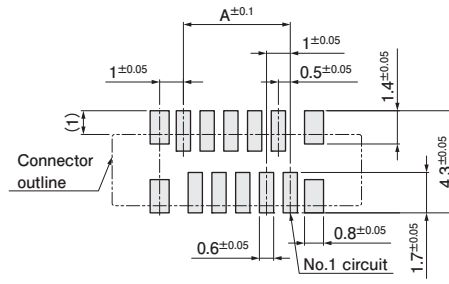


Even-numbered circuit products

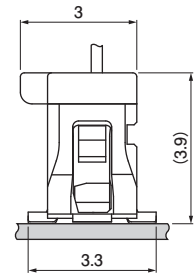
Reverse type



Odd-numbered circuit products



Even-numbered circuit products



Note: 1. The PC board layout figure shown is viewed from the connector mounting surface.

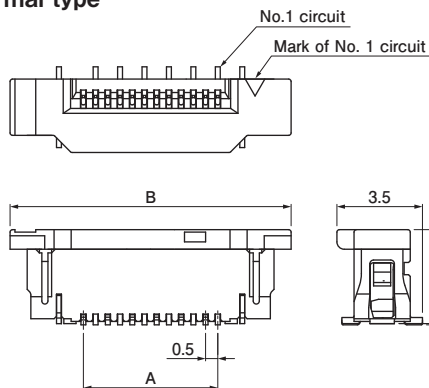
2. Dimensions A: See "Connector" section on page 2.

3. Tolerance for the PCB pattern pitch shall be ± 0.05 , and shall not accumulate more than ± 0.1 .

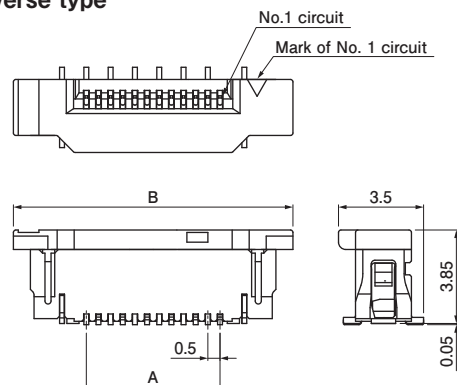
The above dimensions are for reference only. Please contact JST for further details.

Connector

Normal type



Reverse type



No. of circuits	Model No.		Dimensions (mm)		Q'ty/ reel
	Normal type	Reverse type	A	B	
6	06FLZT-SM1-TF	06FLZT-RSM1-TF	2.5	8.5	1,500
8	08FLZT-SM1-TF	08FLZT-RSM1-TF	3.5	9.5	1,500
10	10FLZT-SM1-TF	10FLZT-RSM1-TF	4.5	10.5	1,500
12	12FLZT-SM1-TF	12FLZT-RSM1-TF	5.5	11.5	1,500
14	14FLZT-SM1-TF	14FLZT-RSM1-TF	6.5	12.5	1,500
15	15FLZT-SM1-TF	15FLZT-RSM1-TF	7.0	13.0	1,500
16	16FLZT-SM1-TF	16FLZT-RSM1-TF	7.5	13.5	1,500
18	18FLZT-SM1-TF	18FLZT-RSM1-TF	8.5	14.5	1,500
20	20FLZT-SM1-TF	20FLZT-RSM1-TF	9.5	15.5	1,500
21	21FLZT-SM1-TF	21FLZT-RSM1-TF	10.0	16.0	1,500
22	22FLZT-SM1-TF	22FLZT-RSM1-TF	10.5	16.5	1,500
24	24FLZT-SM1-TF	24FLZT-RSM1-TF	11.5	17.5	1,500
28	28FLZT-SM1-TF	28FLZT-RSM1-TF	13.5	19.5	1,500
30	30FLZT-SM1-TF	30FLZT-RSM1-TF	14.5	20.5	1,500
40	40FLZT-SM1-TF	40FLZT-RSM1-TF	19.5	25.5	1,500

Material and Surface finish, etc.

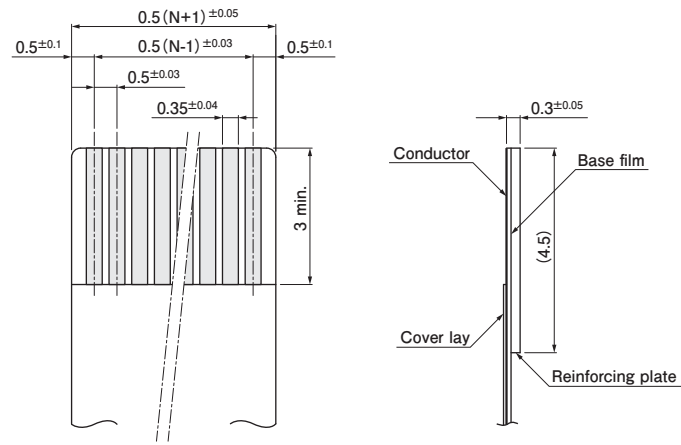
Contact: Copper alloy, tin-plated
 Slider housing: PPS,
 Normal type/ brown
 Reverse type/ black
 Socket housing : PPS, natural
 Reinforcement: Copper alloy, tin-plated

Note: 1. This product displays (LF)(SN) on a label.

2. For flame retardant grade of resin material used, please refer to the "List of Registered Overseas Standards" on our website (listed in the "Technical Documents" column on the Product Information page).

FLZT CONNECTOR

Dimensions of FPC lead section



Note) N : No. of circuits

Looking for pricing, stock, or lifecycle information?

Click below to explore more details on WIN SOURCE:

- [View 12FLZT-SM1-TF\(LF\)\(SN\) on WIN SOURCE](#)
- [JST Sales America Inc. Information](#)

Optimize Your Supply Chain with WIN SOURCE Solutions

- ✓ Global Sourcing Solution
- ✓ Obsolete Management
- ✓ Cost Control Management
- ✓ Shortage Management
- ✓ Alternative Solution
- ✓ Excess Inventory Management