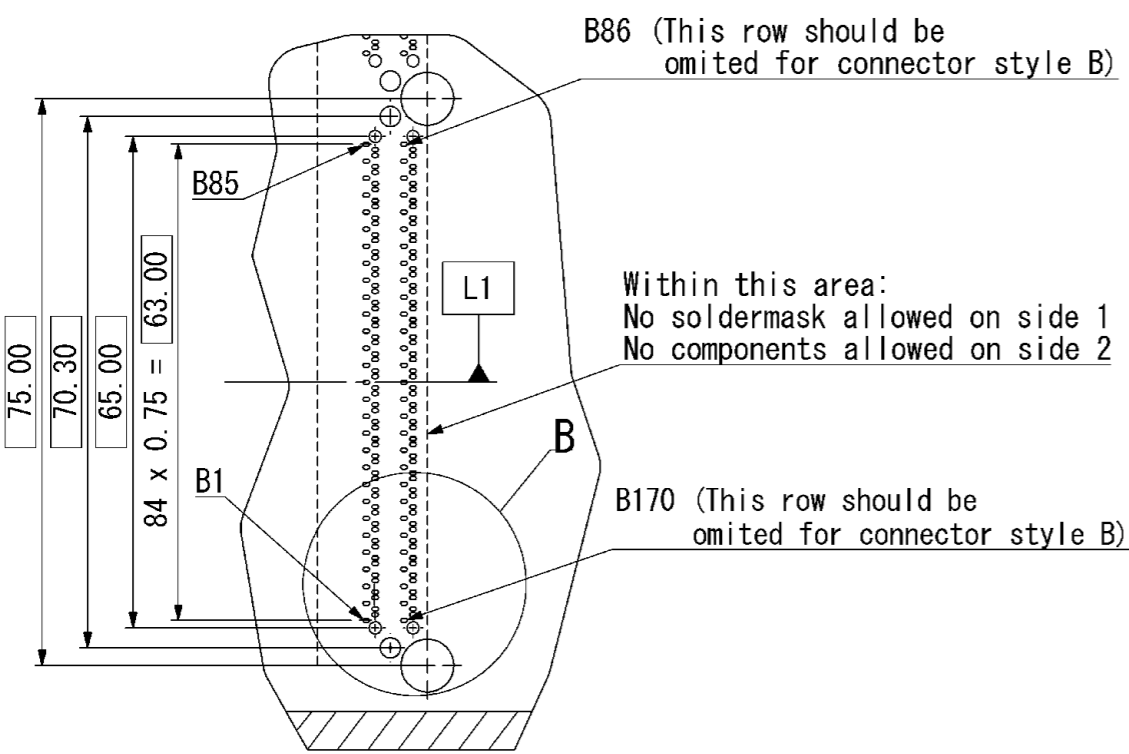


記号x数	変更内容	REVISION DESCRIPTION	承認	検図	担当	年月日	変更通知書No.
△ x 3	Add dimension		M. Igarashi	T. Kimoto	N. Taniguchi	06/04/19	M109949
△ x 2	Shape change		M. Ooya	M. Igarashi	N. Taniguchi	07/02/22	M112492
△ x 1	Clerical error correction		M. Ooya	M. Igarashi	N. Taniguchi	07/03/22	M112738
△ x 3	Clerical error correction		M. Ooya	M. Igarashi	N. Taniguchi	07/09/26	M114411
△ x 1	Size addition of Cutaway Bay PCB		M. Ooya	M. Igarashi	N. Taniguchi	08/07/09	M116492

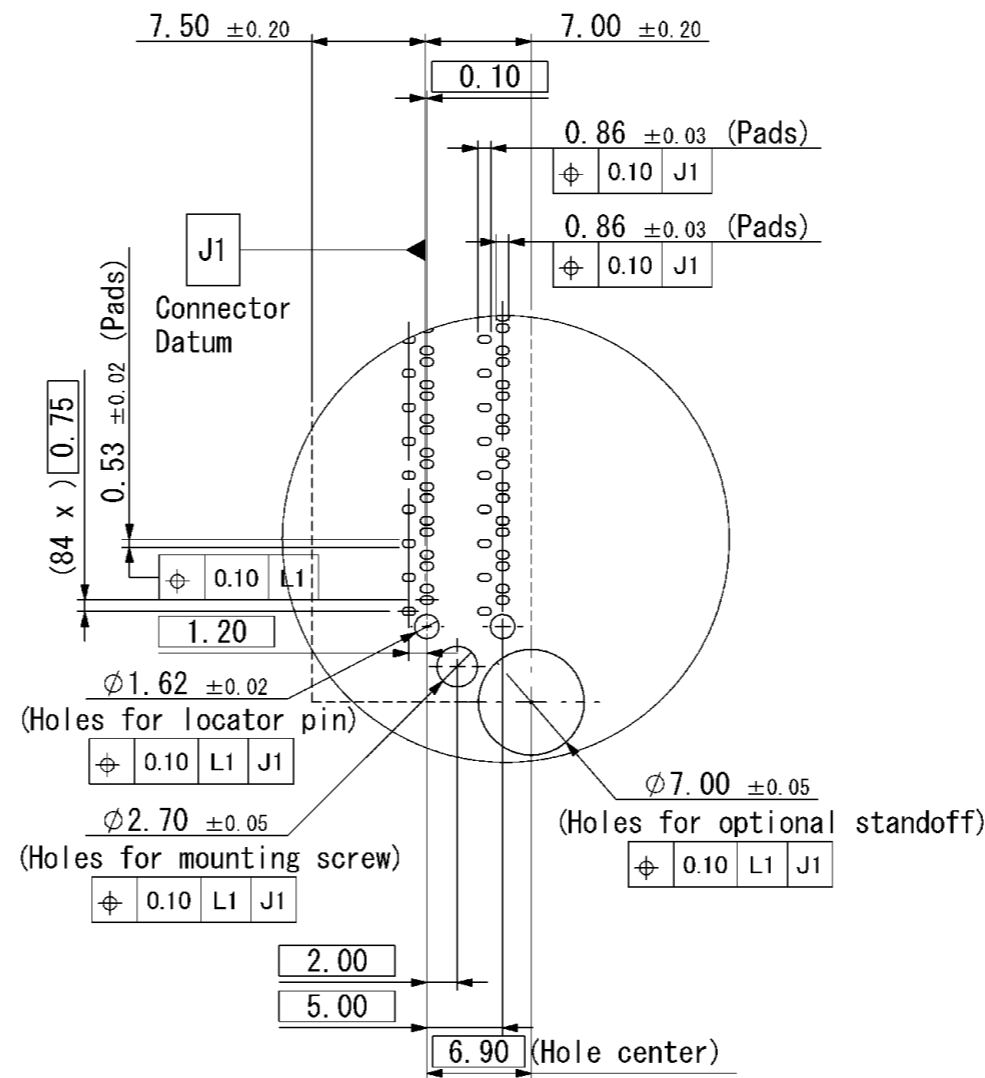
16	Mounting Screw	2	SUS, M2.5 L25.0	(Attached)
15	Carrier Board Stiffener Insulator	1	PA9T (UL94V-0)	Black (Attached)
14	Carrier Board Stiffener	1	SUS	(Attached)
13	Pin2	4	SUS	---
12	FPC Spacer	1	SPS (UL94V-0)	Black
11	FPC2	1	LCP/Cu	Ni-Au
10	FPC1	1	LCP/Cu	Ni-Au
9	Pin1	2	BS, DIA1.55	Ni
8	Spacer	1	SPS (UL94V-0)	Black
7	Metal Stiffener	4	SUS	---
6	Retention Block	2	PA9T (UL94V-0)	Black
5	Contact 2	170	BeCu t0.18	Ni-Au
4	Carrier Conn Insulator	2	LCP (UL94V-0)	Black
3	Contact 1	170	BeCu t0.23	Ni-Au
2	Card Edge Insulator	1	LCP (UL94V-0)	Black
1	Case	1	PA9T (UL94V-0)	Black
部品番号 ITEM	部品名 DESCRIPTION	個数 QNT.	材質・寸度 MATERIAL	記事 CONTENT

指定外公差 ±0.3 Tolerances ±0.3 unless otherwise specified. ( )寸法は参考値 ( )Reference value.					 山一電機株式会社 YAMAICHI ELECTRONICS Co.,Ltd.	
尺度 SCALE	2 / 1	承認 APP.	承認 APP.	検図 CHK.	製図 DRW.	設計 DSGN.
単位 DIMENSION	mm	05/01/19	05/01/18	05/01/15	05/01/12	05/01/12
三角図法 3RD ANGLE PROJECTION		M. Ooya	S. Sato	Y. Ishii	M. Taniguchi	T. Nishimura
名称 (TITLE)		分類 (CLASS)		図番 (DRW. NO.)		
CN074-170-0005		AdvancedMC CONNECTOR Type B+		A103524-001		
Sheet No.		REV.		A3-A1-SW006		
1/3		J				

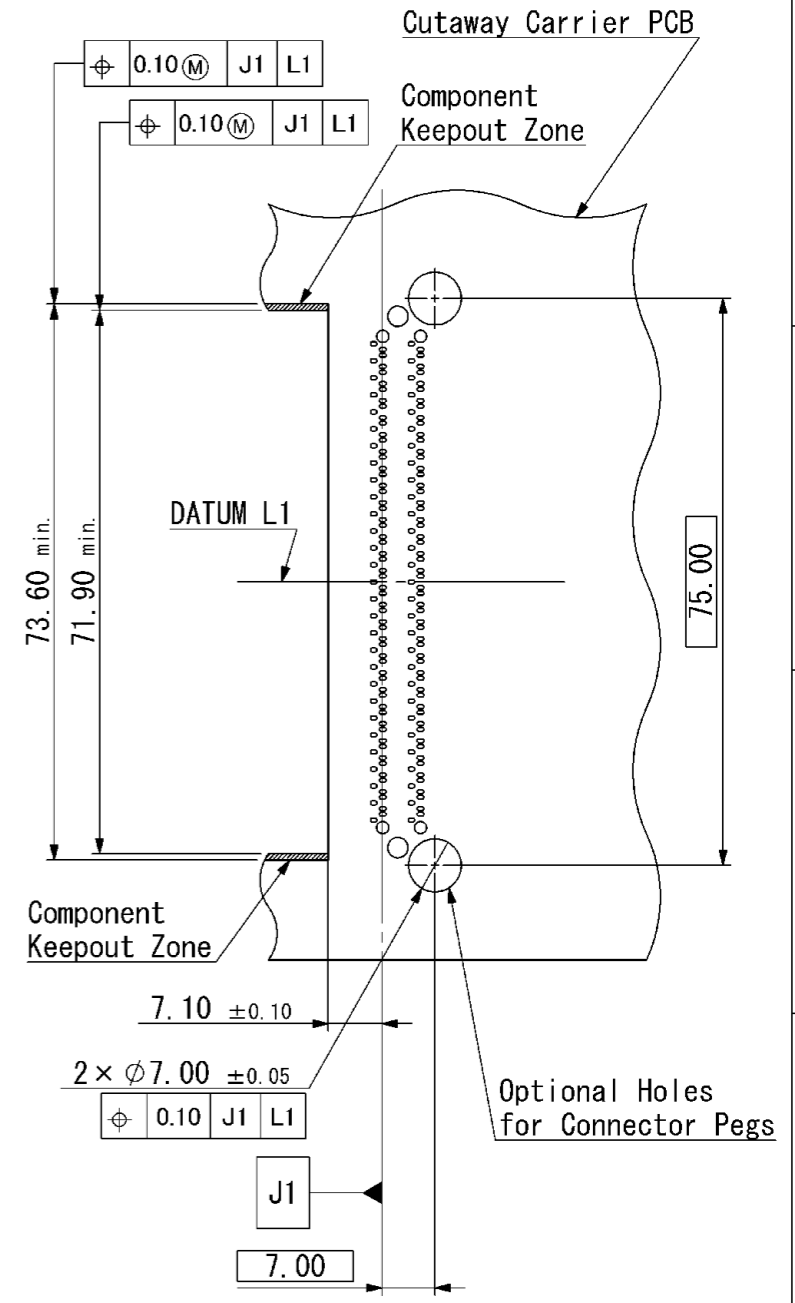
A  
B  
C  
D  
E  
F



**RECOMMENDED PCB LAYOUT**



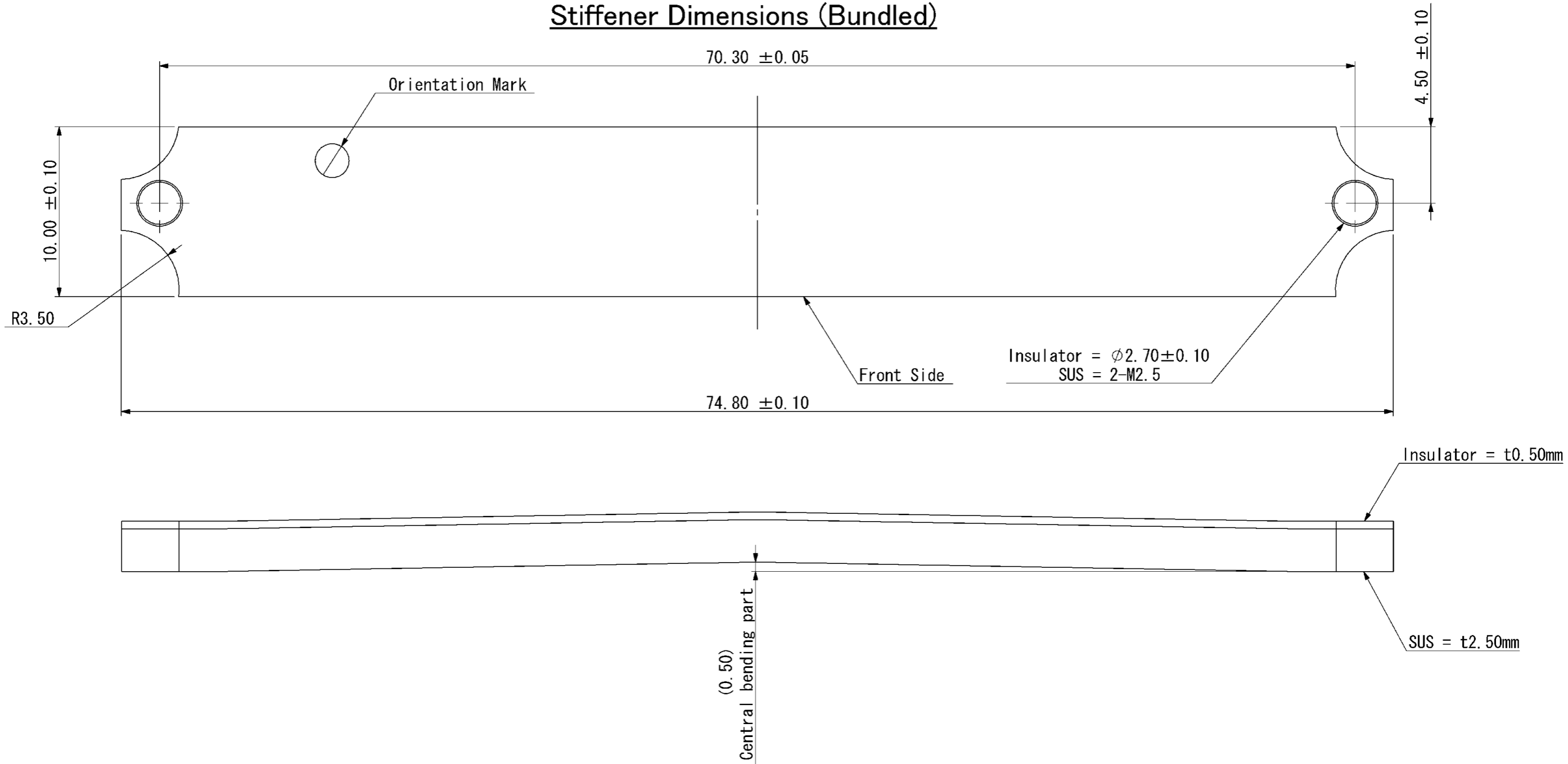
**DETAIL B (S=2/1)**



**△ Cutaway Bay PCB LAYOUT**

指定外公差 ±0.3 Tolerances ±0.3 unless otherwise specified. ( )寸法は参考値 ( )Reference value.						山一電機株式会社 YAMAICHI ELECTRONICS Co.,Ltd.	
尺度 2 / 1 SCALE 2 / 1						承認 APP. 05/01/19 承認 APP. 05/01/18 検図 CHK. 05/01/15 製図 DRW. 05/01/12 設計 DSEN. 05/01/12	
単位 mm DIMENSION mm						分類 (CLASS) AdvancedMC CONNECTOR Type B+ 名称 (TITLE) CN074-170-0005	
三角図法 3RD ANGLE PROJECTION						図番 (DRW. NO.) A103524-001 Sheet No. 2/ REV. J	

### Stiffener Dimensions (Bundled)



- Note:
- Plating specification on the PCB pads  
 Module PCB : Au  $0.76 \mu\text{m}$  MIN. over Ni  $2.54 \mu\text{m}$  MIN.  
 Carrier board : Au  $0.10 \mu\text{m}$  MIN. over Ni  $1.27 \mu\text{m}$  MIN.
  - Instruction for the connector being fixed by screw  
 Screw size (Bundled) : M2.5 , L25.0  
 Tightening torque : 30~40 cN·m  
 Maximum number of repeated tightenings : 3 times
  - Parts number for the stiffener  
 CN074A-0004 (A103639-001)
  - Parts number for the screw  
 CN074A-0006 (A104011-001)

指定外公差 $\pm 0.3$ Tolerances $\pm 0.3$ unless otherwise specified. ( )寸法は参考値 ( )Reference value.					山一電機株式会社 YAMAICHI ELECTRONICS Co.,Ltd.	
尺度 4 / 1 承認 APP. 05/01/19 承認 APP. 05/01/18 検図 CHK. 05/01/15 製図 DRW. 05/01/12 設計 DSEN. 05/01/12					分類 (CLASS) AdvancedMC CONNECTOR Type B+ 名称 (TITLE) CN074-170-0005 図番 (DRW. NO.) A103524-001	
単位 DIMENSION mm 三角図法 3RD ANGLE PROJECTION M. Ooya S. Sato Y. Ishii M. Taniguchi T. Nishimura					Sheet No. 3/ REV. J A3-A2-SW006	

## Looking for pricing, stock, or lifecycle information?

Click below to explore more details on WIN SOURCE:

[View CN074-170-0005 on WIN SOURCE](#)

[Yamaichi Information](#)

## Optimize Your Supply Chain with WIN SOURCE Solutions

- ✓ Global Sourcing Solution
- ✓ Obsolete Management
- ✓ Cost Control Management
- ✓ Shortage Management
- ✓ Alternative Solution
- ✓ Excess Inventory Management