

5N Type Side-operational Light Touch Switches

Type: **EVQPF**



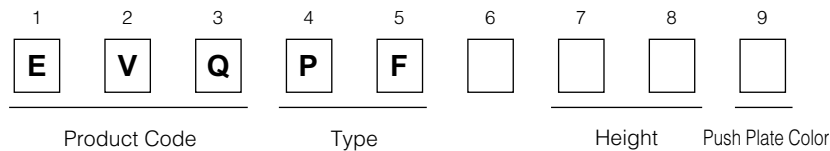
■ Features

- Wealth of product types: Horizontal type, snap-in terminals, etc.
- Can be automatically dip-soldered: Integral molding of the terminals and main body prevents the escape of flux.

■ Recommended Applications

- Operating switches for other electronic equipment

■ Explanation of Part Numbers



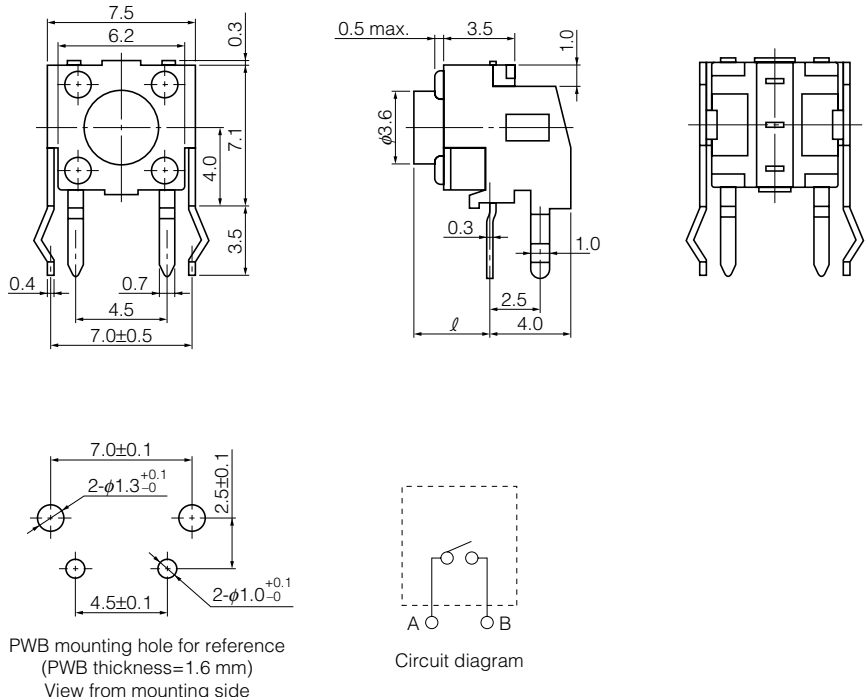

■ Specifications

Type		Snap action/Push-on type SPST	
Electrical	Circuit Diagram		
	Rating	10 μ A 2 Vdc to 20 mA 15 Vdc (Resistiv load)	
	Contact Resistance	50 m Ω max.	
	Insulation Resistance	50 M Ω min. (at 100 Vdc)	
	Dielectric Withstanding Voltage	250 Vac for 1 minute	
Mechanical	Operating Force	1.0 N \pm 0.4 N 1.3 N \pm 0.4 N 1.6 N \pm 0.5 N	2.6 N \pm 0.6 N
	Travel	0.25 mm \pm 0.10 mm	
Endurance	Operating Life	100000 cycles min.*	50000 cycles min.
Operating Temperature		-20 $^{\circ}$ C to +70 $^{\circ}$ C	
Storage Temperature		-40 $^{\circ}$ C to +85 $^{\circ}$ C (Bulk)	
Minimum Quantity/ Packing Unit	Top-push	500 pcs. Polyethylene Bag (Bulk)	
Quantity/Carton	Top-push	10000 pcs.	

*1 million cycles also available, consult our salesmen.

Design and specifications are each subject to change without notice. Ask factory for the current technical specifications before purchase and/or use. Should a safety concern arise regarding this product, please be sure to contact us immediately.

■ Dimensions in mm (not to scale)

EVQPF					
	Part Numbers	Operating Force	l = Push Plate Place	Push Plate Color	Operating Life
	EVQPF003M	1.0 N	3.15 mm	White	100000 cycles
	EVQPF004R	1.0 N	3.85 mm	Red	100000 cycles
	EVQPF006K	1.0 N	5.85 mm	Black	100000 cycles
	EVQPF008K	1.0 N	8.35 mm	Black	100000 cycles
	EVQPF103M	1.3 N	3.15 mm	White	100000 cycles
	EVQPF104R	1.3 N	3.85 mm	Red	100000 cycles
	EVQPF106K	1.3 N	5.85 mm	Black	100000 cycles
	EVQPF108K	1.3 N	8.35 mm	Black	100000 cycles
	EVQPF203M	1.6 N	3.15 mm	White	100000 cycles
	EVQPF204R	1.6 N	3.85 mm	Red	100000 cycles
	EVQPF206K	1.6 N	5.85 mm	Black	100000 cycles
	EVQPF208K	1.6 N	8.35 mm	Black	100000 cycles
	EVQPF303M	2.6 N	3.15 mm	White	50000 cycles
	EVQPF304R	2.6 N	3.85 mm	Red	50000 cycles
	EVQPF306K	2.6 N	5.85 mm	Black	50000 cycles
	EVQPF308K	2.6 N	8.35 mm	Black	50000 cycles

Design and specifications are each subject to change without notice. Ask factory for the current technical specifications before purchase and/or use.
Should a safety concern arise regarding this product, please be sure to contact us immediately.

Looking for pricing, stock, or lifecycle information?

Click below to explore more details on WIN SOURCE:

 [View EVQ-PF106K on WIN SOURCE](#)

 [Panasonic Information](#)

Optimize Your Supply Chain with WIN SOURCE Solutions

-  Global Sourcing Solution
-  Obsolete Management
-  Cost Control Management
-  Shortage Management
-  Alternative Solution
-  Excess Inventory Management