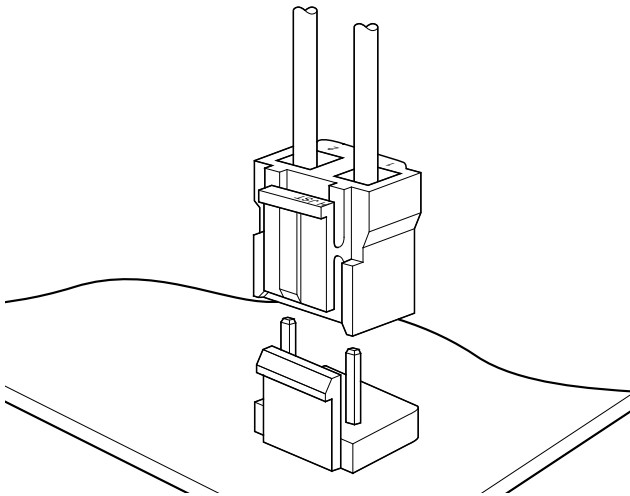




# VA CONNECTOR

7.92 mm pitch/Disconnectable Crimp style connectors



This 7.92 mm pitch large current carrying capacity connector is used with primary power supply circuits and various other circuits requiring large currents. It features an anti-misinsertion construction and a reliable locking mechanism to ensure maximum safety.

- Box contact
- Secure contact and mounting
- Compact connector with a large capacity

## Specifications

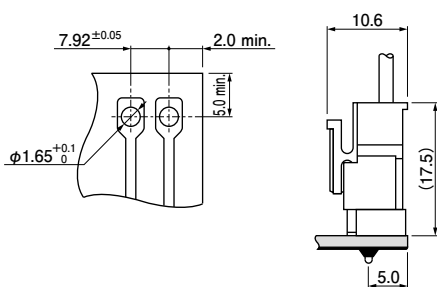
- Current rating: 7 A AC/DC (AWG #18)
  - Voltage rating: 250 V AC/DC
  - Temperature range: -25°C to +85°C  
(including temperature rise in applying electrical current)
  - Contact resistance: Initial value/ 10mΩ max.  
After environmental tests/ 20mΩ max.
  - Insulation resistance: 1,000 MΩ min.
  - Withstanding voltage: 1,200 VAC/minute
  - Applicable wire: AWG #20 to #18
  - Applicable PC board thickness: 1.6 mm
- \* In using the products, refer to "Handling Precautions for Terminals and Connectors" described on our website (Technical documents of Product information page).
- \* RoHS2 compliance
- \* Dimensional unit: mm
- \* Contact JST for details.

## Standards

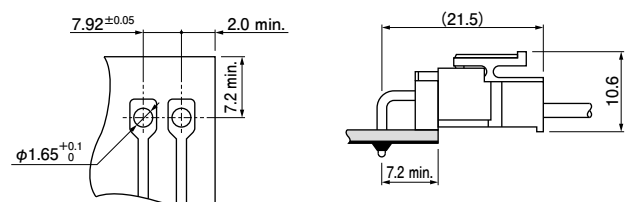
- Recognized E60389
- Certified LR20812
- R75122

## PC board layout and Assembly layout

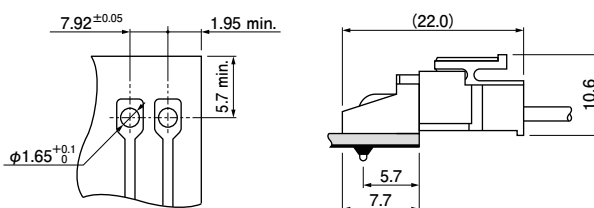
### Top entry type



### Side entry type



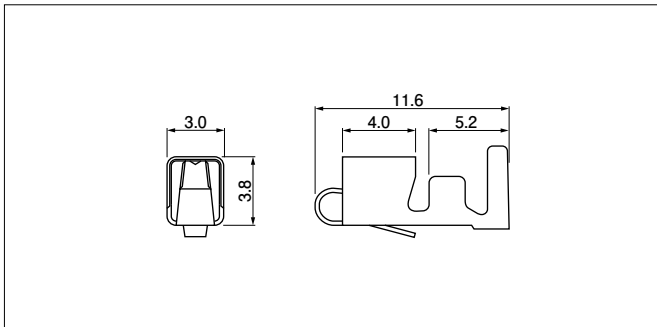
### Side entry type with PCB stabilizer



- Note: 1. The above figure is the figure viewed from soldering side.  
2. Hole dimensions differ according to the type of PC board and piercing method. The dimensions above should serve as a guideline.  
Contact JST for details.

# VA CONNECTOR

## Contact



| Model No.    | Applicable wire |          | Insulation O.D. (mm) | Q'ty/reel |
|--------------|-----------------|----------|----------------------|-----------|
|              | mm <sup>2</sup> | AWG #    |                      |           |
| SVA-41T-P1.1 | 0.5 to 0.83     | 20 to 18 | 1.9 to 3.7           | 3,500     |

### Material and Finish

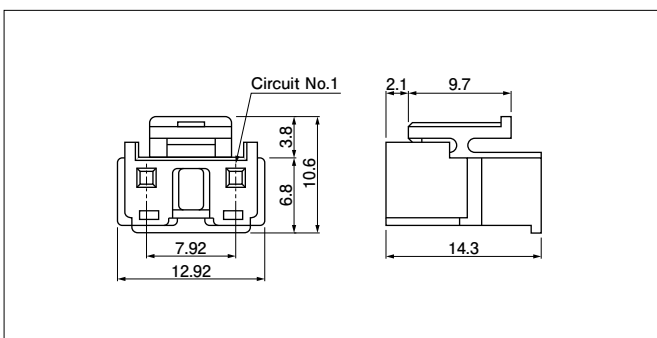
Phosphor bronze, tin-plated (reflow treatment)

### RoHS2 compliance

| Contact      | Crimping machine | Applicator       |              |                            |
|--------------|------------------|------------------|--------------|----------------------------|
|              |                  | Crimp applicator | Dies         | Crimp applicator with dies |
| SVA-41T-P1.1 | AP-K2N           | MKS-L            | MK/SVA-41-11 | APLMK SVA41-11             |

Note: Contact JST for fully automatic crimping applicator.

## Housing



| No. of circuits | Model No. | Q'ty/bag |
|-----------------|-----------|----------|
| 2               | VAR-2     | 1,000    |

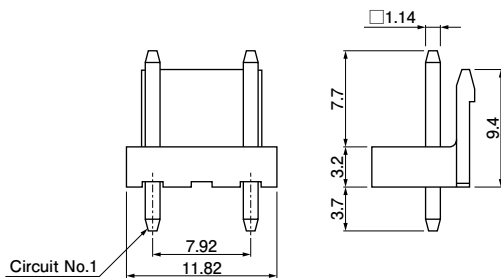
### Material and Finish

PA 6, UL94V-0, natural (white)

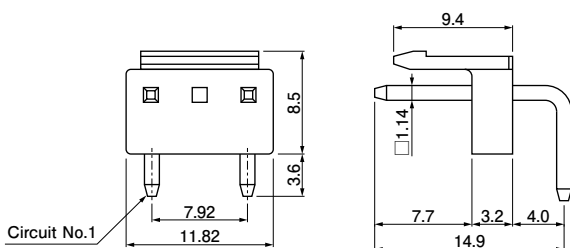
### RoHS2 compliance

## Header

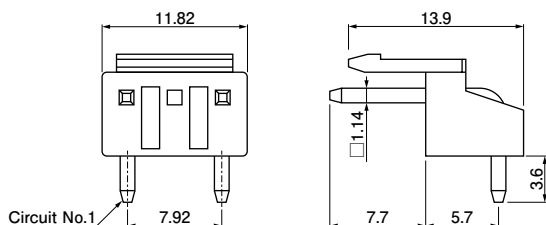
### Top entry type



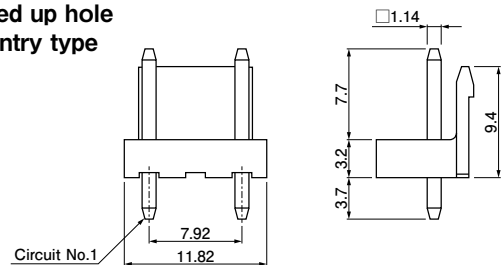
### Side entry type



### Side entry type with PCB stabilizer



### Plugged up hole Top entry type



|                                     | No. of circuits | Model No. | Q'ty/box |
|-------------------------------------|-----------------|-----------|----------|
| Top entry type                      | 2               | B2P3-VH   | 1,000    |
| Side entry type                     | 2               | B2P3S-VH  | 500      |
| Side entry type with PCB stabilizer | 2               | S2P3-VH   | 500      |

### Plugged up hole

|                | No. of circuits | Model No. | Q'ty/box |
|----------------|-----------------|-----------|----------|
| Top entry type | 2               | *B2P-VA   | 1,000    |

### Material and Finish

Post: Brass, copper-undercoated, tin-plated (reflow treatment)  
Wafer: PA 66, UL94V-0, natural (white)

RoHS2 compliance This product displays (LF)(SN) on a label.  
\*Marked products unlisted in CSA/TÜV.

## Model number allocation

### Contact

**S VA - 41 T - P 1.1**

Form: S...Strip form, B...Loose piece

Series name

Applicable wire range: AWG #20 to #18

Surface finish: T...Tin-plated (reflow treatment)

Material: P...Phosphor bronze

Terminal size

### Housing

**VA R - 2 -**

Series name

Part name: Receptacle

No. of circuits: 2

Color: None...Natural (White), K...Black, R...Red, E...Blue, Y...Yellow, M...Green, N...Brown

### Header

**B 2 P 3 - VH -**

Indication of assembly

No. of circuits: 2

Part name: Plug

Indicates omitting center pin of 3-circuit product.

Shape of assembled product: None...Top entry type  
S...Side entry type

Series name

Color: None...Natural (White), BK...Black, R...Red, BL...Blue, Y...Yellow, M...Green, N...Brown, O...Orange, PK...Pink, P...Purple, H...Gray

### Header Side entry type with PCB stabilizer

**S 2 P 3 - VH -**

Shape of assembled product:  
S...Side entry type with PCB stabilizer

No. of circuits: 2

Part name: Plug

Indicates omitting center pin of 3-circuit product.

Series name

Color: None...Natural (White), BK...Black, R...Red, Y...Yellow, M...Green

### Header Plugged up hole

**B 2 P - VA**

Indication of assembly

No. of circuits: 2

Part name: Plug

Shape of assembled product: None...Top entry type

Series name

Note: Depending on the colors, it may take some time for delivery.

## Looking for pricing, stock, or lifecycle information?

Click below to explore more details on WIN SOURCE:

- [⊖ View B2P3S-VH\(LF\)\(SN\) on WIN SOURCE](#)
- [⊖ JST Sales America Inc. Information](#)

## Optimize Your Supply Chain with WIN SOURCE Solutions

- ✓ Global Sourcing Solution
- ✓ Obsolete Management
- ✓ Cost Control Management
- ✓ Shortage Management
- ✓ Alternative Solution
- ✓ Excess Inventory Management