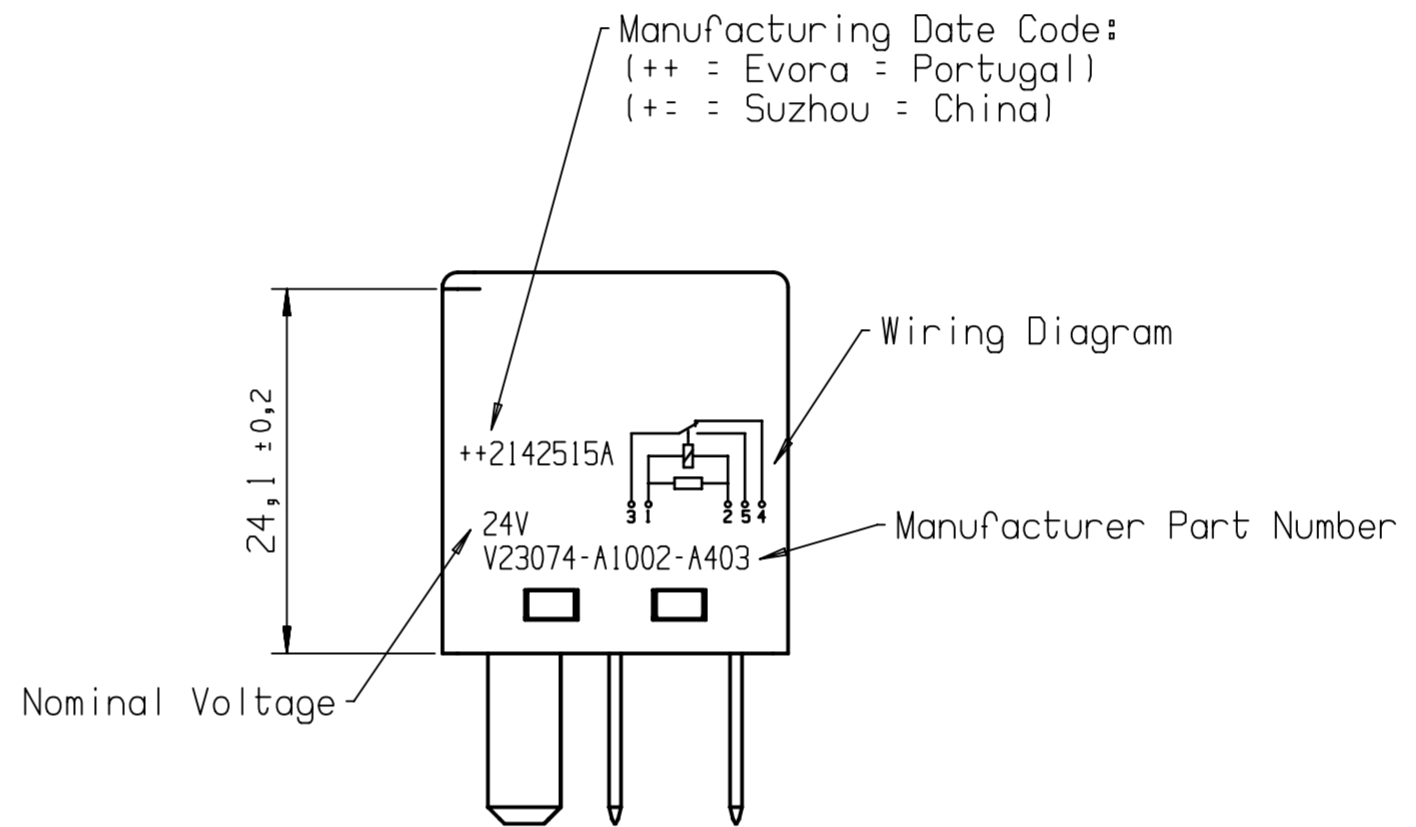
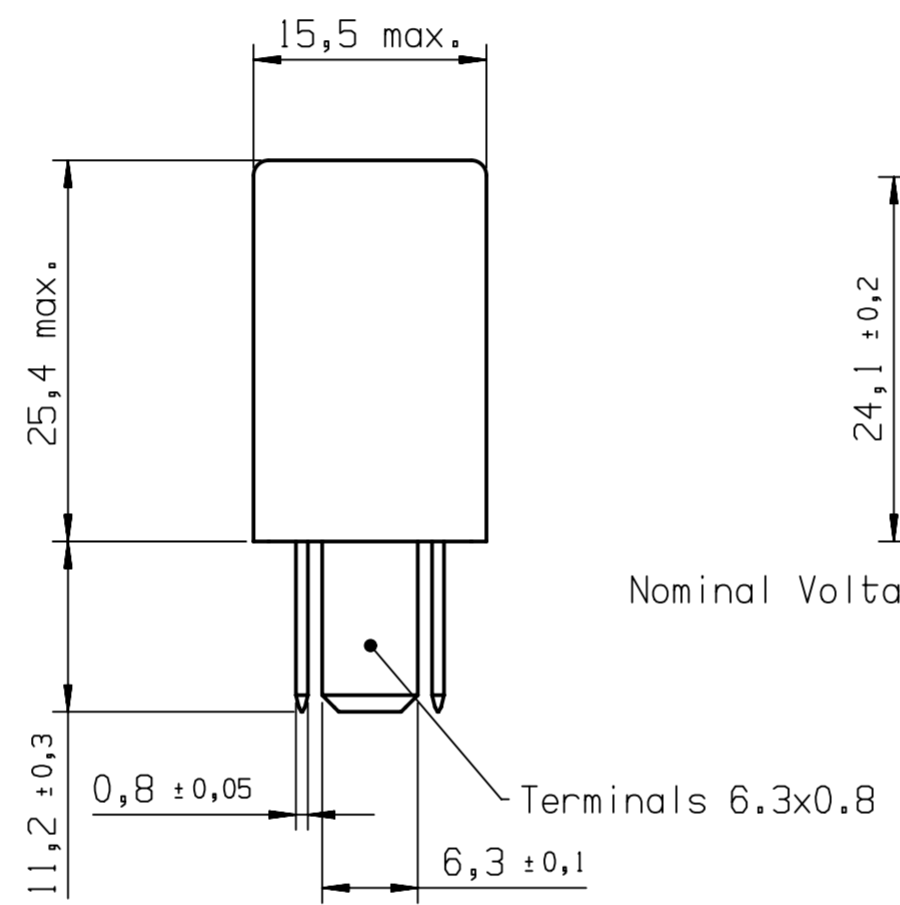
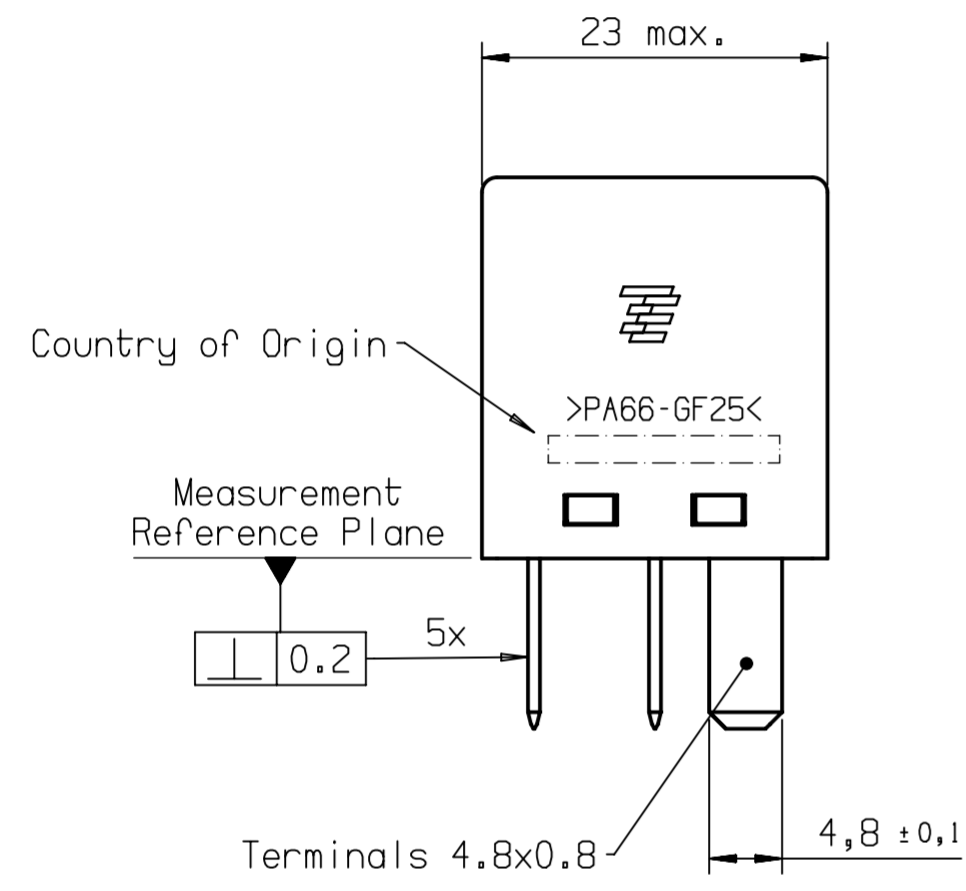
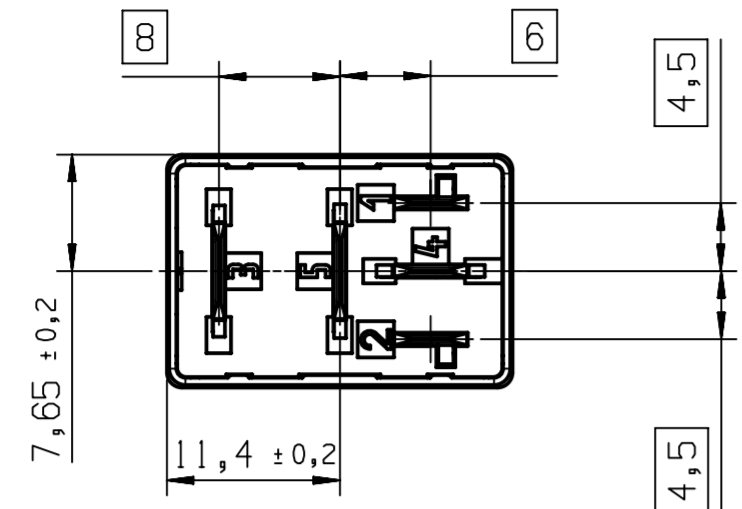


Positional Tolerance:  $\pm 0.15$

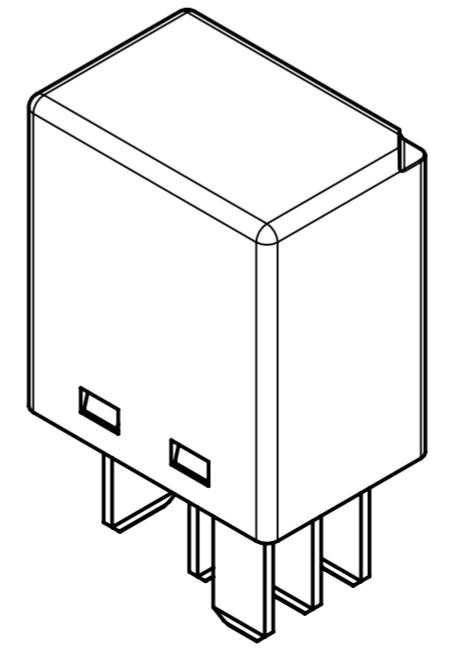
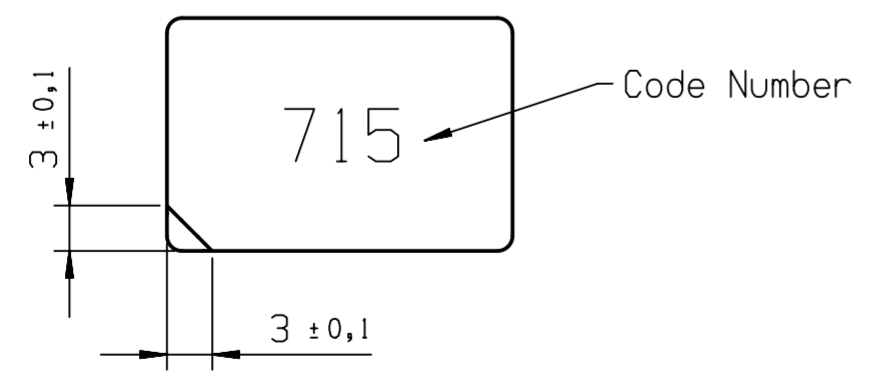
Terminal Layout  
Bottom View



Terminal Shape (1,2,4) with 4.8x0.8  
Terminal Shape (3,5) with 6.3x0.8

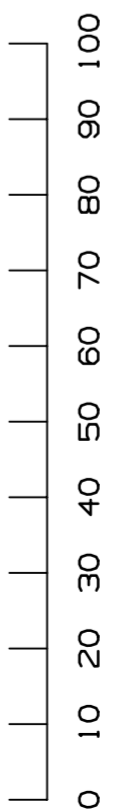
- 1) Cover colour: Black
- 2) Alternative packaging supplied by TE Brazil: 1989768-1 (Carton Box)

View From the Topside  
(Rotated 180°)



PART NUMBER	MANUFACTURER PART NUMBER	COUNTRY OF ORIGIN
3-1393292-8	V23074-A1002-A403	PORTUGAL
9-1904105-4		CHINA
1989768-1 2)		PORTUGAL

<small>PROPRIETARY</small> THE REPRODUCTION, TRANSMISSION OR USE OF THIS DOCUMENT OR IT'S CONTENTS IS NOT PERMITTED WITHOUT EXPRESSED WRITTEN AUTHORITY. OFFENDERS WILL BE LIABLE FOR ALL DAMAGES. ALL RIGHTS, INCLUDING RIGHTS CREATED BY REGISTERED PATENT(S) GRANTED FOR A UTILITY MODEL OR DESIGN, ARE RESERVED.				CHANGES TO THIS DRAWING MUST BE DONE ONLY IN CAD		PAPER SIZE <b>A2</b>	
APPLICABLE SPEC.:				FINISH			
				DIMENSIONS APPLY		PLATING	
				SCALE <b>2:1</b>		WEIGHT	
				MATERIAL ---			
				PART NAME			
				<b>MICRO A RELAY</b> <b>DIMENSION DRAWING</b>			
				DWG NO.		SHT.	
				<b>V23074-A1002-A403</b>		<b>1</b>	
				CUSTOMER DRAWING		OF 1	



Looking for pricing, stock, or lifecycle information?

Click below to explore more details on WIN SOURCE:

[View 3-1393292-8 on WIN SOURCE](#)

[TE Connectivity Information](#)

### Optimize Your Supply Chain with WIN SOURCE Solutions

- ✓ Global Sourcing Solution
- ✓ Obsolete Management
- ✓ Cost Control Management
- ✓ Shortage Management
- ✓ Alternative Solution
- ✓ Excess Inventory Management