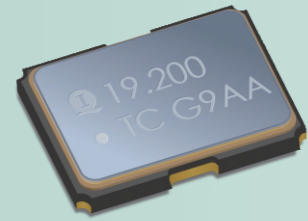


TCXO 2520 (TC900 SERIES)



FEATURES

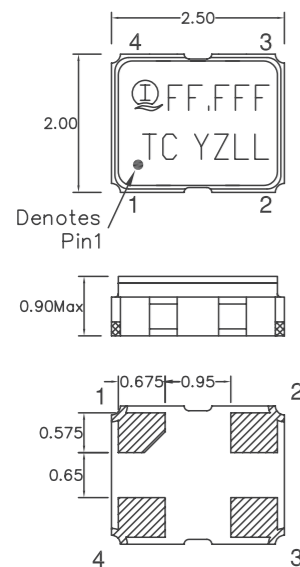
- Miniature size
- High reliability seam welded package
- Pick and place assembly
- Voltage Control applicable
- Low supply voltage version available
- RoHS Compliant and Pb Free

Electrical Specifications

Parameters	Specifications
Output Waveform 输出波形	Clipped Sine
Frequency Range 频率范围	9.5MHz ~ 70MHz
Supply Voltage Range (Vdd) 工作电压范围	1.8V ~ 3.3V
Operating Temperature Range 工作温度范围	-20°C ~ +70°C, -40°C ~ +85°C
Frequency Stability 频率偏差	
vs. Room Temp. (25°C ± 3°C) 相对常温	±1.0ppm, ±1.5ppm, ±2.0ppm
vs. Operating Temp. 相对工作温度	±0.5ppm, ±1.0ppm, ±1.5ppm, ±2.0ppm
vs. Voltage Change (±5%) 相对电压变化	±0.2ppm Max.
vs. Load Change (±5%) 相对负载变化	±0.2ppm Max.
vs. Aging (First Year) 相对首年老化率	±1ppm
Current Consumption (Idd) 消耗电流	2mA Max.
Output Voltage 输出电压	Vp-p
	0.8V Min.
Output Load 输出负载	10k Ω // 10pF
Pullability 牵引范围 (for VCTCXO)	±9 ~ ±15ppm Typ.
Control Voltage Range 控制电压范围 (for VCTCXO)	0.90V ± 0.60V, 1.4V ± 1V
Phase Noise @ 1kHz Offset	-130dBc/Hz Typ.
Start-up Time 起动时间	3ms Max.
Storage Temperature Range 储存温度范围	-40°C ~ +85°C

Please consult our sales representatives for other specifications. 如对其他规格查询, 请与我司销售人员联系。

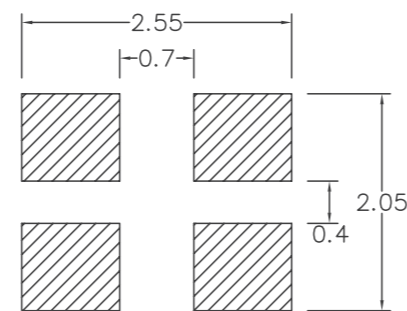
Dimensions



PIN CONNECTION

P/N	FUNCTION
1	Ground Recommended
2	Ground
3	Output
4	Vcc

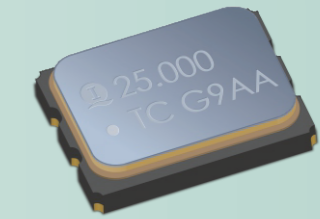
DIMENSION (mm)



SOLDERING PATTERN (mm)

All specifications are subject to change without prior notice. 本公司保留修改规格的权利。

TCXO 3225 (TC800 SERIES)



FEATURES

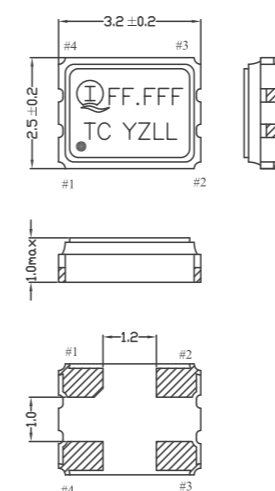
- Small size
- High reliability seam welded package
- Pick and place assembly
- Voltage Control applicable
- Low supply voltage version available
- RoHS Compliant and Pb Free

Electrical Specifications

Parameters	Specifications
Output Waveform 输出波形	Clipped Sine
Frequency Range 频率范围	9.5MHz ~ 66MHz
Supply Voltage Range (Vdd) 工作电压范围	1.8V ~ 3.3V
Operating Temperature Range 工作温度范围	-20°C ~ +70°C, -40°C ~ +85°C
Frequency Stability 频率偏差	
vs. Room Temp. (25°C ± 3°C) 相对常温	±1.0ppm, ±2.0ppm
vs. Operating Temp. 相对工作温度	±0.5ppm, ±1.0ppm, ±2.0ppm
vs. Voltage Change (±5%) 相对电压变化	±0.2ppm Max.
vs. Load Change (±5%) 相对负载变化	±0.2ppm Max.
vs. Aging (First Year) 相对首年老化率	±1ppm
Current Consumption (Idd) 消耗电流	2mA Max.
Output Voltage 输出电压	Vp-p
	0.8V Min.
Output Load 输出负载	10k Ω // 10pF
Pullability 牵引范围 (for VCTCXO)	±9 ~ ±15ppm Typ.
Control Voltage Range 控制电压范围 (for VCTCXO)	0.90V ± 0.60V, 1.4V ± 1V
Phase Noise @ 1kHz Offset	-130dBc/Hz Typ.
Start-up Time 起动时间	3ms Max.
Storage Temperature Range 储存温度范围	-40°C ~ +85°C

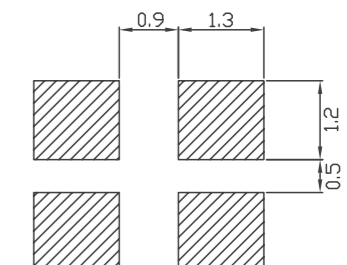
Please consult our sales representatives for other specifications. 如对其他规格查询, 请与我司销售人员联系。

Dimensions



PIN	CONNECTION
#1	N.C
#2	GROUND
#3	OUTPUT
#4	VDD

DIMENSION (mm)



SOLDERING PATTERN (mm)

All specifications are subject to change without prior notice. 本公司保留修改规格的权利。

Looking for pricing, stock, or lifecycle information?

Click below to explore more details on WIN SOURCE:

- ⊖ [View TC800-26.000-FTBKC on WIN SOURCE](#)
- ⊖ [Interquip Electronics Information](#)

Optimize Your Supply Chain with WIN SOURCE Solutions

- ✓ Global Sourcing Solution
- ✓ Obsolete Management
- ✓ Cost Control Management
- ✓ Shortage Management
- ✓ Alternative Solution
- ✓ Excess Inventory Management