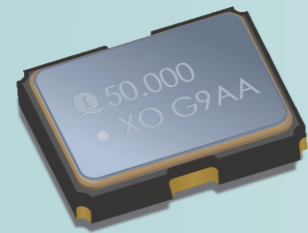




**THE DATASHEET OF
1651-50005-DTPQYA**



SPXO 2016 (168-B SERIES)



FEATURES

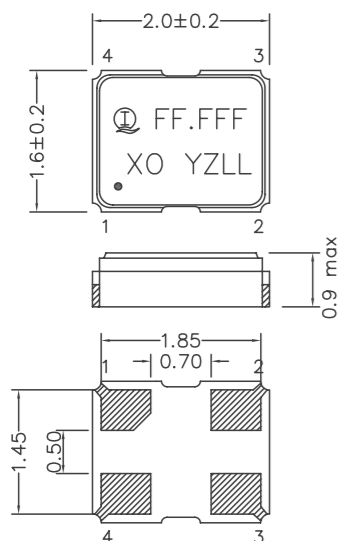
- Ultra-miniature size
- Low phase noise version available
- Suitable for wearable and handheld devices
- RoHS Compliant and Pb Free

Electrical Specifications

Parameters		Specifications		
Output Waveform 输出波形		CMOS		
Frequency Range 频率范围		32.768KHz	1MHz ~ 80MHz	80MHz ~ 160MHz
Supply Voltage Range (Vdd) 工作电压范围		1.0V ~ 3.3V		
Overall Frequency Stability 总频率偏差		±25ppm, ±30ppm, ±50ppm or specify		
Operating Temperature Range 工作温度范围		-20°C ~ +70°C, -40°C ~ +85°C, -40°C ~ +125°C		
Current Consumption (Idd) 消耗电流		100uA Max.	10mA Max.	
Rise & Fall Time 上/下沿时间		20ns Max.	8ns Max.	3ns Max.
Output Symmetry 输出对称性		45% ~ 55%		
Output Voltage 输出电压		V _{OH}	90% VDD	
		V _{OL}	10% VDD	
Output Load 输出负载		15pF		
Start-up Time 起动时间		10ms Max.		
Storage Temperature Range 储存温度范围		-55°C ~ +125°C		

** Inclusive of initial frequency tolerance at 25°C, operating temperature range, supply voltage change, load variation and 1st year aging.
包括在常温频率偏差, 工作温度范围的频率偏差, 首年老化率, 工作电压及负载变化造成的频率偏差。
Please consult our sales representatives for other specifications. 如对其他规格查询, 请与我司销售人员联系。

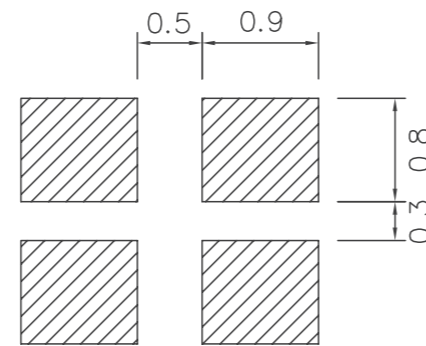
Dimensions



PIN CONNECTION

P/N	1681
1	Enable/Disable
2	GND
3	Output
4	VDD

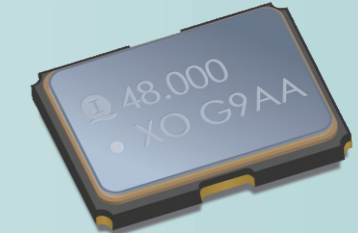
DIMENSION (mm)



SOLDERING PATTERN (mm)

All specifications are subject to change without prior notice. 本公司保留修改规格的权利。

SPXO 2520 (165-B SERIES)



FEATURES

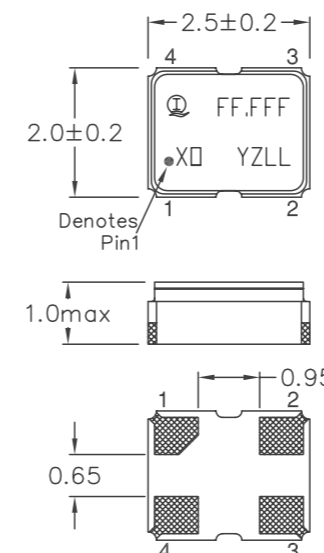
- Miniature size
- Low phase noise version available
- Suitable for wearable and handheld devices
- RoHS Compliant and Pb Free

Electrical Specifications

Parameters		Specifications		
Output Waveform 输出波形		CMOS		
Frequency Range 频率范围		32.768KHz	1MHz ~ 80MHz	80MHz ~ 160MHz
Supply Voltage Range (Vdd) 工作电压范围		1.0V ~ 5V		
Overall Frequency Stability 总频率偏差		±25ppm, ±30ppm, ±50ppm or specify		
Operating Temperature Range 工作温度范围		-20°C ~ +70°C, -40°C ~ +85°C, -40°C ~ +125°C		
Current Consumption (Idd) 消耗电流		100uA Max.	10mA Max.	
Rise & Fall Time 上/下沿时间		20ns Max.	8ns Max.	3ns Max.
Output Symmetry 输出对称性		45% ~ 55%		
Output Voltage 输出电压		V _{OH}	90% VDD	
		V _{OL}	10% VDD	
Output Load 输出负载		15pF		
Start-up Time 起动时间		10ms Max.		
Storage Temperature Range 储存温度范围		-55°C ~ +125°C		

** Inclusive of initial frequency tolerance at 25°C, operating temperature range, supply voltage change, load variation and 1st year aging.
包括在常温频率偏差, 工作温度范围的频率偏差, 首年老化率, 工作电压及负载变化造成的频率偏差。
Please consult our sales representatives for other specifications. 如对其他规格查询, 请与我司销售人员联系。

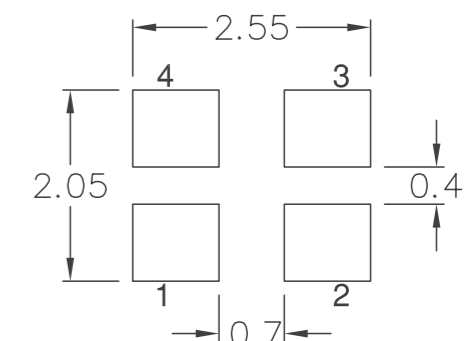
Dimensions



PIN CONNECTION

P/N	1651
1	Enable/Disable
2	GND
3	Output
4	VDD

DIMENSION (mm)



SOLDERING PATTERN (mm)

All specifications are subject to change without prior notice. 本公司保留修改规格的权利。

Looking for pricing, stock, or lifecycle information?

Click below to explore more details on WIN SOURCE:

- ⊖ [View 1651-50005-DTPQYA on WIN SOURCE](#)
- ⊖ [Interquip Electronics Information](#)

Optimize Your Supply Chain with WIN SOURCE Solutions

- ✓ Global Sourcing Solution
- ✓ Obsolete Management
- ✓ Cost Control Management
- ✓ Shortage Management
- ✓ Alternative Solution
- ✓ Excess Inventory Management