



## SMCM-2016H



### FEATURES

- Ceramic epoxy sealed SMD package
- Ultra-light weight and ultra-miniature size
- Wide frequency range
- Best cost-performance option
- RoHS Compliant and Pb Free

### Electrical Specifications

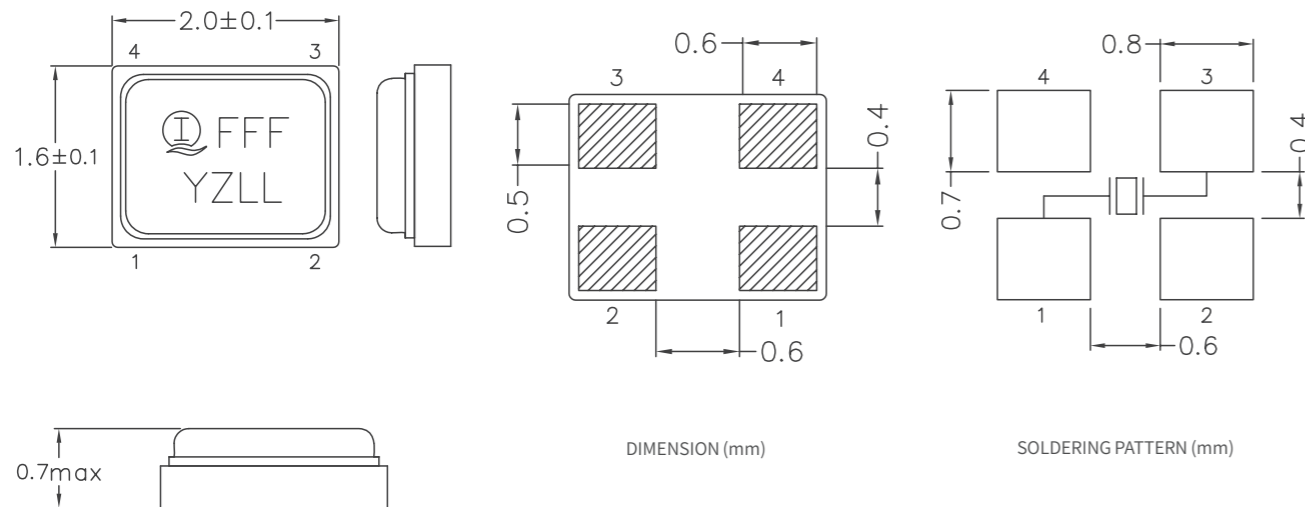
Parameters	Symbol	Specifications
Nominal Frequency Range 标称频率范围	$f_0$	16.0MHz ~ 54.0MHz
Frequency Tolerance, Ta=25°C ± 3°C 常温频率偏差	$\Delta f/f$	±10ppm, ±20ppm
Load Capacitance 负载电容	$C_L$	6pF to 12pF or specify
Frequency Tolerance over Operating Temperature Range 频率温度特性	$\Delta f/f$	±20ppm, ±30ppm or specify
Operating Temperature Range 工作温度	$T_{OPR}$	-20°C ~ +70°C, -20°C ~ +85°C or specify
Storage Temperature Range 储存温度	$T_{STG}$	-55°C ~ +125°C
Drive Level 激励功率	DL	50μW Typ.
Shunt Capacitance 静态电容	$C_0$	2pF Max.
Insulation Resistance 绝缘电阻	IR	500MΩ Min.
Aging 老化率	$\Delta f_a$	±3ppm/Year Max.

### Equivalent Series Resistance (ESR) 串联谐振阻抗

Frequency Range	16 < $f_0$ ≤ 20	20 < $f_0$ ≤ 23	23 < $f_0$ ≤ 32	32 < $f_0$ ≤ 54
ESR	250Ω Max.	150Ω Max.	100Ω Max.	80Ω Max.

Please consult our sales representatives for other specifications. 如对其他规格查询, 请与我司销售人员联系。

### Dimensions



All specifications are subject to change without prior notice. 本公司保留修改规格的权利。

## SMCM-3225H



### FEATURES

- Ceramic epoxy sealed SMD package
- Small size
- Wide frequency range
- Best cost-performance option
- RoHS Compliant and Pb Free

### Electrical Specifications

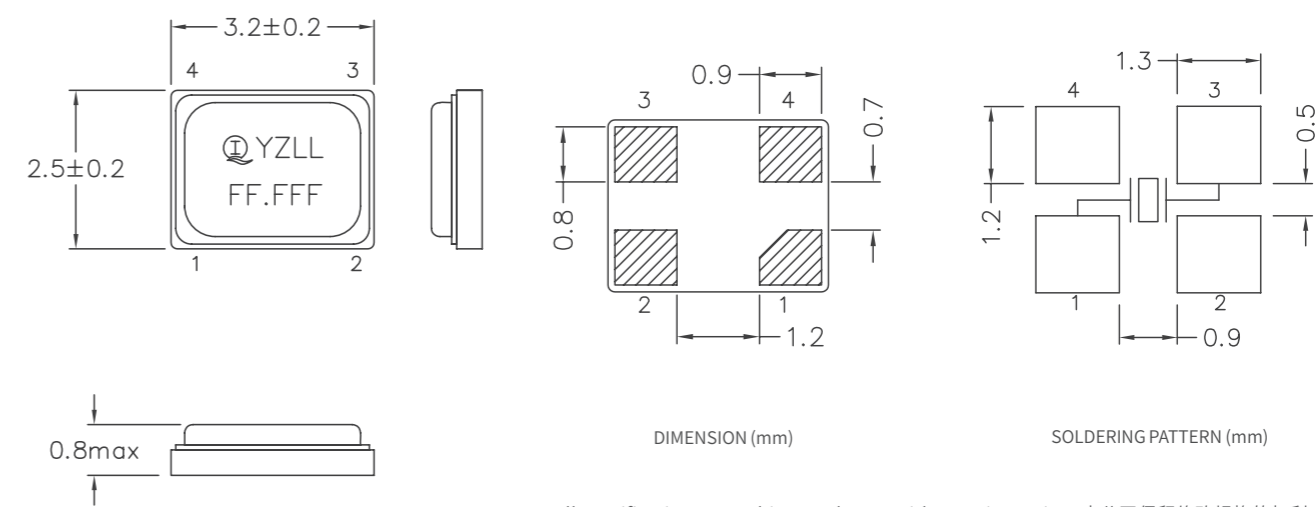
Parameters	Symbol	Specifications
Nominal Frequency Range 标称频率范围	$f_0$	12.0MHz ~ 54.0MHz
Frequency Tolerance, Ta=25°C ± 3°C 常温频率偏差	$\Delta f/f$	±10ppm, ±20ppm
Load Capacitance 负载电容	$C_L$	10pF or specify
Frequency Tolerance over Operating Temperature Range 频率温度特性	$\Delta f/f$	±10ppm, ±20ppm or specify
Operating Temperature Range 工作温度	$T_{OPR}$	-20°C ~ +70°C, -20°C ~ +85°C or specify
Storage Temperature Range 储存温度	$T_{STG}$	-55°C ~ +125°C
Drive Level 激励功率	DL	100μW Typ.
Shunt Capacitance 静态电容	$C_0$	2pF Max.
Insulation Resistance 绝缘电阻	IR	500MΩ Min.
Aging 老化率	$\Delta f_a$	±3ppm/Year Max.

### Equivalent Series Resistance (ESR) 串联谐振阻抗

Frequency Range	12 < $f_0$ ≤ 20	20 < $f_0$ ≤ 23	23 < $f_0$ ≤ 32	32 < $f_0$ ≤ 54
ESR	120Ω Max.	80Ω Max.	50Ω Max.	40Ω Max.

Please consult our sales representatives for other specifications. 如对其他规格查询, 请与我司销售人员联系。

### Dimensions



All specifications are subject to change without prior notice. 本公司保留修改规格的权利。

## Looking for pricing, stock, or lifecycle information?

Click below to explore more details on WIN SOURCE:

- ⊖ [View 5NMA32000101SF60Q2 on WIN SOURCE](#)
- ⊖ [Interquip Electronics](#) Information

## Optimize Your Supply Chain with WIN SOURCE Solutions

- ✓ Global Sourcing Solution
- ✓ Obsolete Management
- ✓ Cost Control Management
- ✓ Shortage Management
- ✓ Alternative Solution
- ✓ Excess Inventory Management