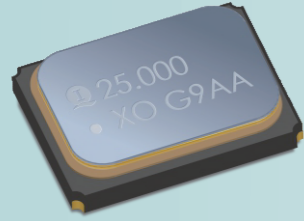




**THE DATASHEET OF
2631-12005-BVKQYA**



SPXO 3225 (163-B SERIES)



FEATURES

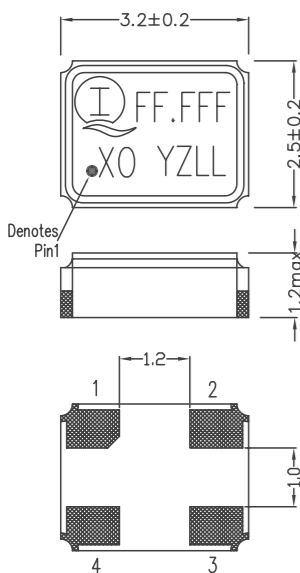
- Small size
- Low phase noise version available
- Low current consumption version available
- Conforms to AEC-Q100 (Optional)
- RoHS Compliant and Pb Free

Electrical Specifications

Parameters	Specifications
Output Waveform 输出波型	CMOS
Frequency Range 频率范围	32.768KHz 1MHz~50MHz 50MHz~160MHz
Supply Voltage Range (Vdd) 工作电压范围	1.0V~5V
Overall Frequency Stability 总频率偏差	±25ppm, ±30ppm, ±50ppm or specify
Operating Temperature Range 工作温度范围	-20°C~+70°C, -40°C~+85°C, -40°C~+125°C
Current Consumption (Idd) 消耗电流	100uA Max. 10mA Max.
Rise & Fall Time 上/下沿时间	20ns Max. 8ns Max. 3ns Max.
Output Symmetry 输出对称性	45%~55%
Output Voltage 输出电压	V _{OH} 90% VDD
	V _{OL} 10% VDD
Output Load 输出负载	15pF
Start-up Time 启动时间	10ms Max.
Storage Temperature Range 储存温度范围	-55°C~+125°C

** Inclusive of initial frequency tolerance at 25°C, operating temperature range, supply voltage change, load variation and 1st year aging.
包括在常温频率偏差, 工作温度范围的频率偏差, 首年老化率, 工作电压及负载变化造成的频率偏差。
Please consult our sales representatives for other specifications. 如对其他规格查询, 请与我司销售人员联系。

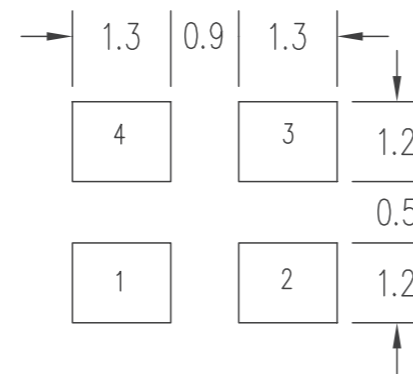
Dimensions



PIN CONNECTION

P/N	1631
1	Enable/Disable
2	GND
3	Output
4	VDD

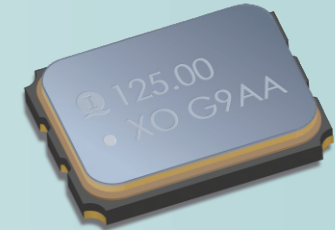
DIMENSION (mm)



SOLDERING PATTERN (mm)

All specifications are subject to change without prior notice. 本公司保留修改规格的权利。

SPXO 3225 (163-E SERIES) LVPECL Output



FEATURES

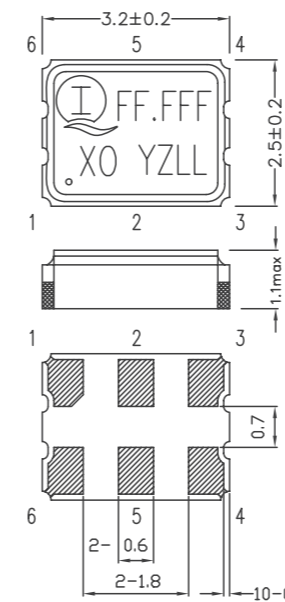
- Small size
- Excellent low phase noise and jitter
- Suitable for 5G Network terminal
- High Reliability and stability
- RoHS Compliant and Pb Free

Electrical Specifications

Parameters	Specifications
Output Waveform 输出波型	LVPECL
Frequency Range 频率范围	20MHz~200MHz
Supply Voltage Range (Vdd) 工作电压范围	2.5V~3.3V
Overall Frequency Stability 总频率偏差	±50ppm or specify
Operating Temperature Range 工作温度范围	-20°C~+70°C, -40°C~+85°C
Current Consumption (Idd) 消耗电流	80mA Max.
Rise & Fall Time 上/下沿时间	1ns Max.
Output Symmetry 输出对称性	45%~55%
Output Voltage 输出电压	V _{OH} Vdd-1.025V Min. Vdd-0.88V Max.
	V _{OL} Vdd-1.81V Min. Vdd-1.62V Max.
Output Load 输出负载	50Ω to Vdd-2.0V
Start-up Time 启动时间	10ms Max.
Storage Temperature Range 储存温度范围	-55°C~+125°C
Phase Jitter (12KHz~20MHz) 相位抖动	1 pSec @ 155MHz

** Inclusive of initial frequency tolerance at 25°C, operating temperature range, supply voltage change, load variation and 1st year aging.
包括在常温频率偏差, 工作温度范围的频率偏差, 首年老化率, 工作电压及负载变化造成的频率偏差。
Please consult our sales representatives for other specifications. 如对其他规格查询, 请与我司销售人员联系。

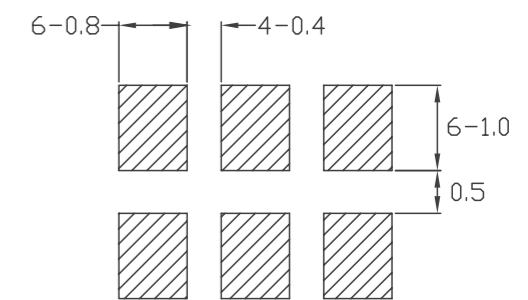
Dimensions



PIN CONNECTION

P/N	1631 LVPECL
1	Enable/Disable
2	N/C
3	GND
4	OUT
5	OUTN
6	VDD

DIMENSION (mm)



SOLDERING PATTERN (mm)

All specifications are subject to change without prior notice. 本公司保留修改规格的权利。

Looking for pricing, stock, or lifecycle information?

Click below to explore more details on WIN SOURCE:

- ⊖ [View 2631-12005-BVKQYA](#) on WIN SOURCE
- ⊖ [Interquip Electronics](#) Information

Optimize Your Supply Chain with WIN SOURCE Solutions

- ✓ Global Sourcing Solution
- ✓ Obsolete Management
- ✓ Cost Control Management
- ✓ Shortage Management
- ✓ Alternative Solution
- ✓ Excess Inventory Management