



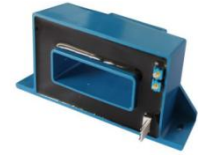
THE DATASHEET OF FS-AX



FS2500AX 系列霍尔电流传感器

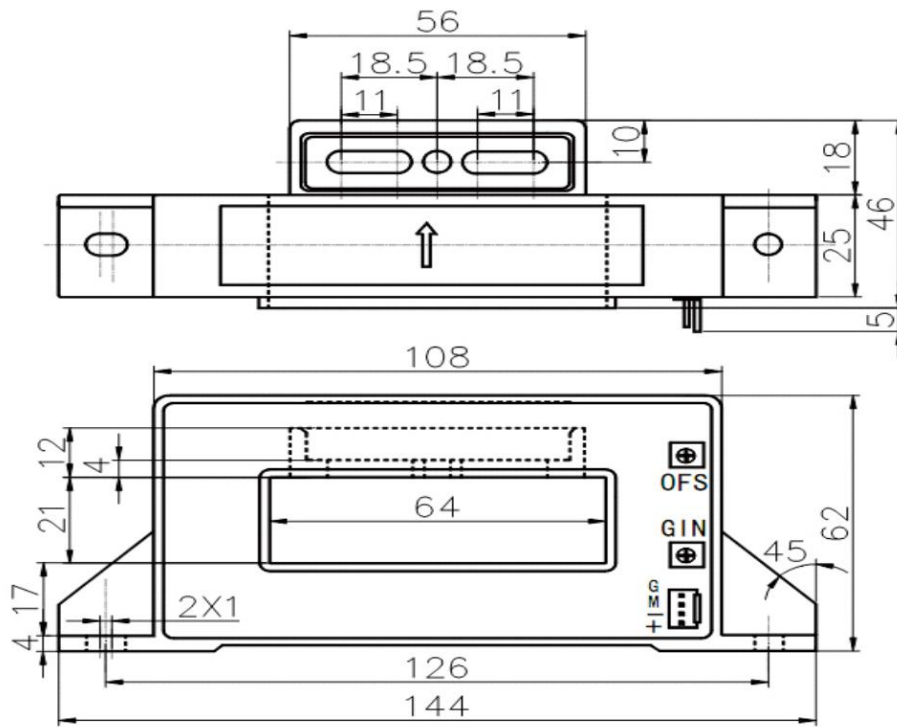
应用霍尔效应开环原理的电流传感器，能在电隔离条件下测量直流、交流、脉冲以及各种不规则波形的电流。

Open loop current sensor based on the principle of Hall-effect It can be used for measuring AC,DC,pulsed and mixed current.



电参数/Electrical characteristics								
	型号 Type	FS500AX	FS600AX	FS1000AX	FS1500AX	FS2000AX	FS2500AX	
I_{PN}	原边额定输入电流 Primary nominal input current	500	600	1000	1500	2000	2500	A
I_P	原边电流测量范围 Measuring range of primary current	0~±1500	0~±1800	0~±3000	0~±4500	0~±5000	0~±5000	A
V_{OUT}	副边额定输出电压 Nominal output voltage	4±1%						V
V_C	电源电压 Supply voltage	±15 (±5%)						V
I_C	静态电流消耗 Static current consumption	$V_C = \pm 15V$		<20				mA
V_d	绝缘电压 Insulation voltage	在原边与副边电路之间5KV有效值/50Hz/1分钟 5KV RMS /50Hz/1 min between primary and secondary side circuits						
ϵ_L	线性度 Linearity	<0.5						%
V_0	零点失调电压 Offset voltage	$T_A = 25^\circ C$		<±20				mV
V_{OM}	磁失调电压 Residual voltage	$I_{PN} \rightarrow 0$		<±30				mV
V_{OT}	失调电压温漂 Thermal drift of V_0	$I_P = 0$ $T_A = -40 \sim +85^\circ C$		<±0.5				mV/°C
T_r	响应时间 Response time	≤5.5						μs
T_A	工作环境温度 Ambient operating temperature	-40~+85						°C
T_S	贮存环境温度 Ambient storage temperature	-40~+125						°C
	标准 Standard	GI/FS-0105						

外形尺寸(mm)/Dimensions of drawing(mm)



使用说明/Remarks

- 错误的接线可能导致传感器损坏。传感器通电后，当被测电流从传感器箭头方向穿过，即可在输出端测得同相电压值。
Incorrect wiring may cause damage to the sensor. After the sensor is powered on, when the measured current passes through the arrow direction of the sensor, the in-phase voltage value can be measured at the output end.
- 传感器的输出幅度可根据用户需求进行适当的调节。
The output amplitude of the sensor can be adjusted according to the user's needs.
- 可按用户需求定制不同额定输入电流和输出电压的传感器。
Sensors with different rated input current and output voltage can be customized according to user requirements.

Looking for pricing, stock, or lifecycle information?

Click below to explore more details on WIN SOURCE:

-  [View FS-AX on WIN SOURCE](#)
-  [Shanghai Freesor Sensor Technology Co.,Ltd Information](#)

Optimize Your Supply Chain with WIN SOURCE Solutions

-  Global Sourcing Solution
-  Obsolete Management
-  Cost Control Management
-  Shortage Management
-  Alternative Solution
-  Excess Inventory Management