



THE DATASHEET OF FS-CKT5



FS1500CKT5 新能源电动汽车传感器



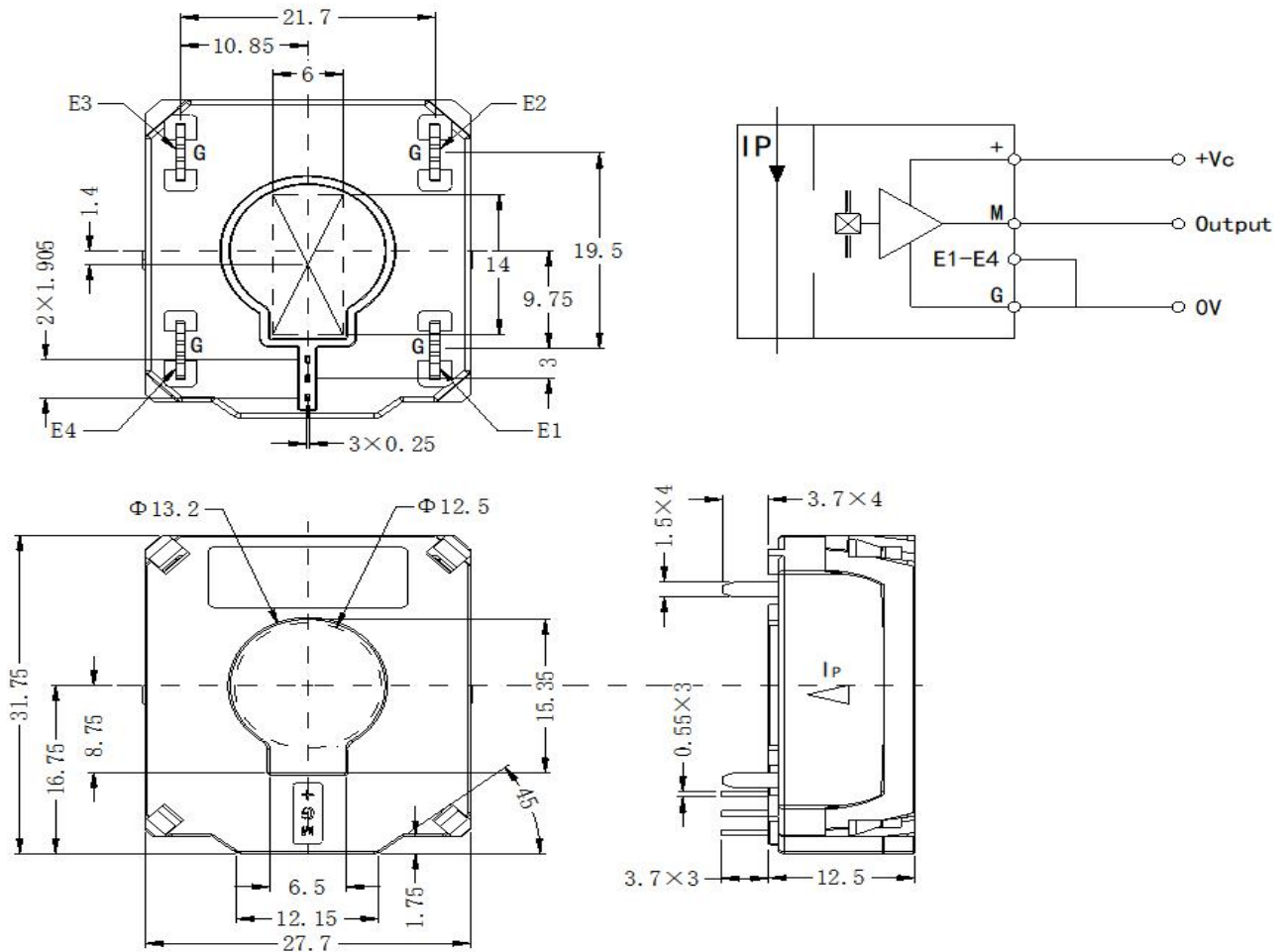
应用霍尔效应原理研制的开环电流传感器,能在原边与副边电隔离条件下测量直流、交流、脉冲以及各种不规则波形的电流。

Open loop current sensor based on the principle of Hall-effect It can be used for measuring AC,DC, pulsed and mixed current.

电参数/Electrical characteristics								
	型号 Type	FS100CKT5	FS300CKT5	FS500CKT5	FS800CKT5	FS1000CKT5	FS1500CKT5	
I_{PN}	原边额定输入电流 Primary nominal input current	100A	300A	500A	800A	1000A	1500A	A
I_P	原边电流测量范围 Measuring range of primary current	0~±120A	0~±360A	0~±600A	0~±960A	0~±1200A	0~±1500A	A
V_{SN}	副边额定输出电压 Secondary nominal output voltage	2.5±2						V
V_C	电源电压 Supply voltage	+5(±5%)						V
I_C	电流消耗 Current consumption	<20						mA
V_d	绝缘电压 Insulation voltage	在原边与副边电路之间 3 KV 有效值/50Hz/1 分钟						
ϵ_L	线性度 Linearity	<0.5						%FS
V_0	零点失调电压 Zero offset voltage	$T_A=25^\circ\text{C}$	2.5±0.015					V
V_{OM}	磁失调电压 Residual voltage	$I_{PN} \rightarrow 0$	<±10					mV
V_{OT}	失调电压温漂 Thermal drift of V0	$I_p=0$	$T_A=-25\sim+85^\circ\text{C}$		<±0.5			mV/°C
T_R	响应时间 Response time	≤5						μs
f	频带宽度(-3dB) Frequency bandwidth(-3dB)	DC~50						kHz
T_A	工作环境温度 Ambient operating temperature	-40~+125						°C

T_s	贮存环境温度 Ambient storage temperature	-40~+150	°C
R_L	负载电阻 Load resistance	$\geq 10K$	Ω
	标准 Standard	GI/FS-0105	

外形尺寸 (mm) /Dimensions of drawing(mm)



V_{out}	G	V_{cc}
输出	地(电源 COM)	电源(+5v)

使用说明/Remarks

1. 在IP 按箭头方向流动时, IS 是正向;

When the IP address flows in the arrow direction, IS is in the forward direction.

2. 初级导体温度不应超过 100℃;

Primary conductor temperature should not exceed 100°C.

3. 母排完全充满初级穿孔时动态表现 (di/dt 和响应时间为最佳);

The dynamic performance (di/dt and response time) is the best when the bus bar is fully filled with primary perforations.

4. 为了达到最佳的磁耦合, 初级线匝应绕在传感器顶部;

In order to achieve the best magnetic coupling, the primary turns should be wound around the top of the sensor.

5. 可以根据客户的要求来定制产品。

Products can be customized according to customer requirements.

Looking for pricing, stock, or lifecycle information?

Click below to explore more details on WIN SOURCE:

- [View FS-CKT5 on WIN SOURCE](#)
- [Shanghai Freesor Sensor Technology Co.,Ltd Information](#)

Optimize Your Supply Chain with WIN SOURCE Solutions

- ✓ Global Sourcing Solution
- ✓ Obsolete Management
- ✓ Cost Control Management
- ✓ Shortage Management
- ✓ Alternative Solution
- ✓ Excess Inventory Management