



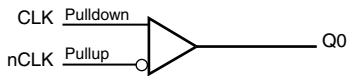
## General Description

The 83021I is a 1-to-1 Differential-to-LVCMOS/ LVTTL Translator and a member of the family of High Performance Clock Solutions from IDT. The differential input is highly flexible and can accept the following input types: LVPECL, LVDS, LVHSTL, SSTL, and HCSL. The small 8-lead SOIC footprint makes this device ideal for use in applications with limited board space.

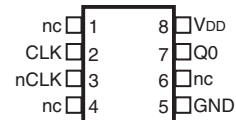
## Features

- One LVCMOS/LVTTL output
- Differential CLK/nCLK input pair
- CLK/nCLK pair can accept the following differential input levels: LVPECL, LVDS, LVHSTL, SSTL, HCSL
- Output frequency: 350MHz (typical)
- Part-to-part skew: 500ps (maximum)
- Additive phase jitter, RMS: 0.21ps (typical), 3.3V output
- Full 3.3V and 2.5V operating supply
- -40°C to 85°C ambient operating temperature

## Block Diagram



## Pin Assignment



**83021I**

**8-Lead SOIC, 150Mil**

**3.9mm x 4.9mm x 1.375mm package body**

**M Package**

**Top View**

**Table 1. Pin Descriptions**

Number	Name	Type		Description
1, 4, 6	nc	Unused		No connect.
2	CLK	Input	Pulldown	Non-inverting differential clock input.
3	nCLK	Input	Pullup	Inverting differential clock input.
5	GND	Power		Power supply ground.
7	Q0	Output		Single-ended clock output. LVCMOS/LVTTL interface levels.
8	V <sub>DD</sub>	Power		Positive supply pin.

NOTE: *Pullup and Pulldown* refer to internal input resistors. See Table 2, *Pin Characteristics*, for typical values.

**Table 2. Pin Characteristics**

Symbol	Parameter	Test Conditions	Minimum	Typical	Maximum	Units
C <sub>IN</sub>	Input Capacitance			4		pF
R <sub>PULLUP</sub>	Input Pullup Resistor			51		kΩ
R <sub>PULLDOWN</sub>	Input Pulldown Resistor			51		kΩ
C <sub>PD</sub>	Power Dissipation Capacitance	V <sub>DD</sub> = 3.6V		23		pF
R <sub>OUT</sub>	Output Impedance		5	7	12	Ω

## Absolute Maximum Ratings

NOTE: Stresses beyond those listed under *Absolute Maximum Ratings* may cause permanent damage to the device. These ratings are stress specifications only. Functional operation of product at these conditions or any conditions beyond those listed in the *DC Characteristics* or *AC Characteristics* is not implied. Exposure to absolute maximum rating conditions for extended periods may affect product reliability.

Item	Rating
Supply Voltage, $V_{DD}$	4.6V
Inputs, $V_I$	-0.5V to $V_{DD} + 0.5V$
Outputs, $V_O$	-0.5V to $V_{DD} + 0.5V$
Package Thermal Impedance, $\theta_{JA}$	103°C/W (0 lfpm)
Storage Temperature, $T_{STG}$	-65°C to 150°C

## DC Electrical Characteristics

**Table 3A. Power Supply DC Characteristics,  $V_{DD} = 3.3V \pm 0.3V$  or  $2.5V \pm 5\%$ ,  $T_A = -40^\circ C$  to  $85^\circ C$**

Symbol	Parameter	Test Conditions	Minimum	Typical	Maximum	Units
$V_{DD}$	Positive Supply Voltage		3.0	3.3	3.6	V
			2.375	2.5	2.625	V
$I_{DD}$	Power Supply Current				20	mA

**Table 3B. LVCMOS/LVTTL DC Characteristics,  $V_{DD} = 3.3V \pm 0.3V$  or  $2.5V \pm 5\%$ ,  $T_A = -40^\circ C$  to  $85^\circ C$**

Symbol	Parameter	Test Conditions	Minimum	Typical	Maximum	Units
$V_{OH}$	Output High Voltage; NOTE 1	$V_{DD} = 3.6V$	2.6			V
		$V_{DD} = 2.625V$	1.8			V
$V_{OL}$	Output Low Voltage; NOTE 1	$V_{DD} = 3.6V$ or $2.625V$			0.5	V

NOTE 1: Outputs terminated with  $50\Omega$  to  $V_{DD}/2$ . See Parameter Measurement Information, *Output Load Test Circuit Diagrams*.

**Table 3C. Differential DC Characteristics,  $V_{DD} = 3.3V \pm 0.3V$  or  $2.5V \pm 5\%$ ,  $T_A = -40^\circ C$  to  $85^\circ C$**

Symbol	Parameter	Test Conditions	Minimum	Typical	Maximum	Units	
$I_{IH}$	Input High Current	nCLK	$V_{IN} = V_{DD} = 3.6V$ or $2.625V$			5	$\mu A$
		CLK	$V_{IN} = V_{DD} = 3.6V$ or $2.625V$			150	$\mu A$
$I_{IL}$	Input Low Current	nCLK	$V_{IN} = 0V$ , $V_{DD} = 3.6V$ or $2.625V$	-150			$\mu A$
		CLK	$V_{IN} = 0V$ , $V_{DD} = 3.6V$ or $2.625V$	-5			$\mu A$
$V_{PP}$	Peak-to-Peak Input Voltage		0.15		1.3	V	
$V_{CMR}$	Common Mode Input Voltage; NOTE 1, 2		GND + 0.5		$V_{DD} - 0.85$	V	

NOTE 1: For single ended applications, the maximum input voltage for CLK, nCLK is  $V_{DD} + 0.3V$ .

NOTE 2: Common mode voltage is defined as  $V_{IH}$ .

## AC Electrical Characteristics

**Table 4A. AC Characteristics,  $V_{DD} = 3.3V \pm 0.3V$ ,  $T_A = -40^{\circ}C$  to  $85^{\circ}C$** 

Parameter	Symbol	Test Conditions	Minimum	Typical	Maximum	Units
$f_{MAX}$	Output Frequency			350		MHz
$t_{PD}$	Propagation Delay, NOTE 1	$f \leq 350MHz$	1.7	2.0	2.3	ns
$t_{sk(pp)}$	Part-to-Part Skew; NOTE 2, 3				500	ps
$t_{jit}$	Buffer Additive Phase Jitter, RMS; refer to Additive Phase Jitter Section	100MHz, Integration Range (637kHz – 10MHz)		0.21		ps
$t_R / t_F$	Output Rise/Fall Time	0.8V to 2V	100	250	400	ps
odc	Output Duty Cycle	$f \leq 166MHz$	45	50	55	%
		$166MHz < f \leq 350MHz$	40	50	60	%

NOTE: Electrical parameters are guaranteed over the specified ambient operating temperature range, which is established when the device is mounted in a test socket with maintained transverse airflow greater than 500 lfpm. The device will meet specifications after thermal equilibrium has been reached under these conditions.

All parameters measured at  $f_{MAX}$  unless noted otherwise.

NOTE 1: Measured from the differential input crossing point to the output at  $V_{DD}/2$ .

NOTE 2: Defined as skew between outputs on different devices operating at the same supply voltage and with equal load conditions. Using the same type of inputs on each device, the outputs are measured at  $V_{DD}/2$ .

NOTE 3: This parameter is defined in accordance with JEDEC Standard 65.

**Table 4B. AC Characteristics,  $V_{DD} = 2.5V \pm 5\%$ ,  $T_A = -40^{\circ}C$  to  $85^{\circ}C$** 

Parameter	Symbol	Test Conditions	Minimum	Typical	Maximum	Units
$f_{MAX}$	Output Frequency			350		MHz
$t_{PD}$	Propagation Delay, NOTE 1	$f \leq 350MHz$	1.9	2.2	2.5	ns
$t_{sk(pp)}$	Part-to-Part Skew; NOTE 2, 3				500	ps
$t_{jit}$	Buffer Additive Phase Jitter, RMS; refer to Additive Phase Jitter Section	100MHz, Integration Range (637kHz – 10MHz)		0.21		ps
$t_R / t_F$	Output Rise/Fall Time	20% to 80%	250		550	ps
odc	Output Duty Cycle	$f \leq 250MHz$	45	50	55	%
		$250MHz < f \leq 350MHz$	40	50	60	%

NOTE: Electrical parameters are guaranteed over the specified ambient operating temperature range, which is established when the device is mounted in a test socket with maintained transverse airflow greater than 500 lfpm. The device will meet specifications after thermal equilibrium has been reached under these conditions.

All parameters measured at  $f_{MAX}$  unless noted otherwise.

NOTE 1: Measured from the differential input crossing point to the output at  $V_{DD}/2$ .

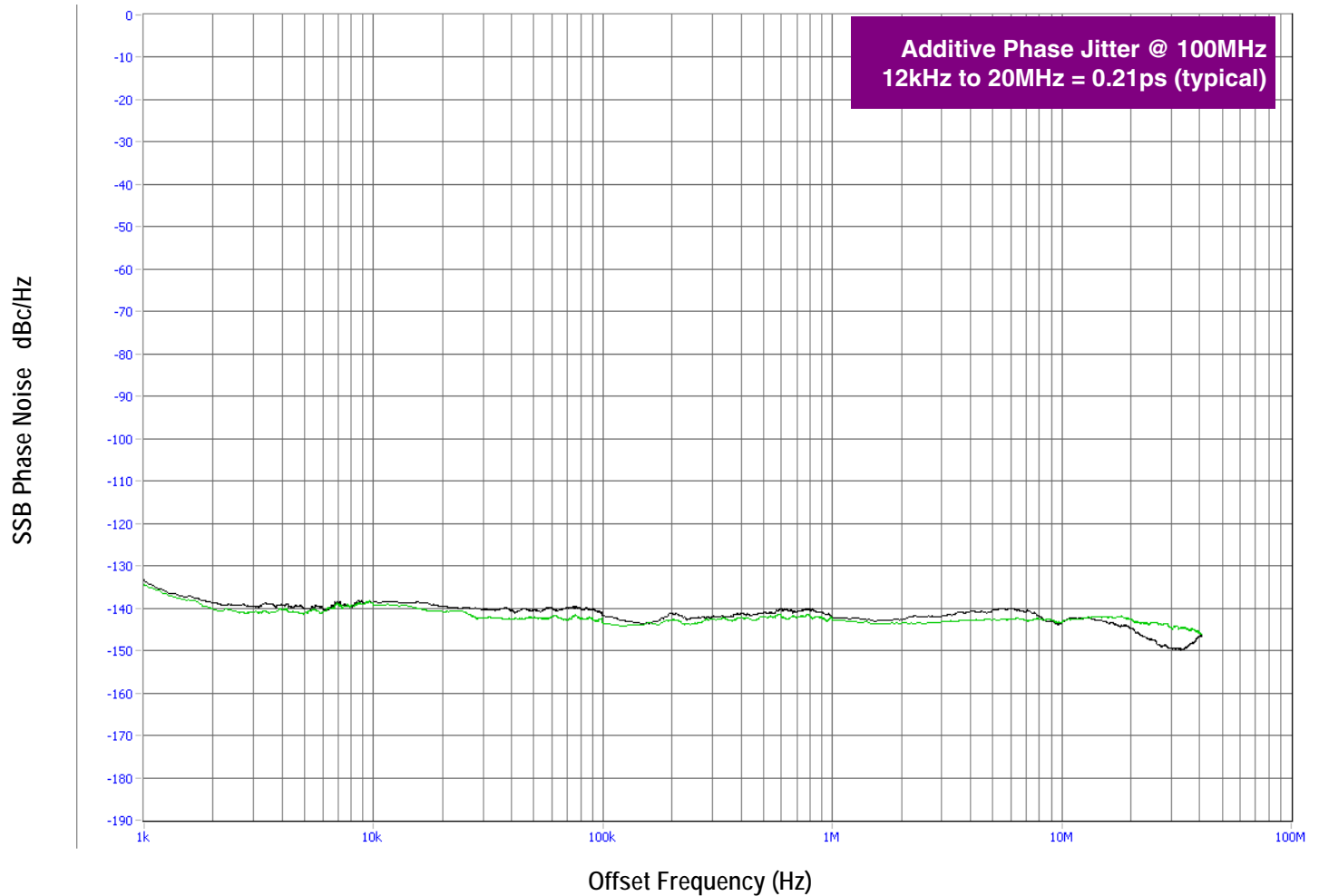
NOTE 2: Defined as skew between outputs on different devices operating at the same supply voltage and with equal load conditions. Using the same type of inputs on each device, the outputs are measured at  $V_{DD}/2$ .

NOTE 3: This parameter is defined in accordance with JEDEC Standard 65.

## Additive Phase Jitter

The spectral purity in a band at a specific offset from the fundamental compared to the power of the fundamental is called the ***dBc Phase Noise***. This value is normally expressed using a Phase noise plot and is most often the specified plot in many applications. Phase noise is defined as the ratio of the noise power present in a 1Hz band at a specified offset from the fundamental frequency to the power value of the fundamental. This ratio is expressed in decibels (dBm) or a ratio of the power in the 1Hz band

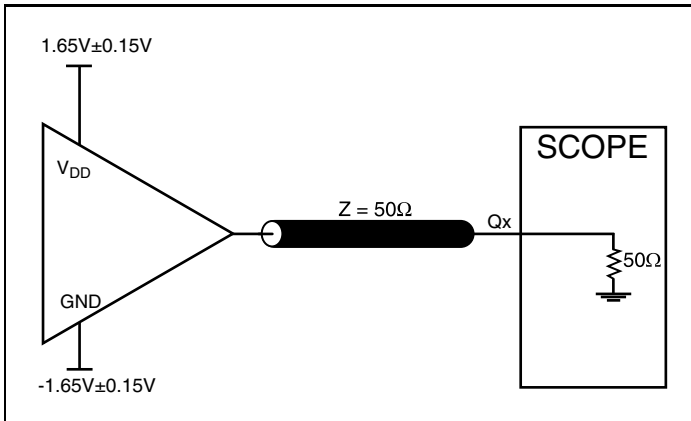
to the power in the fundamental. When the required offset is specified, the phase noise is called a ***dBc*** value, which simply means dBm at a specified offset from the fundamental. By investigating jitter in the frequency domain, we get a better understanding of its effects on the desired application over the entire time record of the signal. It is mathematically possible to calculate an expected bit error rate given a phase noise plot.



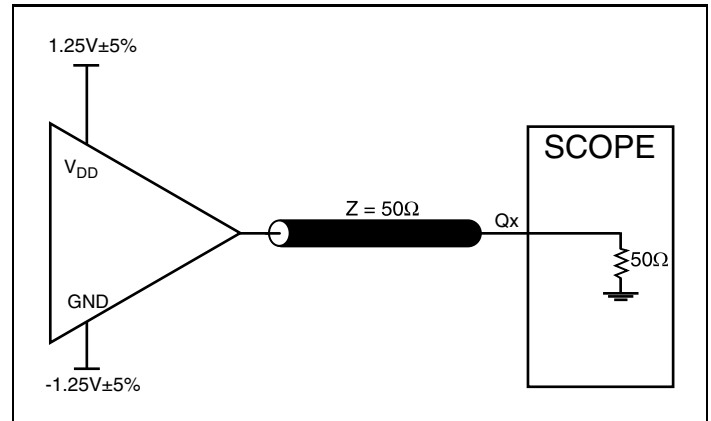
As with most timing specifications, phase noise measurements has issues relating to the limitations of the equipment. Often the noise floor of the equipment is higher than the noise floor of the

device. This is illustrated above. The device meets the noise floor of what is shown, but can actually be lower. The phase noise is dependent on the input source and measurement equipment.

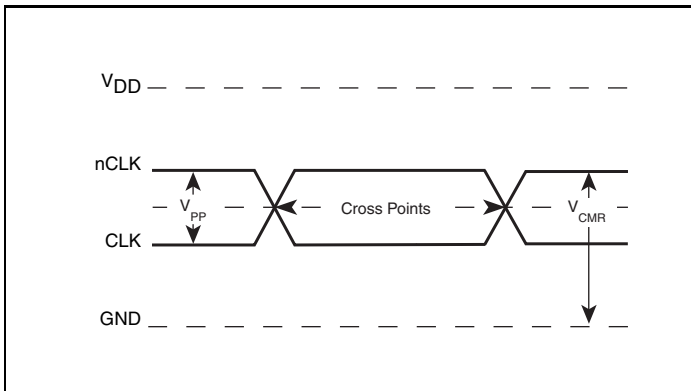
### Parameter Measurement Information



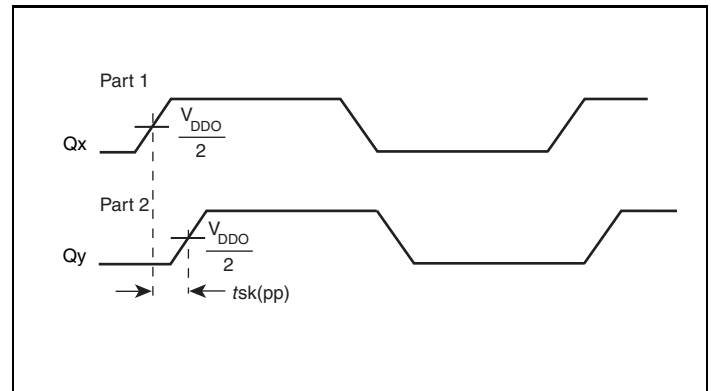
3.3V Core/3.3V LVCMOS Output Load AC Test Circuit



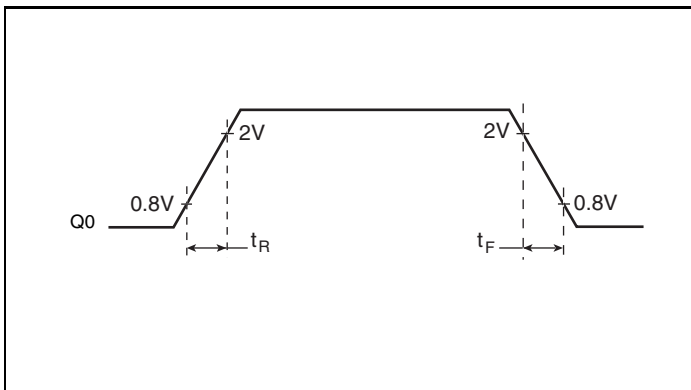
2.5V Core/2.5V LVCMOS Output Load AC Test Circuit



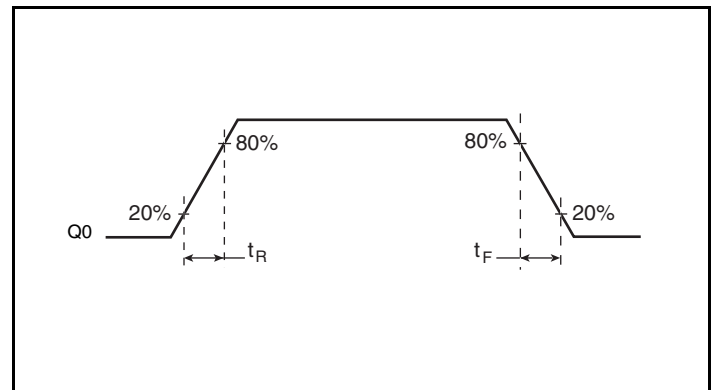
Differential Input Level



Part-to-Part Skew

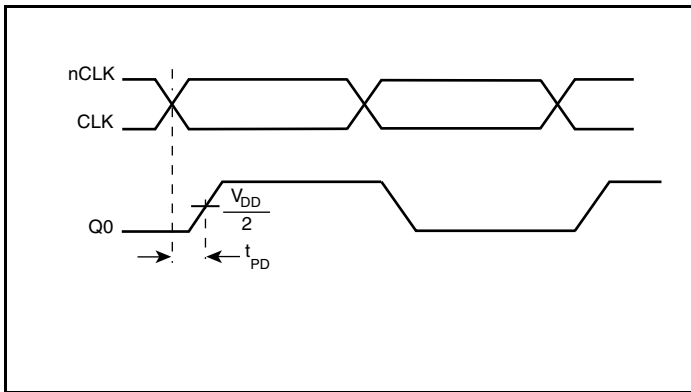


3.3V Output Rise/Fall Time

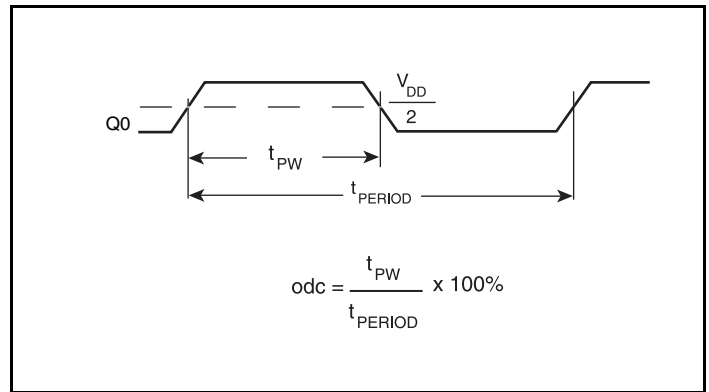


2.5V Output Rise/Fall Time

## Parameter Measurement Information, continued



Propagation Delay



Output Duty Cycle/Pulse Width/Period

## Application Information

### Wiring the Differential Input to Accept Single Ended Levels

Figure 1 shows how the differential input can be wired to accept single ended levels. The reference voltage  $V_{\text{REF}} = V_{\text{DD}}/2$  is generated by the bias resistors R1, R2 and C1. This bias circuit should be located as close as possible to the input pin. The ratio of R1 and R2 might need to be adjusted to position the  $V_{\text{REF}}$  in the center of the input voltage swing. For example, if the input clock swing is only 2.5V and  $V_{\text{DD}} = 3.3\text{V}$ ,  $V_{\text{REF}}$  should be 1.25V and  $R2/R1 = 0.609$ .

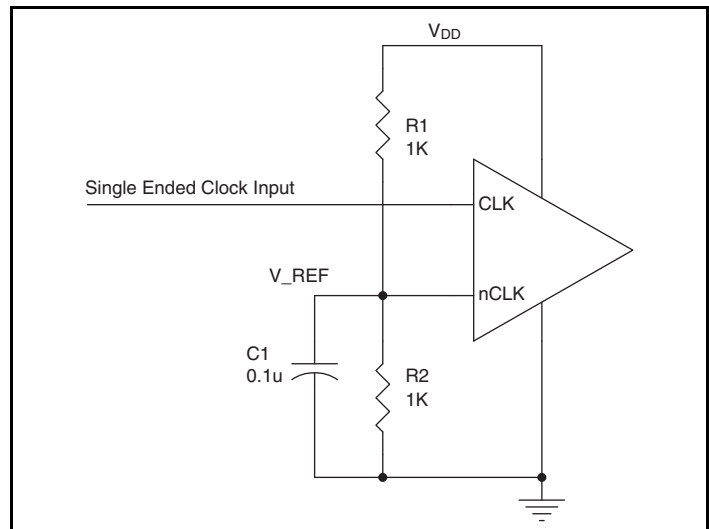
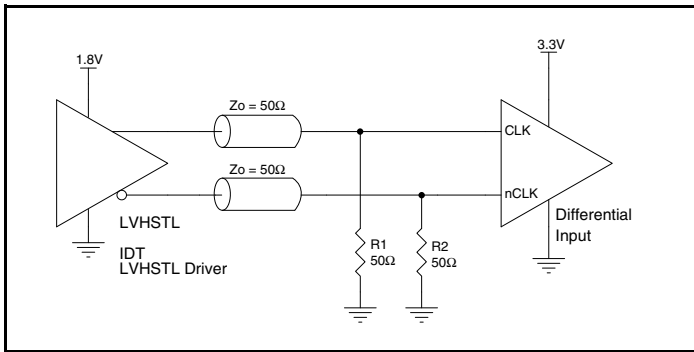


Figure 1. Single-Ended Signal Driving Differential Input

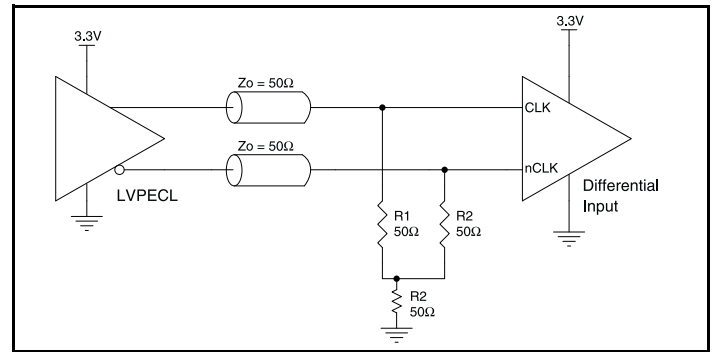
## Differential Clock Input Interface

The CLK /nCLK accepts LVDS, LVPECL, LVHSTL, SSTL, HCSL and other differential signals. Both signals must meet the  $V_{PP}$  and  $V_{CMR}$  input requirements. Figures 2A to 2F show interface examples for the HiPerClockS CLK/nCLK input driven by the most common driver types. The input interfaces suggested here are examples only. Please consult with the vendor of the driver

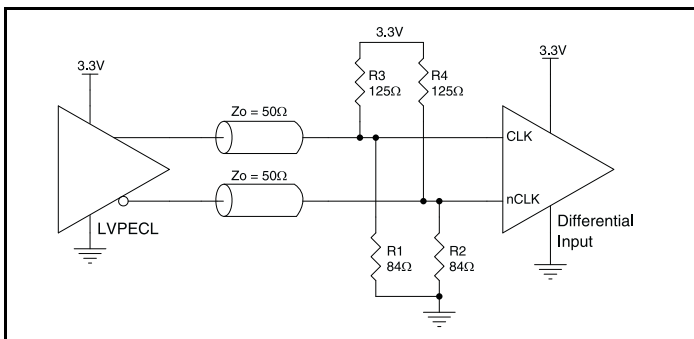
component to confirm the driver termination requirements. For example, in Figure 2A, the input termination applies for IDT HiPerClockS open emitter LVHSTL drivers. If you are using an LVHSTL driver from another vendor, use their termination recommendation.



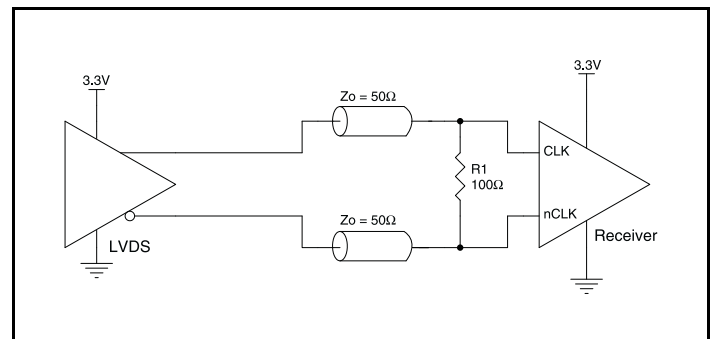
**Figure 2A. HiPerClockS CLK/nCLK Input Driven by an IDT Open Emitter HiPerClockS LVHSTL Driver**



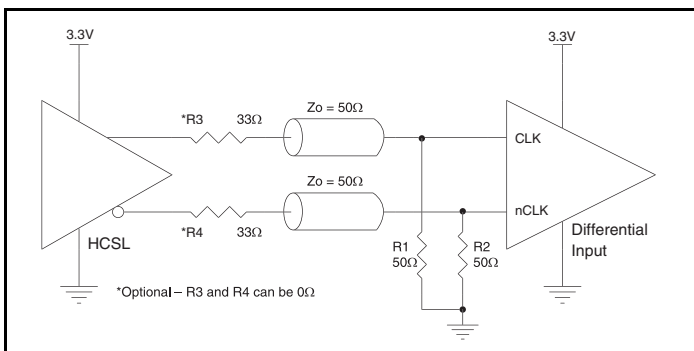
**Figure 2B. HiPerClockS CLK/nCLK Input Driven by a 3.3V LVPECL Driver**



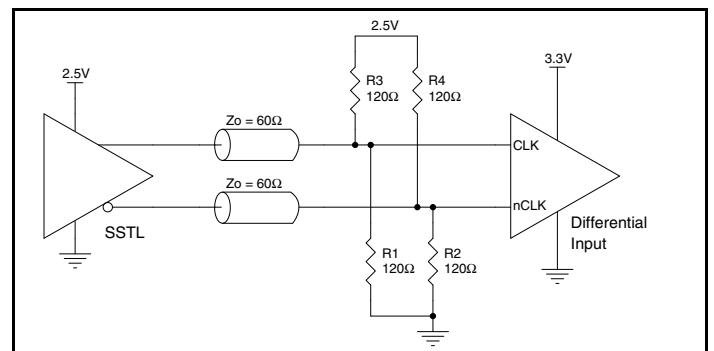
**Figure 2C. HiPerClockS CLK/nCLK Input Driven by a 3.3V LVPECL Driver**



**Figure 2D. HiPerClockS CLK/nCLK Input Driven by a 3.3V LVDS Driver**



**Figure 2E. HiPerClockS CLK/nCLK Input Driven by a 3.3V HCSL Driver**



**Figure 2F. HiPerClockS CLK/nCLK Input Driven by a 2.5V SSTL Driver**

## Reliability Information

**Table 5.  $\theta_{JA}$  vs. Air Flow Table for an 8 Lead SOIC**

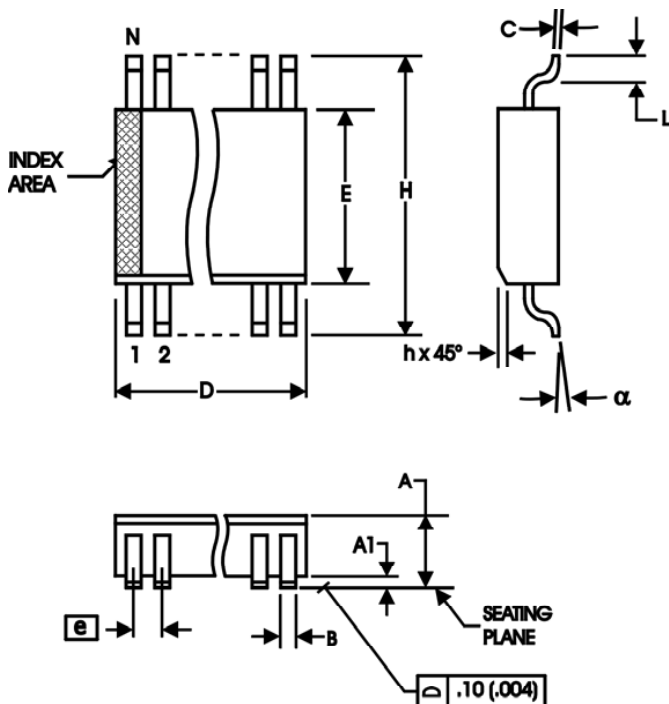
Linear Feet per Minute	$\theta_{JA}$ by Velocity		
	0	200	500
Single-Layer PCB, JEDEC Standard Test Boards	123°C/W	110°C/W	99°C/W
Multi-Layer PCB, JEDEC Standard Test Boards	103°C/W	94°C/W	89°C/W

## Transistor Count

The transistor count for 83021I is: 416  
 Pin-to-pin compatible with the MC100EPT21

## Package Outline and Package Dimensions

**Package Outline - M Suffix for 8 Lead SOIC**



**Table 6. Package Dimensions**

All Dimensions in Millimeters		
Symbol	Minimum	Maximum
N	8	
A	1.35	1.75
A1	0.10	0.25
B	0.33	0.51
C	0.19	0.25
D	4.80	5.00
E	3.80	4.00
e	1.27 Basic	
H	5.80	6.20
h	0.25	0.50
L	0.40	1.27
$\alpha$	0°	8°

Reference Document: JEDEC Publication 95, MS-012

## Ordering Information

Table 7. Ordering Information

Part/Order Number	Marking	Package	Shipping Packaging	Temperature
83021AMILF	83021AIL	"Lead-Free" 8 Lead SOIC	Tube	-40°C to 85°C
83021AMILFT	83021AIL	"Lead-Free" 8 Lead SOIC	Tape & Reel	-40°C to 85°C

## Revision History Sheet

Rev	Table	Page	Description of Change	Date
B	T2	2	Pin Characteristics table - added 2.5V $C_{PD}$ .	6/3/04
	T3B	3	Added 2.5V Power Supply table.	
	T3C	3	LVC MOS table - added 2.5V $V_{OH}$ .	
	T3D	3	Differential table - added 2.5V.	
	T4B	4	Added 2.5V AC Characteristics table.	
		5	Added 2.5V Output Load AC Test Circuit Diagram, and 2.5V Output Rise/Fall Time Diagrams.	
		6	Updated Figure 1.	
		7	Added Differential Clock Input Interface section.	
B	T4A	2	Pin Characteristics Table - changed $C_{IN}$ 4pF max. to 4pF typical.	6/30/04
		4	3.3V AC Characteristics Table - changed odc Test Conditions.	
B	T7	1	Features Section - added Lead-Free bullet.	3/21/05
		10	Ordering Information Table - Added Lead-Free part number.	
C	T4A, T4B	1	Features Section - added Additive Phase Jitter bullet.	12/12/05
		4	AC Characteristics Tables - added Additive Phase Jitter row.	
	5	Added Additive Phase Jitter Plot.		
	11	Added Lead-Free Note.		
C		1	Pin Assignment - corrected package body measurements.	6/18/08
		8	Updated <i>Differential Clock Input Interface</i> .	
		9	Updated <i>Reliability Information</i> . Updated datasheet format .	
C	T4A, T4B	1	Corrected typo in Header from 1-to-2... to 1-to-1....	10/31/08
		4	AC Tables - added Temperature NOTE.	
D	T7	10	Remove leaded orderable parts from Ordering Information table	11/14/12
D		1	Features section - removed leaded part note.	4/23/14
			Description - removed chip	
D	T7	1	Removed HiPerClockS from General Description.	12/14/15
		10	Ordering Information - removed 2500 from Tape and Reel. Updated Datasheet header and footer.	



Corporate Headquarters  
6024 Silver Creek Valley Road  
San Jose, CA 95138 USA  
[www.IDT.com](http://www.IDT.com)

Sales  
1-800-345-7015 or 408-284-8200  
Fax: 408-284-2775  
[www.IDT.com/go/sales](http://www.IDT.com/go/sales)

Tech Support  
[www.idt.com/go/support](http://www.idt.com/go/support)

DISCLAIMER Integrated Device Technology, Inc. (IDT) reserves the right to modify the products and/or specifications described herein at any time, without notice, at IDT's sole discretion. Performance specifications and operating parameters of the described products are determined in an independent state and are not guaranteed to perform the same way when installed in customer products. The information contained herein is provided without representation or warranty of any kind, whether express or implied, including, but not limited to, the suitability of IDT's products for any particular purpose, an implied warranty of merchantability, or non-infringement of the intellectual property rights of others. This document is presented only as a guide and does not convey any license under intellectual property rights of IDT or any third parties.

IDT's products are not intended for use in applications involving extreme environmental conditions or in life support systems or similar devices where the failure or malfunction of an IDT product can be reasonably expected to significantly affect the health or safety of users. Anyone using an IDT product in such a manner does so at their own risk, absent an express, written agreement by IDT.

Integrated Device Technology, IDT and the IDT logo are trademarks or registered trademarks of IDT and its subsidiaries in the United States and other countries. Other trademarks used herein are the property of IDT or their respective third party owners.

For datasheet type definitions and a glossary of common terms, visit [www.idt.com/go/glossary](http://www.idt.com/go/glossary).

Copyright ©2015 Integrated Device Technology, Inc. All rights reserved.

## Looking for pricing, stock, or lifecycle information?

Click below to explore more details on WIN SOURCE:

- ⊖ [View ICS83021AMILFT on WIN SOURCE](#)
- ⊖ [IDT, Integrated Device Technology Inc Information](#)

## Optimize Your Supply Chain with WIN SOURCE Solutions

- ✓ Global Sourcing Solution
- ✓ Obsolete Management
- ✓ Cost Control Management
- ✓ Shortage Management
- ✓ Alternative Solution
- ✓ Excess Inventory Management