



**THE DATASHEET OF
ICS650R-07**



NETWORKING CLOCK SOURCE
ICS650-07C
Description

The ICS650-07C is a low cost, low jitter, high performance clock synthesizer for networking applications. Using analog Phase-Locked Loop (PLL) techniques, the device accepts a 12.5 MHz or 25.00 MHz clock or fundamental mode crystal input to produce multiple output clocks for networking chips, PCI devices, SDRAM, and ASICs. The ICS650-07C outputs all have 0 ppm synthesis error.

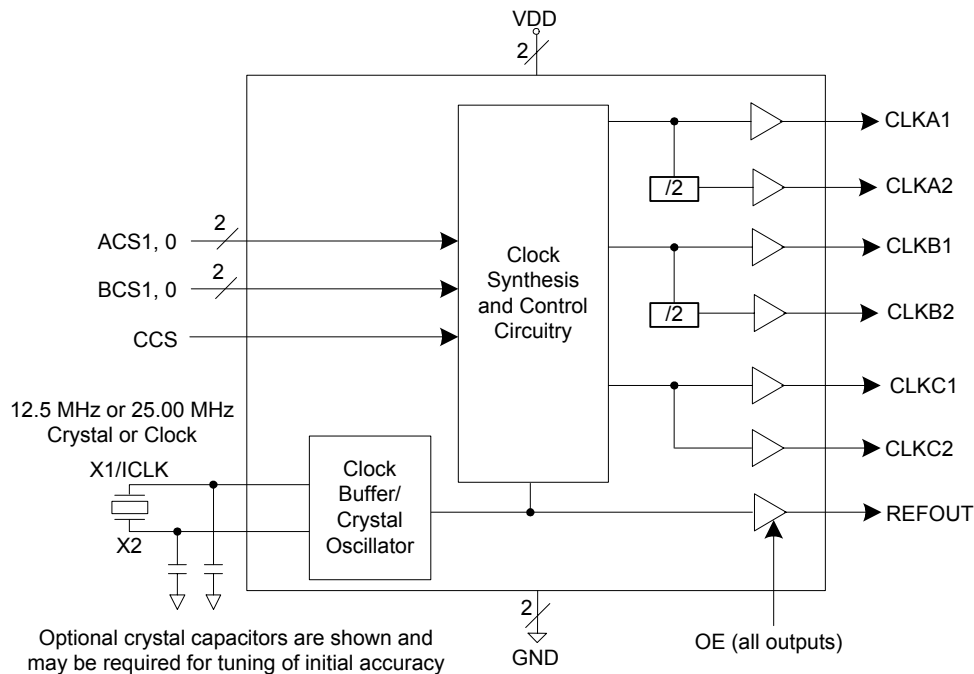
See the MK74CB214, ICS551, and ICS552-01 for non-PLL buffer devices which produce multiple low-skew copies of these output clocks.

See the ICS570, ICS9112-16/17/18 for zero delay buffers that can synchronize outputs and other needed clocks.

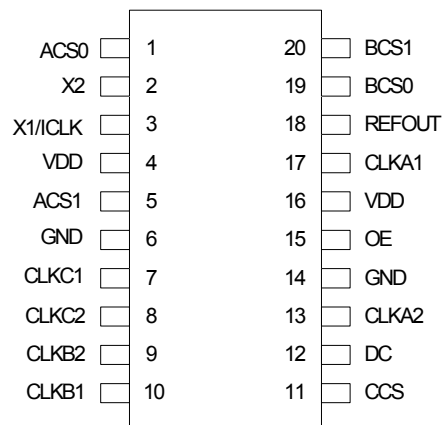
Features

- Packaged in 20-pin tiny SSOP (QSOP)
- Available in Pb (lead) free package
- 12.5 MHz or 25.00 MHz fundamental crystal or clock input
- Six output clocks with selectable frequencies
- SDRAM frequencies of 67, 83, 100, and 133 MHz
- Buffered crystal reference output
- Zero ppm synthesis error in all clocks
- Ideal for PMC-Sierra's ATM switch chips
- Full CMOS output swing with 25 mA output drive capability at TTL levels
- Advanced, low power, sub-micron CMOS process
- 3.0 V to 5.5 V operating voltage

NOTE: EOL for non-green parts to occur on 5/13/10 per PDN U-09-01

Block Diagram


Pin Assignment



20 pin (150 ml) SSOP

Pin Descriptions

Pin	Name	Pin Type	Description
1	ACS0	Tri-level Input	A clock select 0. Selects outputs on CLKA1 and CLKA2. See table below.
2	X2	XO	Crystal connection. Connect to a crystal or leave unconnected for clock input.
3	X1/ICLK	XI	Crystal connection. Connect to fundamental crystal or clock input.
4	VDD	Power	Connect to 3.3 V or 5 V. Must be same value as other VDD.
5	ACS1	Input	A clock select 1. Selects outputs on CLKA1 and CLKA2. Internal pull-up resistor. See table below.
6	GND	Power	Connect to ground.
7	CLKC1	Output	Clock C output 1. Depends on setting of CCS per table below.
8	CLKC2	Output	Clock C output 2. Depends on setting of CCS per table below. Same as CLKC1.
9	CLKB2	Output	Clock B output 2. Depends on setting of BCS1, 0 per table below.
10	CLKB1	Output	Clock B output 1. Depends on setting of BCS1, 0 per table below.
11	CCS	Tri-level Input	Clock C Select pin. Selects outputs on CLKC1 and CLKC2 per table below.
12	DC	—	Don't Connect. Do not connect anything to this pin.
13	CLKA2	Output	Clock A output 2. Depends on setting of ACS1, 0 per table below.
14	GND	Power	Connect to ground.
15	OE	Input	Output enable. Tri-states all outputs when low. Internal pull-up resistor.
16	VDD	Power	Connect to VDD. Must be same value as other VDD.
17	CLKA1	Output	Clock A output 1. Depends on setting of ACS1, 0 per table below.
18	REFOUT	Output	Buffered reference clock output. Same frequency as crystal or clock input.
19	BCS0	Tri-level Input	B clock select 0. Selects outputs on CLKB1 and CLKB2. See table below.
20	BCS1	Input	B clock select 1. Selects outputs on CLKB1 and CLKB2. See table below.

For a 25 MHz Fundamental Crystal or Clock Input, use the following tables:

A Clocks Select Table (MHz)

ACS1	ACS0	CLKA1	CLKA2
0	0	100	OFF (low)
0	M	TEST	TEST
0	1	75	OFF (low)
1	0	33.3333	16.6667
1	M	TEST	TEST
1	1	66.6667	33.3333

B Clocks Select Table (MHz)

BCS1	BCS0	CLKB1	CLKB2
0	0	TEST	TEST
0	M	66.6667	33.3333
0	1	100	50
1	0	83.3333	41.6667
1	M	TEST	TEST
1	1	133.3333	66.6667

C Clocks Select Table (MHz)

CCS	CLKC1	CLKC2
0	125	125
M	TEST	TEST
1	75	75

REFOUT = 25 MHz

0 = connect directly to ground

1 = connect directly to VDD

M = leave unconnected (automatically self biases to VDD/2)

For a 12.5 MHz Crystal or Clock Input, use the following tables:

A Clocks Select Table (MHz)

ACS1	ACS0	CLKA1	CLKA2
0	0	50	OFF (low)
0	M	TEST	TEST
0	1	37.5	OFF (low)
1	0	16.6667	8.3333
1	M	TEST	TEST
1	1	33.3333	16.6667

B Clocks Select Table (MHz)

BCS1	BCS0	CLKB1	CLKB2
0	0	TEST	TEST
0	M	33.3333	16.6667
0	1	50	25
1	0	41.66667	20.8333
1	M	TEST	TEST
1	1	66.6667	33.3333

C Clocks Select Table (MHz)

CCS	CLKC1	CLKC2
0	62.5	62.5
M	TEST	TEST
1	37.5	37.5

REFOUT = 12.5 MHz

0 = connect directly to ground

1 = connect directly to VDD

M = leave unconnected (automatically self biases to VDD/2)

External Components

The ICS650-07C requires a minimum number of external components for proper operation.

Decoupling Capacitor

Decoupling capacitors of 0.01 μ F must be connected between each VDD and GND (pins 4 and 6, pins 16 and 14), as close to the device as possible. For optimum device performance, the decoupling capacitor should be mounted on the component side of the PCB. Avoid the use of vias in the decoupling circuit.

Series Termination Resistor

When the PCB trace between the clock outputs and the loads are over 1 inch, series termination should be used. To series terminate a 50 Ω trace (a commonly used trace

impedance) place a 33 Ω resistor in series with the clock line, as close to the clock output pin as possible. The nominal impedance of the clock output is 20 Ω .

Crystal Information

The crystal used should be a fundamental mode (do not use third overtone), parallel resonant. Crystal capacitors should be connected from pins X1 to ground and X2 to ground to optimize the initial accuracy. The value of these capacitors is given by the following equation:

$$\text{Crystal caps (pF)} = (C_L - 6) \times 2$$

In the equation, C_L is the crystal load capacitance. So, for a crystal with a 16 pF load capacitance, two 20 pF capacitors should be used. If a clock input is used, drive it into X1 and leave X2 unconnected.

Absolute Maximum Ratings

Stresses above the ratings listed below can cause permanent damage to the ICS650-07C. These ratings, which are standard values for IDT commercially rated parts, are stress ratings only. Functional operation of the device at these or any other conditions above those indicated in the operational sections of the specifications is not implied. Exposure to absolute maximum rating conditions for extended periods can affect product reliability. Electrical parameters are guaranteed only over the recommended operating temperature range.

Item	Rating
Supply Voltage, VDD	7 V
All Inputs and Outputs	-0.5 V to VDD+0.5 V
Ambient Operating Temperature (commercial)	0 to +70° C
Ambient Operating Temperature (industrial)	-40 to +85° C
Storage Temperature	-65 to +150° C
Junction Temperature	125° C
Soldering Temperature (20 seconds max)	260° C

Recommended Operation Conditions

Parameter	Min.	Typ.	Max.	Units
Ambient Operating Temperature (commercial)	0		+70	° C
Ambient Operating Temperature (industrial)	-40		+85	° C
Power Supply Voltage (measured with respect to GND)	+3.0	+3.3	+5.5	V

DC Electrical Characteristics

Unless stated otherwise, **VDD = 5 V**

Parameter	Symbol	Conditions	Min.	Typ.	Max.	Units
Operating Voltage	VDD		3.0		5.5	V
Supply Current	IDD	No load		60		mA
Input High Voltage	V _{IH}	X1 pin only, Clock input	VDD/2+1	VDD/2		V
Input Low Voltage	V _{IL}	X1 pin only, Clock input		VDD/2	VDD/2-1	V
Input High Voltage	V _{IH}	All tri-level inputs	VDD-0.5			V
Input Low Voltage	V _{IL}	All tri-level inputs			0.5	V
Input High Voltage	V _{IH}	Other inputs, except tri-level	2			V
Input Low Voltage	V _{IL}	Other inputs, except tri-level			0.8	V
Output High Voltage	V _{OH}	I _{OH} = -25 mA	2.4			V
Output High Voltage	V _{OH}	I _{OH} = -8 mA	VDD-0.4			V
Output Low Voltage	V _{OL}	I _{OL} = 25 mA			0.4	V
Short Circuit Current	I _{OS}	Each output		±100		mA
Internal Pull-up Resistor		ACS1, BCS1, OE		200		kΩ

AC Electrical Characteristics

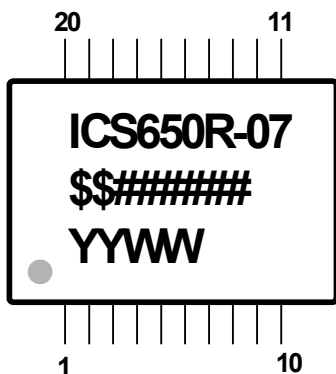
Unless stated otherwise, **VDD = 5 V**

Parameter	Symbol	Conditions	Min.	Typ.	Max.	Units
Input Frequency			10	12.5 or 25	27	MHz
Frequency Error		All clocks			0	ppm
Output Rise Time	t _{OR}	0.8 to 2.0 V			1.5	ns
Output Fall Time	t _{OF}	2.0 to 0.8 V			1.5	ns
Output Clock Duty Cycle		At VDD/2	40	50	60	%
Absolute Jitter, short term		Variation from mean		150		ps

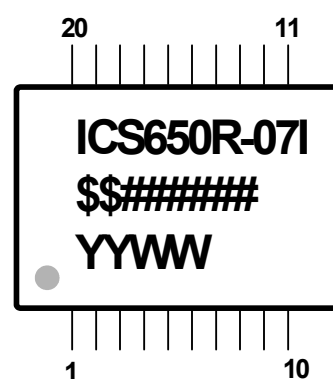
Thermal Characteristics

Parameter	Symbol	Conditions	Min.	Typ.	Max.	Units
Thermal Resistance Junction to Ambient	θ_{JA}	Still air		135		°C/W
	θ_{JA}	1 m/s air flow		93		°C/W
	θ_{JA}	3 m/s air flow		78		°C/W
Thermal Resistance Junction to Case	θ_{JC}			60		°C/W

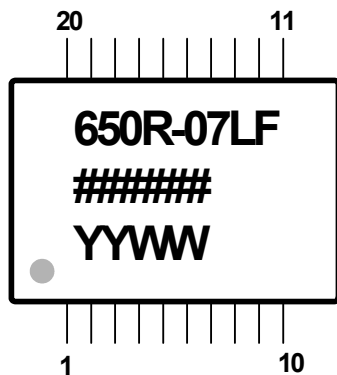
Marking Diagram—ICS650R-07



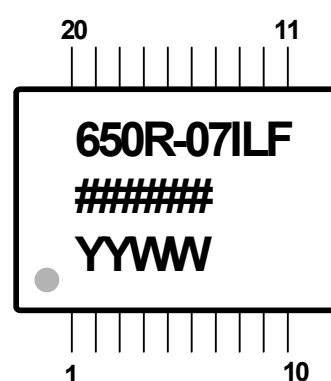
Marking Diagram—ICS650R-07I



Marking Diagram—ICS650R-07LF



Marking Diagram—ICS650R-07ILF

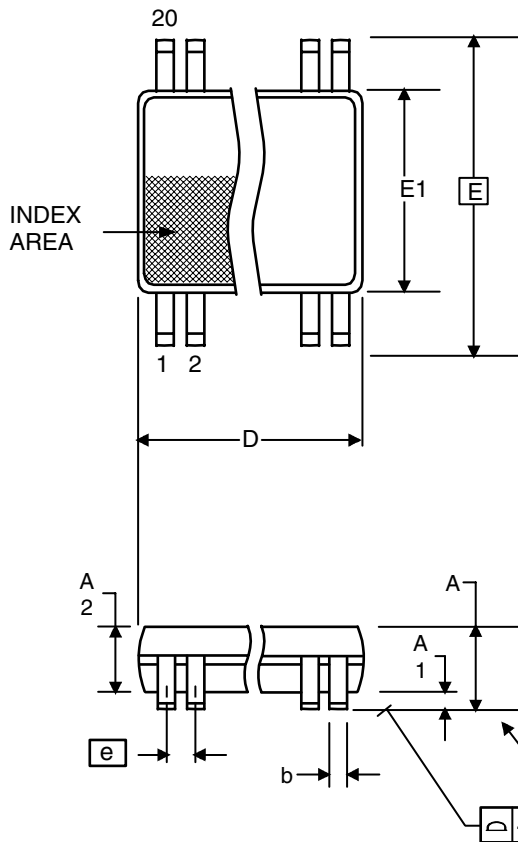


Notes:

- ##### is the lot code.
- YYWW is the last two digits of the year, and the week number that the part was assembled.
- “LF” denotes Pb (lead) free package.
- “I” denotes industrial grade device.
- Bottom marking: (origin) = country of origin if not USA.

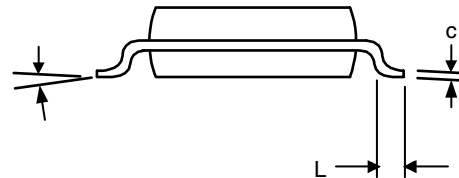
Package Outline and Package Dimensions (20-pin SSOP, 150 Mil. Body)

Package dimensions are kept current with JEDEC Publication No. 95



Symbol	Millimeters		Inches*	
	Min	Max	Min	Max
A	1.35	1.75	0.053	0.069
A1	0.10	0.25	0.004	0.010
A2	--	1.50	--	0.059
b	0.20	0.30	0.008	0.012
c	0.18	0.25	0.007	0.010
D	8.55	8.75	0.337	0.344
E	5.80	6.20	0.228	0.244
E1	3.80	4.00	0.150	0.157
e	.635 Basic		.025 Basic	
L	0.40	1.27	0.016	0.050
α	0°	8°	0°	8°

*For reference only. Controlling dimensions in mm.



Ordering Information

Part / Order Number	Marking	Shipping Packaging	Package	Temperature
650R-07*	see page 7	Tubes	20-pin SSOP	0 to +70° C
650R-07T*		Tape and Reel	20-pin SSOP	0 to +70° C
650R-07LF		Tubes	20-pin SSOP	0 to +70° C
650R-07LFT		Tape and Reel	20-pin SSOP	0 to +70° C
650R-07I*		Tubes	20-pin SSOP	-40 to +85° C
650R-07IT*		Tape and Reel	20-pin SSOP	-40 to +85° C
650R-07ILF		Tubes	20-pin SSOP	-40 to +85° C
650R-07ILFT		Tape and Reel	20-pin SSOP	-40 to +85° C

*NOTE: EOL for non-green parts to occur on 5/13/10 per PDN U-09-01

Parts that are ordered with a "LF" suffix to the part number are the Pb-Free configuration and are RoHS compliant.

While the information presented herein has been checked for both accuracy and reliability, Integrated Device Technology (IDT) assumes no responsibility for either its use or for the infringement of any patents or other rights of third parties, which would result from its use. No other circuits, patents, or licenses are implied. This product is intended for use in normal commercial applications. Any other applications such as those requiring extended temperature range, high reliability, or other extraordinary environmental requirements are not recommended without additional processing by IDT. IDT reserves the right to change any circuitry or specifications without notice. IDT does not authorize or warrant any IDT product for use in life support devices or critical medical instruments.

Innovate with IDT and accelerate your future networks. Contact:

www.IDT.com

For Sales

800-345-7015
408-284-8200
Fax: 408-284-2775

For Tech Support

www.idt.com/go/clockhelp

Corporate Headquarters

Integrated Device Technology, Inc.
www.idt.com



www.IDT.com

Looking for pricing, stock, or lifecycle information?

Click below to explore more details on WIN SOURCE:

-  [View ICS650R-07 on WIN SOURCE](#)
-  [IDT, Integrated Device Technology Inc Information](#)

Optimize Your Supply Chain with WIN SOURCE Solutions

-  Global Sourcing Solution
-  Obsolete Management
-  Cost Control Management
-  Shortage Management
-  Alternative Solution
-  Excess Inventory Management