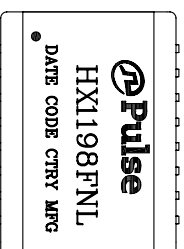




THE DATASHEET OF HX1198FNLT



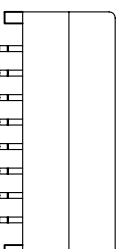
) WITH FLAMMABILITY
) +125°C



ITY AT 245°C REFLOW PROFILE

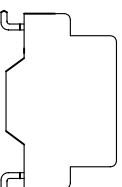
MOISTURE SENSITIVE

MAXIMUM THROUGH REFLOW SOLDER



NG ADD A "T" SUFFIX

FNL BECOMES HX1198FNLT).



FINAL OUTLINE

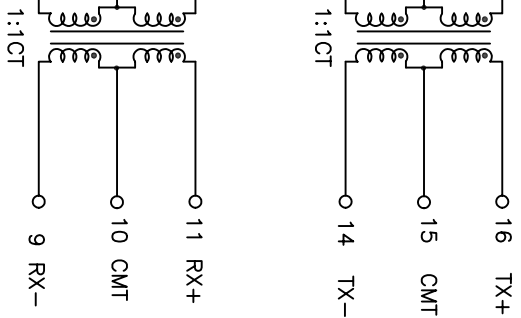
All rights reserved. Pulse confidential & proprietary. (06/12/14)

TLA DRAWING HX1198FNL-13	PS DRAWING PS-2005.002-D	SHEET 1 OF 3	PART NO. HX1198FNL	DATASHEET REV. A
-----------------------------	-----------------------------	-----------------	-----------------------	---------------------

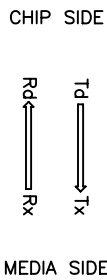
ELECTRICAL CHARACTERISTICS AT +25°C UNLESS OTHER SPECIFIED
MEETS IEEE 802.3 SPECIFICATION

PARAMETER	SPECIFICATIONS	
OPERATING TEMPERATURE	-40°C ~ +85°C	
TURNS RATIO	1 : 1 ± 2%	
POLARITY	PER SCHEMATIC	
INSERTION LOSS	100 KHZ	1-125 MHz
	-1.2 dB MAX	-0.2-0.002*f ^{1.4} DB MAX
RETURN LOSS (Z OUT = 100 OHM±15%)	5MHz	30-80MHz
	-18 DB MIN	-16 + 26LOG (f/30MHz) DB MIN
INDUCTANCE (OCL) (MEDIA SIDE, -40°C ~ +85°C)	350 uH MIN	(MEASURED AT 100 KHz, 100 mVRMS)
	1 MHz	(AND WITH 8 mA DC BIAS)
CROSSTALK (TX-RX)	-62 DB MIN	5-100MHz
	-45 + 21LOG ₁₀ (f/30MHz) DB MIN	5-200MHz
DIFFERENTIAL TO COMMON MODE REJECTION	-50+17LOG ₁₀ (f/5MHz) DB MIN	
	1500 VRMS MIN @ 60 SECONDS	
ISOLATION (INPUT - OUTPUT)		

NOTE: f IS FREQUENCY IN MHZ.



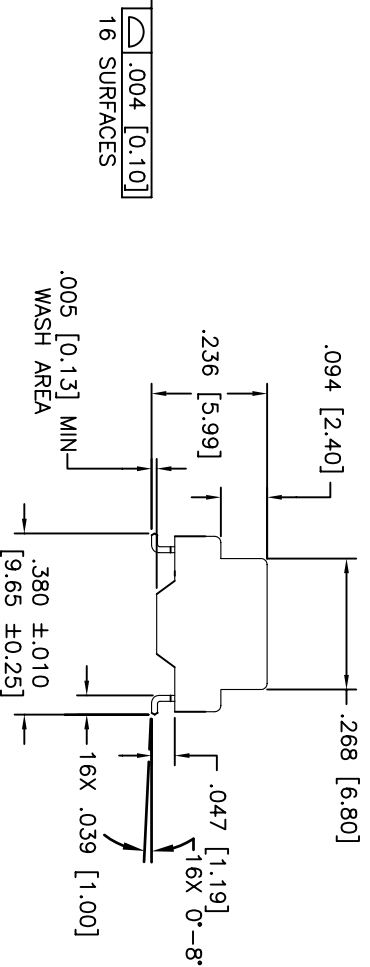
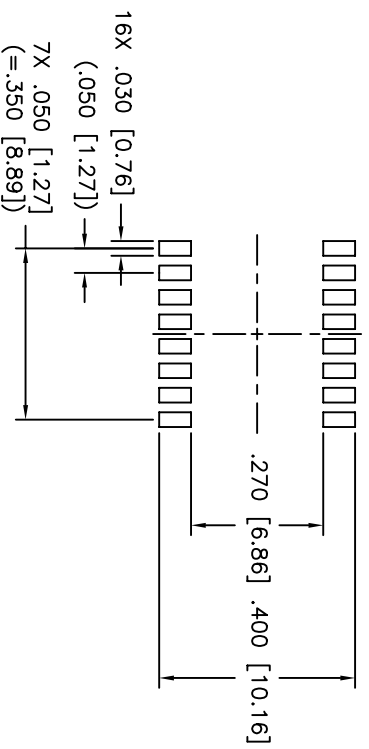
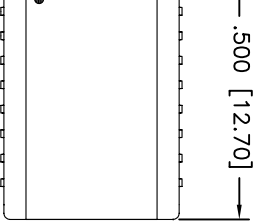
LEGEND



ALL CHANNELS IN
PHASE INPUT TO
OUTPUT

All rights reserved. Pulse confidential & proprietary. (06/12/14)

ITLA DRAWING	PS DRAWING	SHEET	PART NO.	DATASHEET REV.
HX1198FNL-13	PS-2005.002-D	2 OF 3	HX1198FNL	A



WITH THE FOLLOWING
REFERENCE ONLY.


All rights reserved. Pulse confidential & proprietary. (06/12/14)

ITLA DRAWING HX1198FNL-13	PS DRAWING PS-2005.002-D	SHEET 3 OF 3	PART NO. HX1198FNL	DATASHEET REV. A
------------------------------	-----------------------------	-----------------	-----------------------	---------------------

Looking for pricing, stock, or lifecycle information?

Click below to explore more details on WIN SOURCE:

 [View HX1198FNLT on WIN SOURCE](#)

 [Pulse Information](#)

Optimize Your Supply Chain with WIN SOURCE Solutions

-  Global Sourcing Solution
-  Obsolete Management
-  Cost Control Management
-  Shortage Management
-  Alternative Solution
-  Excess Inventory Management