

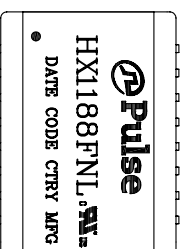


**THE DATASHEET OF  
HX1188FNLT**



) WITH FLAMMABILITY

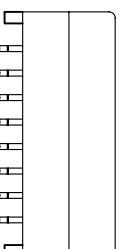
) +125°C



ITY AT 245°C REFLOW PROFILE

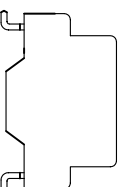
O MOISTURE SENSITIVE

MAXIMUM THROUGH REFLOW SOLDER



NG ADD A "T" SUFFIX

FNL BECOMES HX1188FNLT).



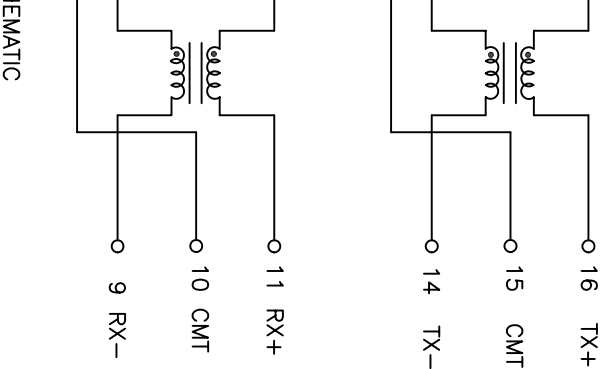
FINAL OUTLINE

All rights reserved. Pulse confidential & proprietary. (05/30/14)

TLA DRAWING HX1188FNL-13	PS DRAWING PS-2005.002-D	SHEET 1 OF 3	PART NO. HX1188FNL	DATASHEET REV. B
-----------------------------	-----------------------------	-----------------	-----------------------	---------------------

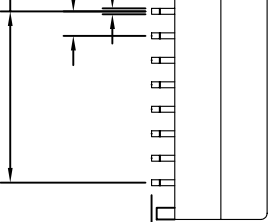
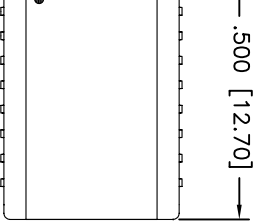
ELECTRICAL CHARACTERISTICS AT +25°C UNLESS OTHER SPECIFIED  
MEETS IEEE 802.3 SPECIFICATION

PARAMETER	SPECIFICATIONS
OPERATING TEMP	-40°C ~ +85°C
TURNS RATIO	1 : 1 ±2%
POLARITY	PER SCHEMATIC
INDUCTANCE (OCL) (MEDIA SIDE, -40°C~+85°C)	350 uH MIN (MEASURED AT 100 KHZ, 100 mVRMS) (AND WITH 8 mA DC BIAS)
INSERTION LOSS	1-100 MHz 125 MHz
	-1.0 DB MAX -3.0 DB MAX
RETURN LOSS Z <sub>out</sub> = 100 OHMS	5 MHz 30-80 MHz
	-18 DB MIN -16 + 20LOG <sub>10</sub> (f/30 MHz) DB MIN
CROSSTALK (TX-RX)	1 MHz 5-100 MHz
	-62 DB MIN -45 + 21LOG <sub>10</sub> (f/30 MHz) DB MIN
DIFFERENTIAL TO COMMON MODE REJECTION	5-200 MHz
	-50 + 17LOG <sub>10</sub> (f/5 MHz) DB MIN
INPUT - OUTPUT ISOLATION	1500 VRMS FOR 60 SECONDS

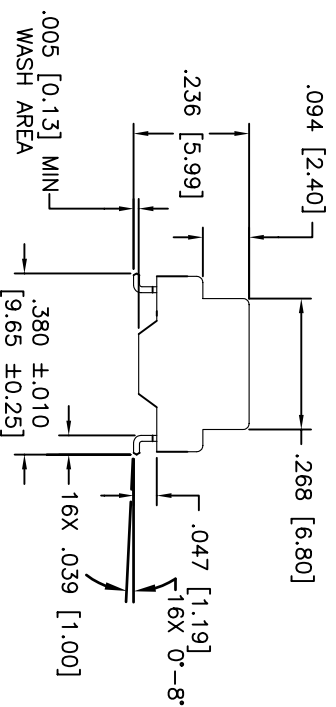
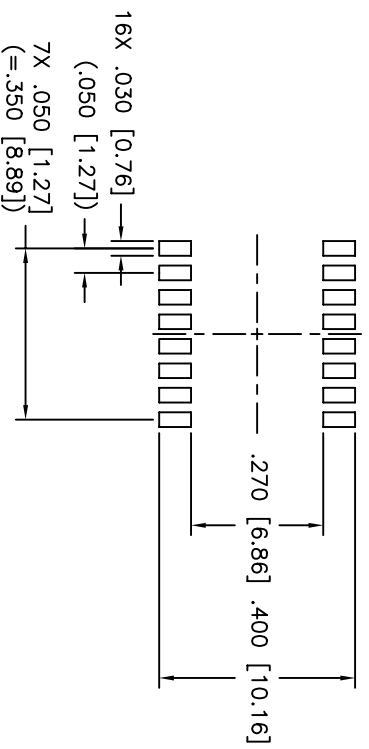


All rights reserved. Pulse confidential & proprietary. (05/30/14)

ITLA DRAWING	PS DRAWING	SHEET	PART NO.	DATASHEET REV.
HX1188FNL-13	PS-2005.002-D	2 OF 3	HX1188FNL	B



16 SURFACES  
[.004 [0.10]]





WITH THE FOLLOWING  
REFERENCE ONLY.

All rights reserved. Pulse confidential & proprietary. (05/30/14)

ITLA DRAWING HX1188FNL-13	PS DRAWING PS-2005.002-D	SHEET 3 OF 3	PART NO. HX1188FNL	DATASHEET REV. B
------------------------------	-----------------------------	-----------------	-----------------------	---------------------

## Looking for pricing, stock, or lifecycle information?

Click below to explore more details on WIN SOURCE:

-  [View HX1188FNLT on WIN SOURCE](#)
-  [Pulse Information](#)

## Optimize Your Supply Chain with WIN SOURCE Solutions

-  Global Sourcing Solution
-  Obsolete Management
-  Cost Control Management
-  Shortage Management
-  Alternative Solution
-  Excess Inventory Management