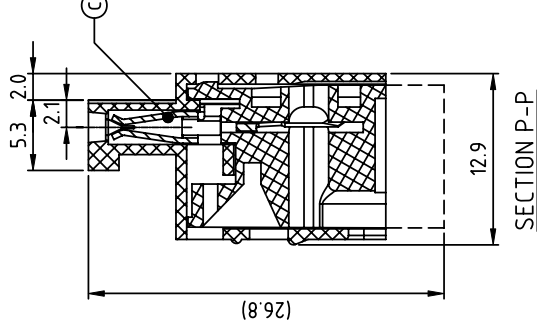
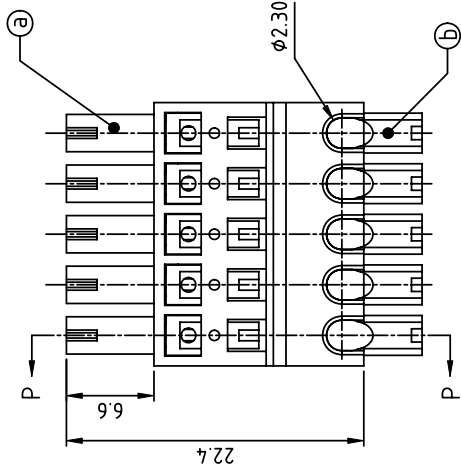
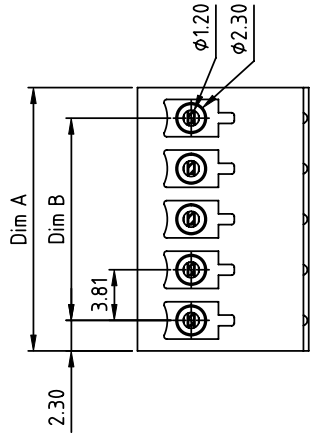




**THE DATASHEET OF
HP24305000J0G**



PRODUCT NUMBER	PITCH
HP:xx30x00J0G	3.81 mm



- Material:**
- Item **A** Insulating
 - Item **B** Insulating
 - Item **C** Female contact
- Electrical:**
- Voltage rating: 30V
 - Current rating: 1A
 - Wire range: 28-30 AWG
 - Solid wire(AWG)
 - Stranded wire(V)
 - Withstanding Voltage
 - Operating temperature
 - Safety Approvals

N=Number of poles

Dim A=(N-1)x3.81+4.6

Dim B=(N-1)x3.81

Poles	Tolerance
2P-6P	±0.15
7P-12P	±0.20
13P-18P	±0.25
19P-24P	±0.30



PART NO.: HP xx 30 x 0 00J0 G

- | | | | | |
|--------------|-----|-----------------|-------|-------------------|
| Solid block | 0 | Black (RAL9005) | Color | RoHS compliant |
| No. of poles | 2 | Red (RAL3001/D) | | (lead<4%) |
| 02 | 2 | poles | 3 | Orange(RAL2011/P) |
| 03 | 3 | poles | 4 | Yellow(RAL1018/A) |
| ... | ... | ... | 5 | Green(RAL6018/T) |
| 24 | 24 | poles | 6 | Blue (RAL5015/A) |
| | | | 8 | Grey(RAL7035/D) |
| | | | 9 | White(RAL1102) |
| | | | C | Green(RAL6018/U) |

mat'l. code		t.		surface	
itr	ecn no	dr	date	ASME	Y14.5
				tolerances unless otherwise specified	
				angles	°
				X	±1'
				X	±1'
				dr	EVIN ZHON
				engr	EVIN ZHON
				chr	HANKE FEI
				appd	SHI JUN
sheet	revision	A			
index	sheet	1			

Looking for pricing, stock, or lifecycle information?

Click below to explore more details on WIN SOURCE:

-  [View HP24305000J0G on WIN SOURCE](#)
-  [Amphenol FCI Information](#)

Optimize Your Supply Chain with WIN SOURCE Solutions

-  Global Sourcing Solution
-  Obsolete Management
-  Cost Control Management
-  Shortage Management
-  Alternative Solution
-  Excess Inventory Management