



**THE DATASHEET OF  
245602620000829H+**



# Fine Pitch SMT Board to Board Connectors

## Series 5602



Series 5602 is a two-piece 0.4mm pitch, PCB stacking connector. Offered at a 1.5mm stack height, Series 5602 is ideal for high density packaging applications.

Market applications include mobile PC's, PDA's, DVD, Cell Phones and Digital Cameras.

### FEATURES

0.4mm fine pitch and low profile connector, with stacking height of 1.5mm. These features result in the highest density stacking connector in the industry.

The connector design provides for an audible click, which confirms that the contacts are properly mated.

Offered with, and without, metal strain relief and boss.

Designed to prevent solder wicking.

Enclosed SMT contacts, provide for high density routing, by allowing traces to be located under the connector.

Ideal for FPC to PCB connections.

Compatible with high temperature, lead free, soldering processes.

Packaging consists of 2,000 connectors per reel.

### SPECIFICATIONS

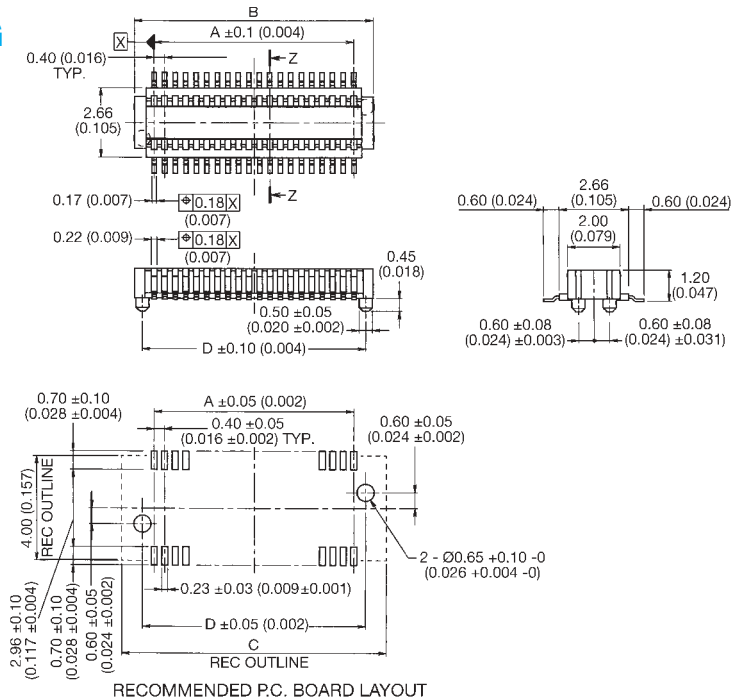
Series	5602
Mated Height	1.5mm
Pitch	0.4mm
Current	0.4A Max
Voltage	50V Max
D.W. Voltage	250V Max/min.
Mating Cycles	30

# Fine Pitch SMT Board to Board Connectors



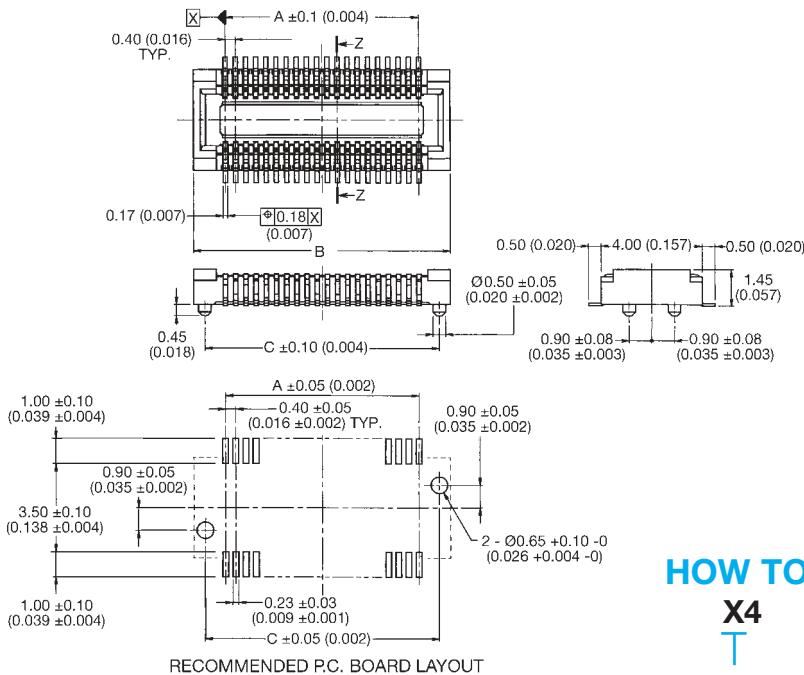
## Series 5602 – 1.5mm Mated Height, without Strain Relief

### PLUG



No. of Pos.	Dimension			
	A	B	C	D
020	3.6 (0.142)	5.1 (0.201)	6.1 (0.205)	4.5 (0.177)
024	4.4 (0.173)	5.9 (0.232)	6.9 (0.272)	5.3 (0.209)
030	5.6 (0.220)	7.1 (0.280)	8.1 (0.319)	6.5 (0.256)
034	6.4 (0.252)	7.9 (0.311)	8.9 (0.350)	7.3 (0.287)
040	7.6 (0.300)	9.1 (0.358)	10.1 (0.397)	8.5 (0.335)
050	9.6 (0.378)	11.1 (0.437)	12.1 (0.478)	10.5 (0.413)
060	11.6 (0.457)	13.1 (0.516)	14.1 (0.555)	12.5 (0.492)
070	13.6 (0.535)	15.1 (0.594)	16.1 (0.634)	14.5 (0.571)
080	15.6 (0.614)	17.1 (0.673)	18.1 (0.713)	16.5 (0.650)

### RECEPTACLE



No. of Pos.	Dimension		
	A	B	C
020	3.6 (0.142)	6.1 (0.240)	5.2 (0.20)
024	4.4 (0.173)	6.9 (0.272)	6.0 (0.236)
030	5.6 (0.220)	8.1 (0.319)	7.2 (0.283)
034	6.6 (0.260)	8.9 (0.350)	8.0 (0.315)
040	7.6 (0.300)	10.1 (0.397)	9.2 (0.360)
050	9.6 (0.378)	12.1 (0.476)	11.2 (0.441)
060	11.6 (0.457)	14.1 (0.555)	13.2 (0.520)
070	13.6 (0.535)	16.1 (0.634)	15.2 (0.598)
080	15.6 (0.614)	18.1 (0.713)	17.2 (0.677)

### HOW TO ORDER

**X4**

Prefix

14 = Plug  
24 = Receptacle

**5602**

Series Number

**XXX**

Number of Positions

**00X**

Variation Code

0 = Without Strain Relief and without Boss  
1 = Without Strain Relief and with Boss

**829**

Finish Code

020  
024  
030  
034  
040  
050  
060  
070  
080

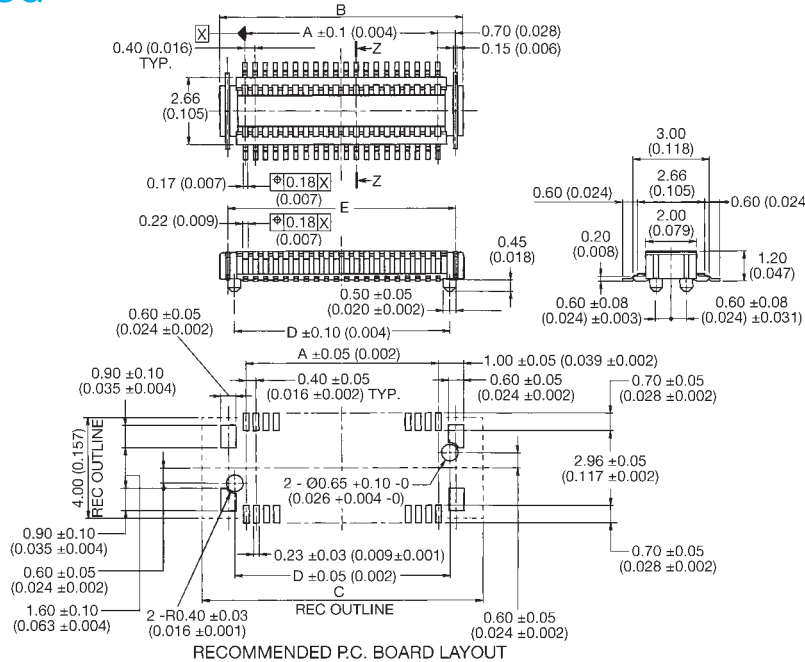
Parts are supplied in tape and reel packaging with 2000 pieces per reel.

# Fine Pitch SMT Board to Board Connectors

## Series 5602 – 1.5mm Mated Height, with Strain Relief

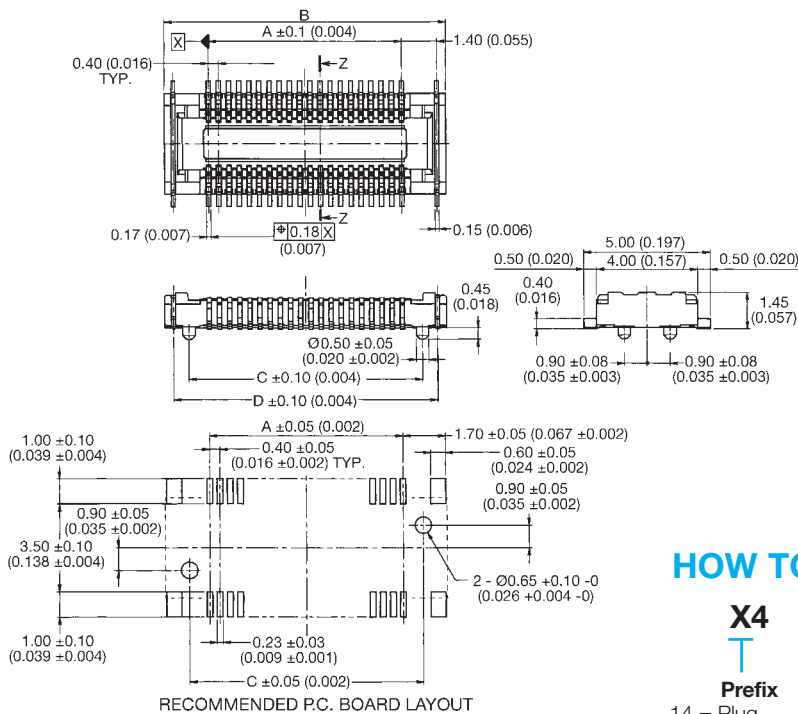


### PLUG



No. of Pos.	Dimension				
	A	B	C	D	E
020	3.6 (0.142)	5.6 (0.220)	7.1 (0.280)	4.5 (0.177)	5.0 (0.197)
024	4.4 (0.173)	6.4 (0.252)	7.9 (0.3112)	5.3 (0.209)	5.8 (0.228)
030	5.6 (0.220)	7.6 (0.299)	9.1 (0.358)	6.5 (0.256)	7.0 (0.276)
034	6.4 (0.252)	8.4 (0.331)	9.9 (0.390)	7.3 (0.287)	7.8 (0.307)
040	7.6 (0.705)	9.6 (0.378)	11.1 (0.437)	8.5 (0.335)	9.0 (0.354)
050	9.6 (0.378)	11.6 (0.457)	13.1 (0.516)	10.5 (0.413)	11.0 (0.433)
060	11.6 (0.457)	13.6 (0.535)	15.1 (0.594)	12.5 (0.492)	13.0 (0.512)
070	13.6 (0.535)	15.6 (0.614)	17.1 (0.673)	14.5 (0.571)	15.0 (0.591)
080	15.6 (0.614)	17.6 (0.693)	19.1 (0.752)	16.5 (0.650)	17.0 (0.669)

### RECEPTACLE



No. of Pos.	Dimension			
	A	B	C	D
020	3.6 (0.142)	7.1 (0.280)	5.2 (0.205)	6.4 (0.252)
024	4.4 (0.173)	7.9 (0.311)	6.0 (0.236)	7.2 (0.283)
030	5.6 (0.220)	9.1 (0.358)	7.2 (0.283)	8.4 (0.331)
034	6.4 (0.252)	9.9 (0.390)	8.0 (0.315)	9.2 (0.362)
040	7.6 (0.705)	11.1 (0.437)	9.2 (0.362)	10.4 (0.409)
050	9.6 (0.378)	13.1 (0.476)	11.2 (0.441)	12.4 (0.488)
060	11.6 (0.457)	15.1 (0.594)	13.2 (0.520)	14.4 (0.567)
070	13.6 (0.535)	17.1 (0.673)	15.2 (0.598)	16.4 (0.646)
080	15.6 (0.614)	19.1 (0.752)	17.2 (0.677)	18.4 (0.724)

### HOW TO ORDER

<b>X4</b>	<b>5602</b>	<b>XXX</b>	<b>00X</b>	<b>829</b>
Prefix	Series Number	Number of Positions	Variation Code	Finish Code
14 = Plug 24 = Receptacle		020 024 030 034 040 050 060 070 080	2 = With Strain Relief and without Boss 3 = With Strain Relief and with Boss	

Parts are supplied in tape and reel packaging with 2000 pieces per reel.

# Fine Pitch SMT Board to Board Connectors

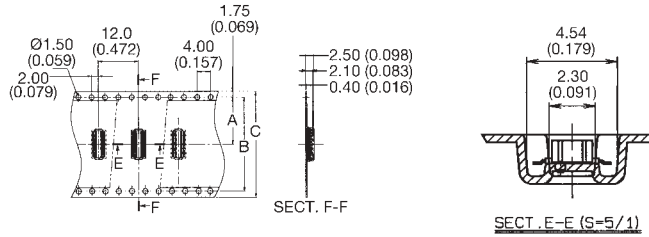


## Series 5602

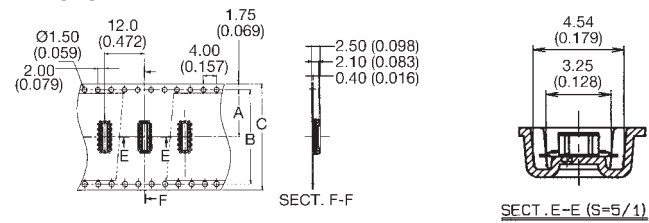
### Tape and Reel Package for Mated Height 1.5mm

#### PLUG

##### Without Strain Relief



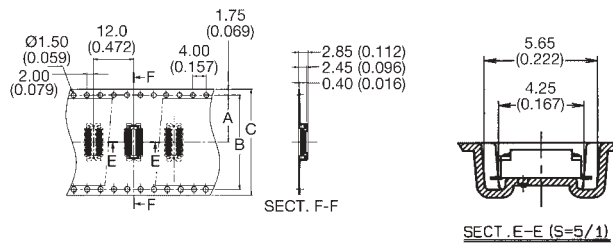
##### With Strain Relief



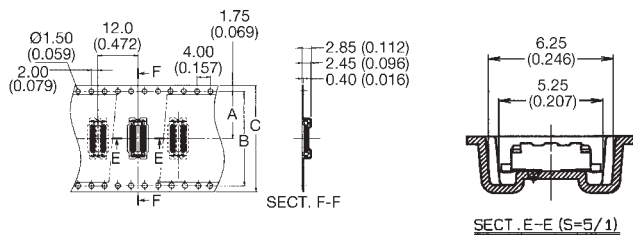
No. of Pos.	Dimension			
	A	B	C	D
020	11.5 (0.453)	-	24 (0.945)	30.4 (1.197)
024	11.5 (0.453)	-	24 (0.945)	30.4 (1.197)
030	11.5 (0.453)	-	24 (0.945)	30.4 (1.197)
034	11.5 (0.453)	-	24 (0.945)	30.42 (1.197)
040	11.5 (0.453)	-	24 (0.945)	30.4 (1.197)
050	14.2 (0.559)	28.4 (0.921)	32 (1.260)	38.4 (1.512)
060	14.2 (0.559)	28.4 (0.921)	32 (1.260)	38.4 (1.512)
070	14.2 (0.559)	28.4 (0.921)	32 (1.260)	38.4 (1.512)
080	14.2 (0.559)	28.4 (0.921)	32 (1.260)	38.4 (1.512)

#### RECEPTACLE

##### Without Strain Relief



##### With Strain Relief



No. of Pos.	Dimension			
	A	B	C	D
020	11.5 (0.453)	-	24 (0.945)	30.4 (1.197)
024	11.5 (0.453)	-	24 (0.945)	30.4 (1.197)
030	11.5 (0.453)	-	24 (0.945)	30.4 (1.197)
034	11.5 (0.453)	-	24 (0.945)	30.42 (1.197)
040	11.5 (0.453)	-	24 (0.945)	30.4 (1.197)
050	14.2 (0.559)	28.4 (0.921)	32 (1.260)	38.4 (1.512)
060	14.2 (0.559)	28.4 (0.921)	32 (1.260)	38.4 (1.512)
070	14.2 (0.559)	28.4 (0.921)	32 (1.260)	38.4 (1.512)
080	14.2 (0.559)	28.4 (0.921)	32 (1.260)	38.4 (1.512)

#### HOW TO ORDER

**X4**

**Prefix**

14 = Plug  
24 = Receptacle

**5602**

**Series Number**

**XXX**

**Number of Positions**

020  
024  
030  
034  
040  
050  
060  
070  
080

**00X**

**Variation Code**

0 = Without Strain Relief and without Boss  
1 = Without Strain Relief and with Boss  
2 = With Strain Relief and without Boss  
3 = With Strain Relief and with Boss

**829**

**Finish Code**

Specification of the catalog might be changed without notice.

Please verify our drawing and specification with your design.

Parts are supplied in tape and reel packaging with 2000 pieces per reel.

## Looking for pricing, stock, or lifecycle information?

Click below to explore more details on WIN SOURCE:

- ⊖ [View 245602620000829H+](#) on WIN SOURCE
- ⊖ [AVX Corp/Kyocera Corp](#) Information

## Optimize Your Supply Chain with WIN SOURCE Solutions

- ✓ Global Sourcing Solution
- ✓ Obsolete Management
- ✓ Cost Control Management
- ✓ Shortage Management
- ✓ Alternative Solution
- ✓ Excess Inventory Management