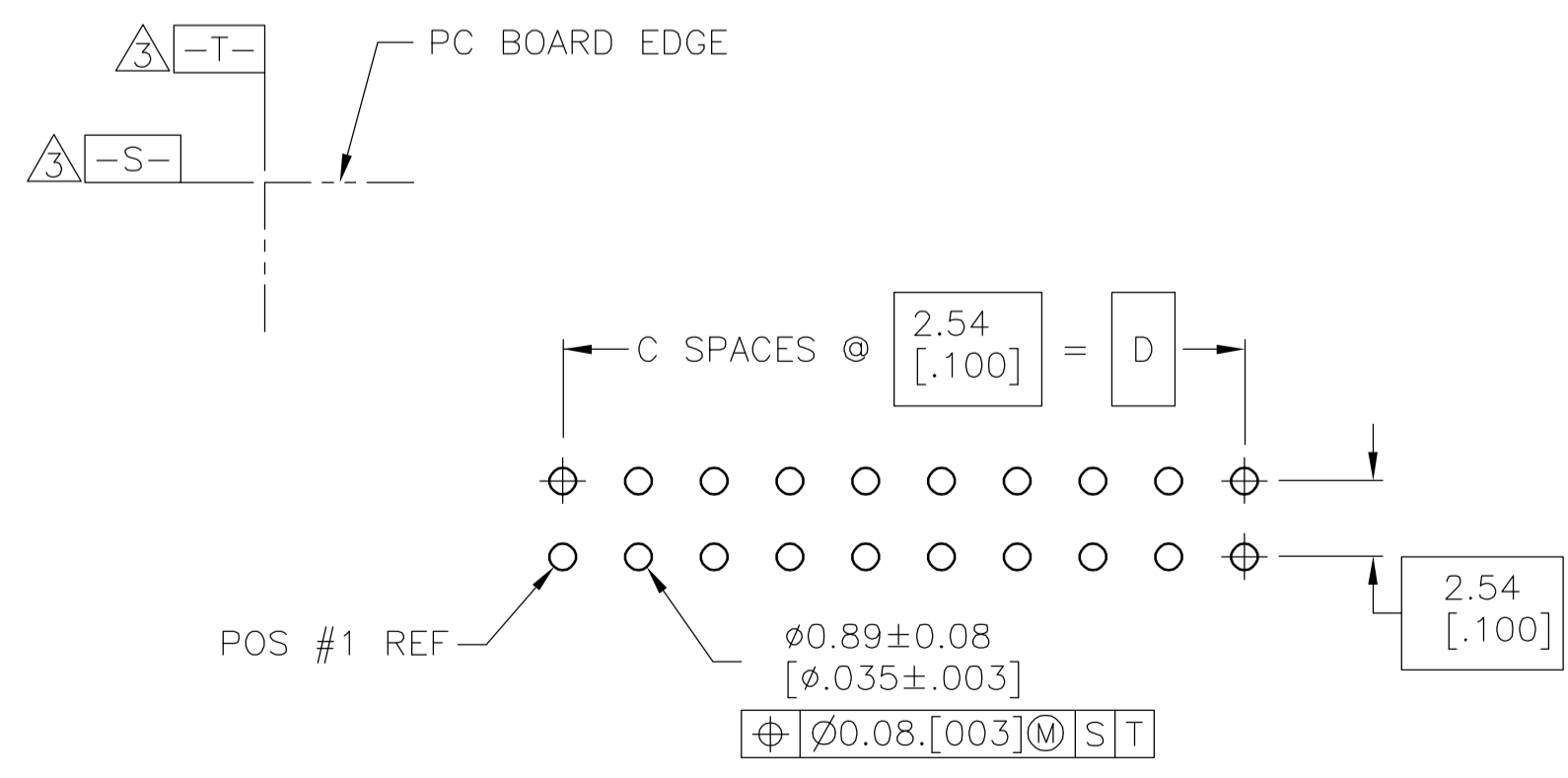
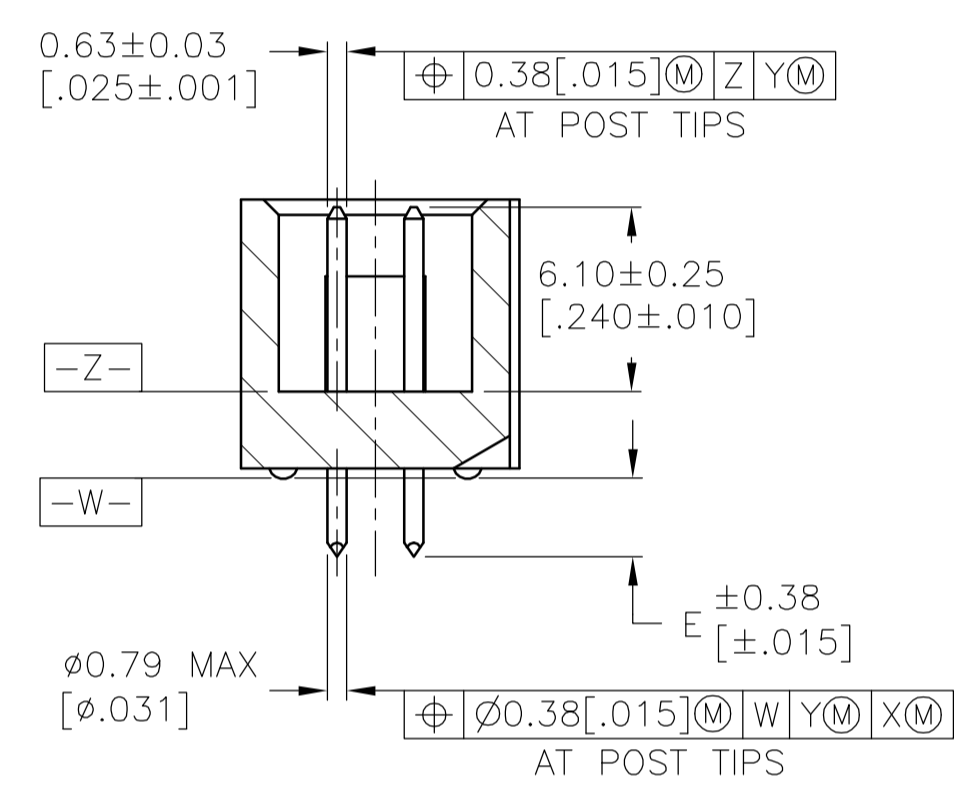
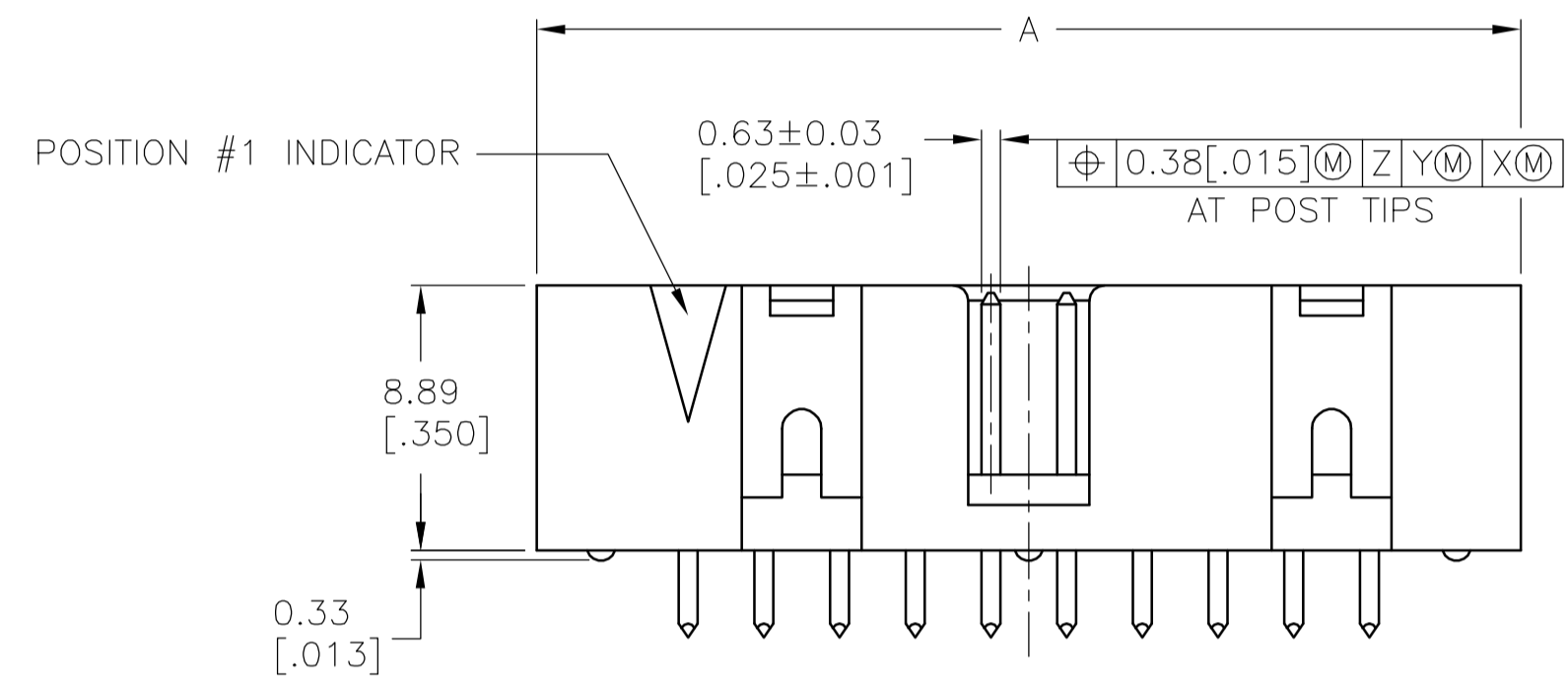
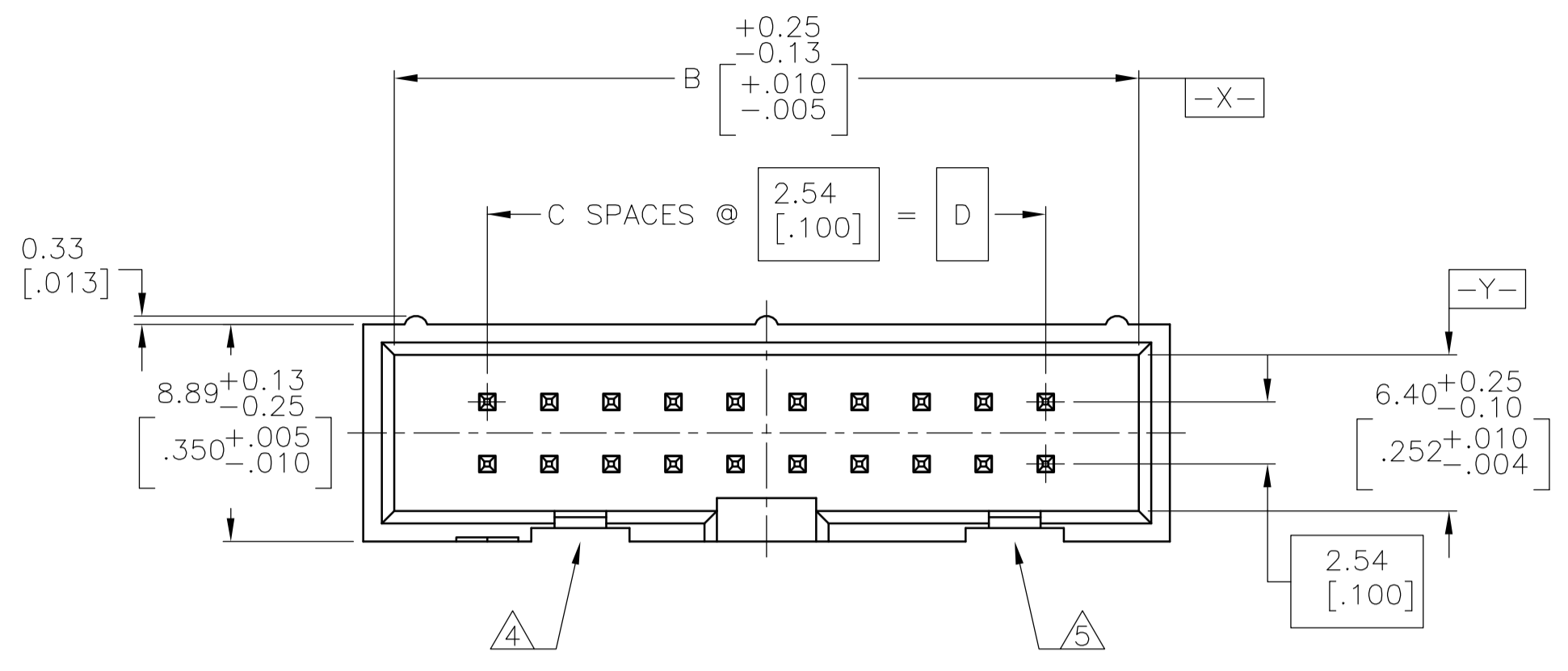




THE DATASHEET OF
2-1437044-7





RECOMMENDED PC BOARD LAYOUT
(VIEWED FROM CONNECTOR SIDE)

- △ HOUSING: PBT, UL94V-0, COLOR BLUE.
- △ POSTS: PHOSPHOR BRONZE.
- △ POSTS: 0.00076[.000030] MIN GOLD ON MATING AREA, 0.00254[.000100] MIN TIN-LEAD ON SOLDER END, ALL OVER 0.00127[.000050] MIN NICKEL ON ENTIRE POST.
- △ DATUMS S & T TO BE ESTABLISHED BY CUSTOMER.
- △ NO KEYING SLOT ON THIS END FOR 6, 8, 10, 12 & 14 POSITION ASSEMBLIES.
- △ NO KEYING SLOT ON THIS END FOR 6, 8 & 10 POSITION ASSEMBLIES.

	E	D	C	B	A	NO OF POS	PART NUMBER
	4.19 [0.165]	78.74 [3.100]	31	86.36 [3.400]	88.90 [3.500]	64	4-1437046-7
	2.59 [0.102]	78.74 [3.100]	31	86.36 [3.400]	88.90 [3.500]	64	4-1437046-6
	4.19 [0.165]	73.66 [2.900]	29	81.28 [3.200]	83.82 [3.300]	60	6-1437051-7
OBSOLETE	2.59 [0.102]	73.66 [2.900]	29	81.28 [3.200]	83.82 [3.300]	60	3-1437046-4
OBSOLETE	4.19 [0.165]	60.96 [2.400]	24	68.58 [2.700]	71.12 [2.800]	50	2-1437046-1
	2.59 [0.102]	60.96 [2.400]	24	68.58 [2.700]	71.12 [2.800]	50	1-1437046-5
	2.59 [0.102]	53.34 [2.100]	21	60.96 [2.400]	63.50 [2.500]	44	1437046-2
OBSOLETE	4.19 [0.165]	48.26 [1.900]	19	55.88 [2.200]	58.42 [2.300]	40	9-1437045-2
	2.59 [0.102]	48.26 [1.900]	19	55.88 [2.200]	58.42 [2.300]	40	8-1437045-3
OBSOLETE	4.19 [0.165]	43.18 [1.700]	17	50.80 [2.000]	53.34 [2.100]	36	6-1437045-9
	2.59 [0.102]	43.18 [1.700]	17	50.80 [2.000]	53.34 [2.100]	36	6-1437045-7
	4.19 [0.165]	40.64 [1.600]	16	48.26 [1.900]	50.80 [2.000]	34	5-1437045-9
	2.59 [0.102]	40.64 [1.600]	16	48.26 [1.900]	50.80 [2.000]	34	5-1437045-4
	2.59 [0.102]	35.56 [1.400]	14	43.18 [1.700]	45.72 [1.800]	30	4-1437045-2
	4.19 [0.165]	30.48 [1.200]	12	38.10 [1.500]	40.64 [1.600]	26	3-1437045-6
	2.59 [0.102]	30.48 [1.200]	12	38.10 [1.500]	40.64 [1.600]	26	3-1437045-2
OBSOLETE	4.19 [0.165]	27.94 [1.100]	11	35.56 [1.400]	38.10 [1.500]	24	2-1437045-1
	2.59 [0.102]	27.94 [1.100]	11	35.56 [1.400]	38.10 [1.500]	24	1-1437045-9
	4.19 [0.165]	22.86 [0.900]	9	30.48 [1.200]	33.02 [1.300]	20	1437045-9
	2.59 [0.102]	22.86 [0.900]	9	30.48 [1.200]	33.02 [1.300]	20	1437045-2
	4.19 [0.165]	17.78 [0.700]	7	25.40 [1.000]	27.94 [1.100]	16	8-1437044-7
	2.59 [0.102]	17.78 [0.700]	7	25.40 [1.000]	27.94 [1.100]	16	8-1437044-0
	4.19 [0.165]	15.24 [0.600]	6	22.86 [0.900]	25.40 [1.000]	14	6-1437044-6
	2.59 [0.102]	15.24 [0.600]	6	22.86 [0.900]	25.40 [1.000]	14	5-1437044-9
	2.59 [0.102]	12.70 [0.500]	5	20.32 [0.800]	22.86 [0.900]	12	5-1437044-2
	4.19 [0.165]	10.16 [0.400]	4	17.78 [0.700]	20.32 [0.800]	10	4-1437044-6
	2.59 [0.102]	10.16 [0.400]	4	17.78 [0.700]	20.32 [0.800]	10	4-1437044-3
OBSOLETE	2.59 [0.102]	7.62 [0.300]	3	15.24 [0.600]	17.78 [0.700]	8	3-1437044-4
	4.19 [0.165]	5.08 [0.200]	2	12.70 [0.500]	15.24 [0.600]	6	3-1437044-0
	2.59 [0.102]	5.08 [0.200]	2	12.70 [0.500]	15.24 [0.600]	6	2-1437044-7

**COPYRIGHT 2005
 TYCO ELECTRONICS CORP
 ALL RIGHTS RESERVED**

THIS DRAWING IS A CONTROLLED DOCUMENT. DIMENSIONS: MM [INCHES]. TOLERANCES UNLESS OTHERWISE SPECIFIED: 0.1 PL ± 0.13 [0.005], 2.0 PL ± 0.13 [0.005], 3.0 PL ± 0.13 [0.005], 4.0 PL ± 0.13 [0.005], ANGLES ± 0.13 [0.005]. MATERIAL: PBT. FINISH: PHOSPHOR BRONZE. WEIGHT: -. CUSTOMER DRAWING. DATE: 21 MAR 06. SHEET: 1 OF 1. REV: B.

tyco Electronics Tyco Electronics Corporation Harrisburg, Pa 17105

OBSOLETE
 NOT THE LATEST REVISION

HEADER ASSEMBLY, VERTICAL, LOW PROFILE, IDC

SIZE: A1 00779 ©=2-1437044-7

Looking for pricing, stock, or lifecycle information?

Click below to explore more details on WIN SOURCE:

 [View 2-1437044-7 on WIN SOURCE](#)

 [TE Connectivity](#) Information

Optimize Your Supply Chain with WIN SOURCE Solutions

-  Global Sourcing Solution
-  Obsolete Management
-  Cost Control Management
-  Shortage Management
-  Alternative Solution
-  Excess Inventory Management