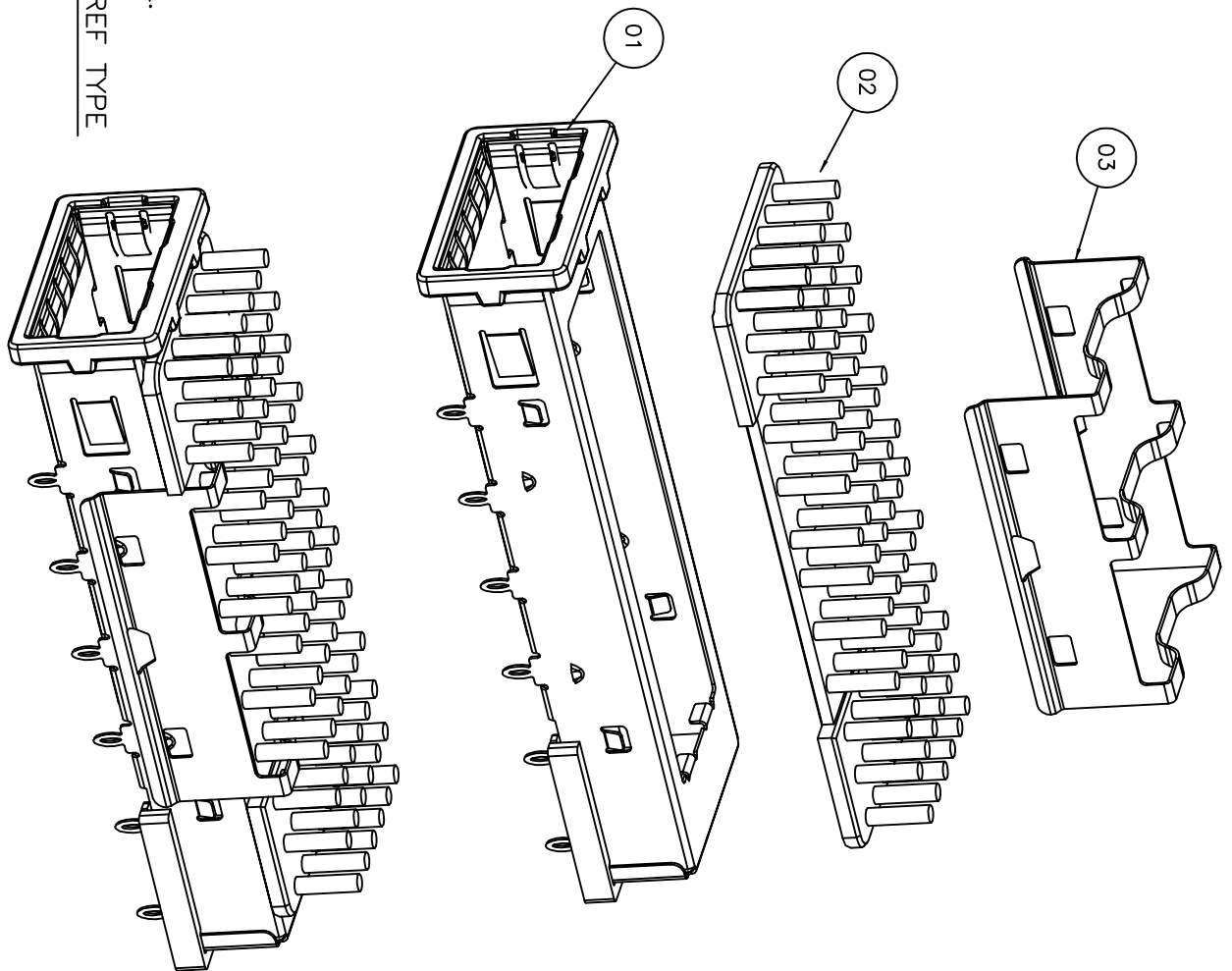
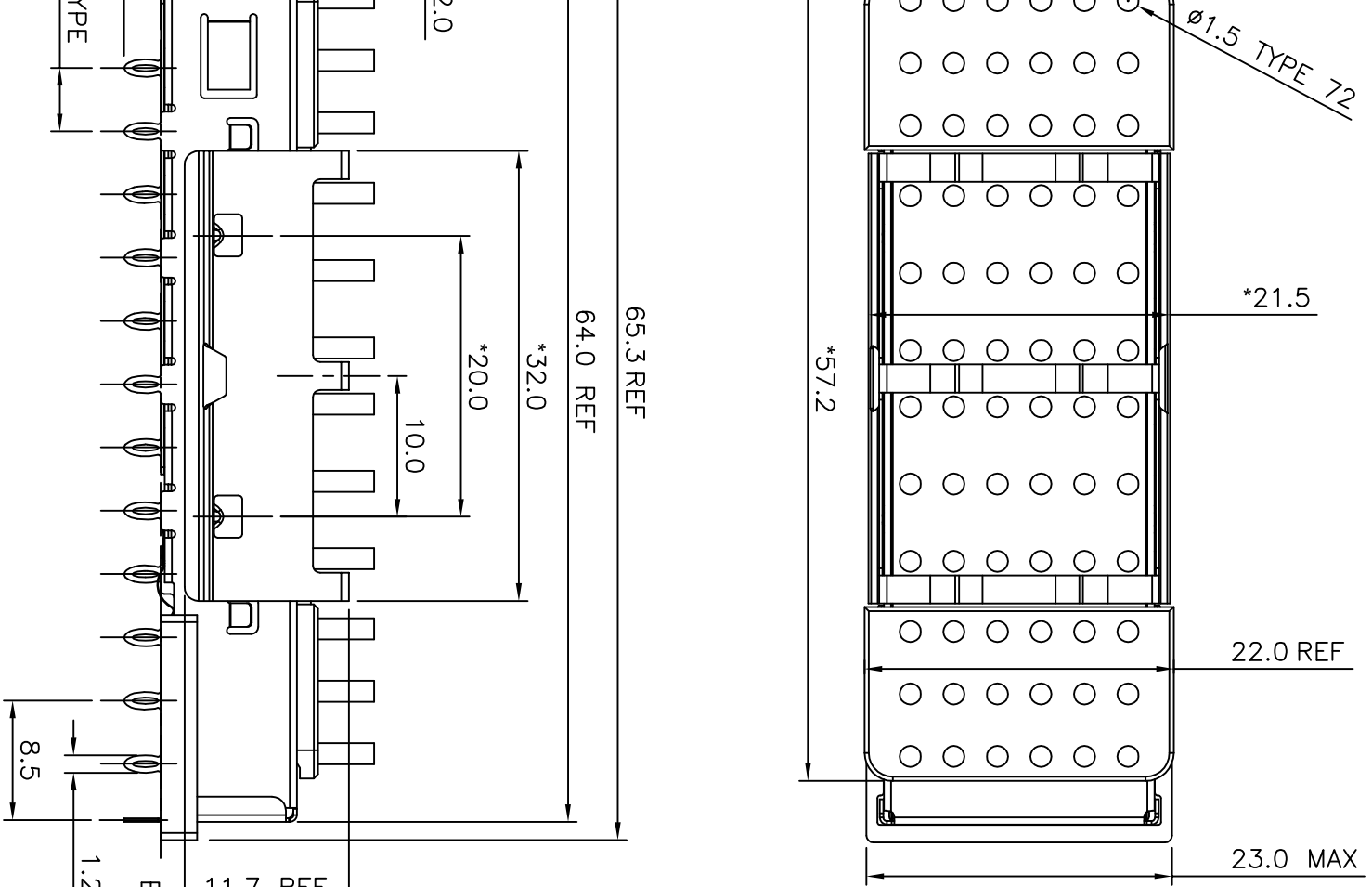




THE DATASHEET OF XFP002-L



REVISION RECORD			
REV	ECO	DESCRIPTION	CHKD



DETACHED LISTS		TOLERANCES EXCEPT AS NOTED	
MM	(INCH)	MM	(INCH)
0 ± 0.2	±	0.00 ± 0.15	±
0.00 ± 0.075	±	ANGLES ± 0.5	±

DFTO	tzu	DATE	06/02/06
CHKD		DATE	
MFO		DATE	
APPVL		DATE	

MATERIAL :	QT'Y :
FINISH :	
SCALE :	1 : 2

FULL RISE ELECTRONIC CO., LTD	
(Non-Logo)	
TITLE	
XFP CAGE WITH PCI HEAT SINK KIT	
DRAWING NO. XFP002-L	SIZE
/PART NO. SEE NOTE	A3
DO NOT SCALE DRAWING	REV
	0

MATERIAL	PLATING	REMARK
AL	NI	
SUS		

A

B

C

D

E

F

G

H

6

5

4

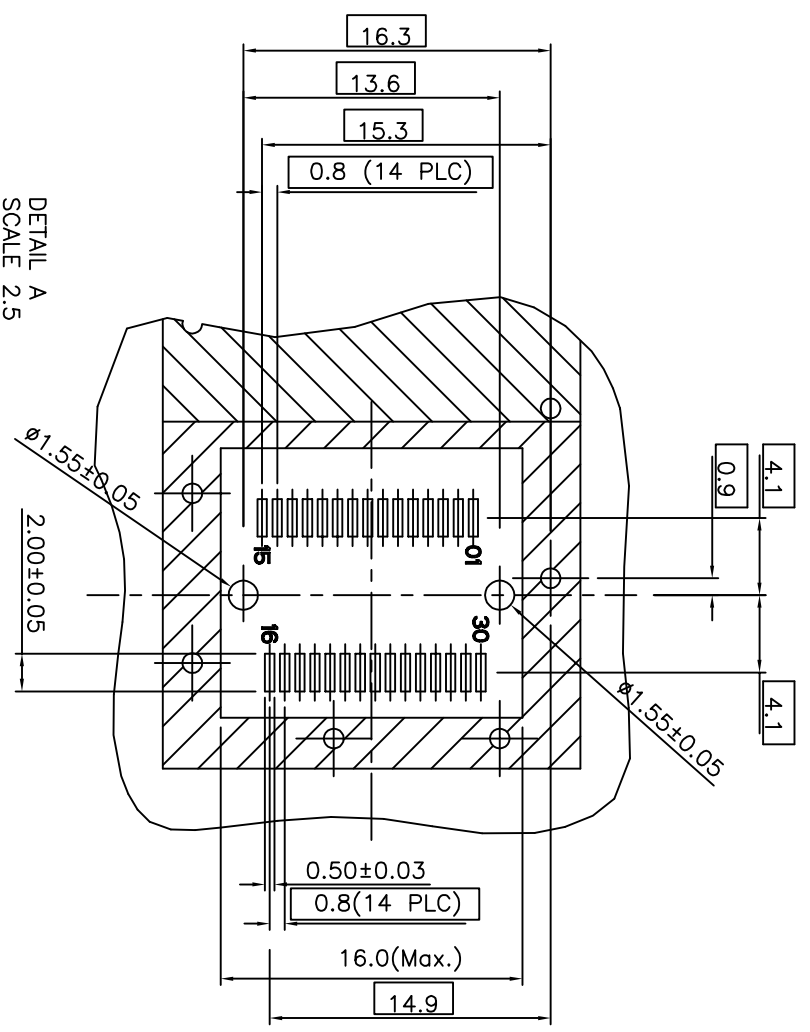
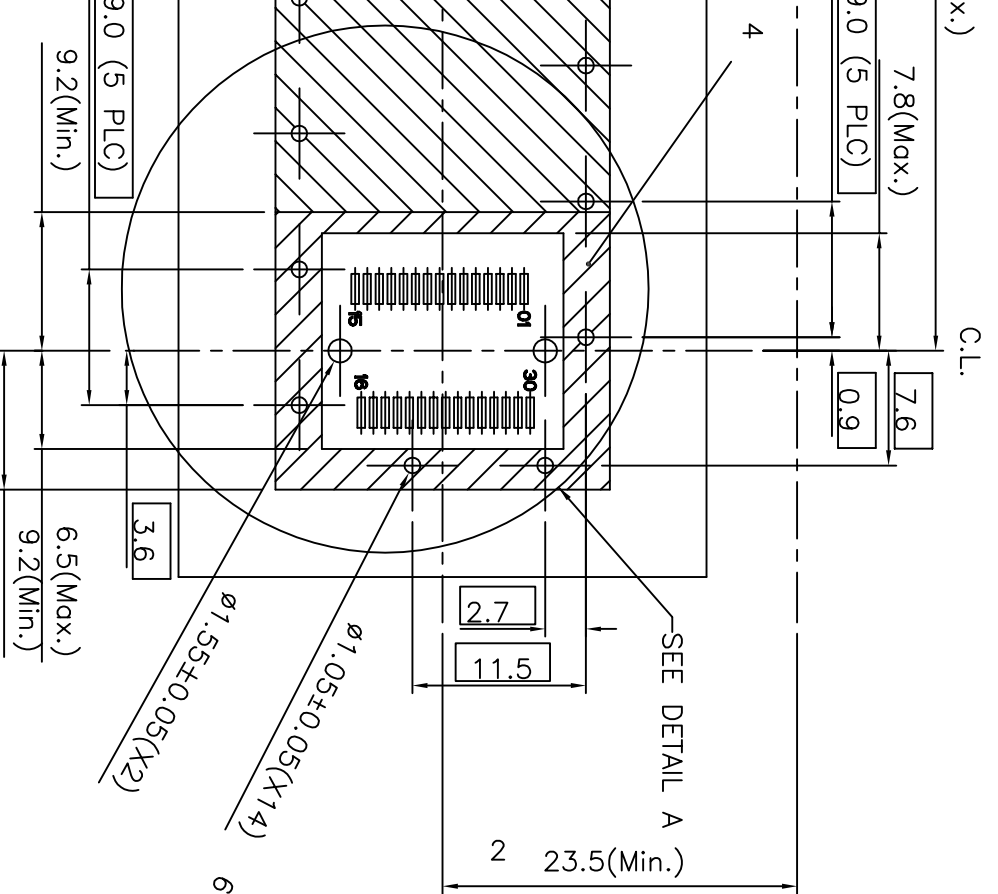
3

2

1

2

REVISION RECORD				
REV	ECO	DESCRIPTION	DRFT	CHKD



P.C.B. LAYOUT

5 CROSS-HATCHED AREA DENOTES COMPONENT AND TRACE KEEP-OUT (EXCEPT CHASSIS GROUND)

6 RECOMMENDATION FOR P.C.BOARD HOLES:
 A. HOLE ϕ AFTER DRILLING : 1.15 \pm 0.02 mm.
 B. HOLE ϕ Sn PLATE : 1.05 \pm 0.05 mm.
 C. 25um ~ 50um COPPER UNDERPLATE.

7 -CAUTION- REFLOW PROCESS WILL DAMAGE CAGE ASSEMBLY.

DETACHED LISTS

MM	(INCH)	MM	(INCH)
0 \pm 0.2		\pm	
.00 \pm 0.15		\pm	
.000 \pm 0.075		\pm	

ANGLES \pm 0.5


THIRD ANGLE PROJECTION

DFTD	tzau	DATE	06/02/06'
CHKD		DATE	
MFO		DATE	
APPVL		DATE	
MATERIAL :			
QTY :			
FINISH :			
SCALE :		1 : 2	

TITLE		DRAWING NO. XFP002-L		SIZE	
FULL RISE ELECTRONIC CO., LTD		XFP CAGE WITH PCI HEAT SINK KIT		A3	
(Non-Logo)				REV	
				0	
DO NOT SCALE DRAWING		SHEET 2		OF 2	

Looking for pricing, stock, or lifecycle information?

Click below to explore more details on WIN SOURCE:

 [View XFP002-L on WIN SOURCE](#)

 [Pulse Information](#)

Optimize Your Supply Chain with WIN SOURCE Solutions

-  Global Sourcing Solution
-  Obsolete Management
-  Cost Control Management
-  Shortage Management
-  Alternative Solution
-  Excess Inventory Management