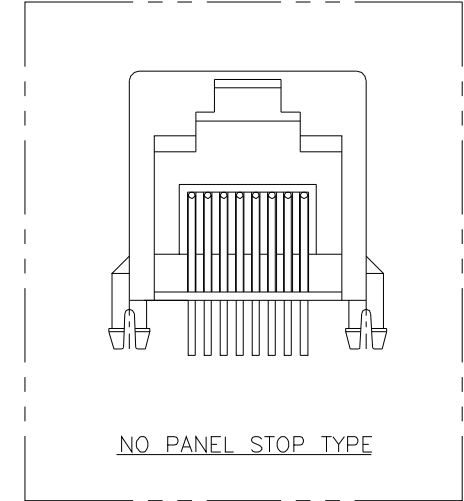
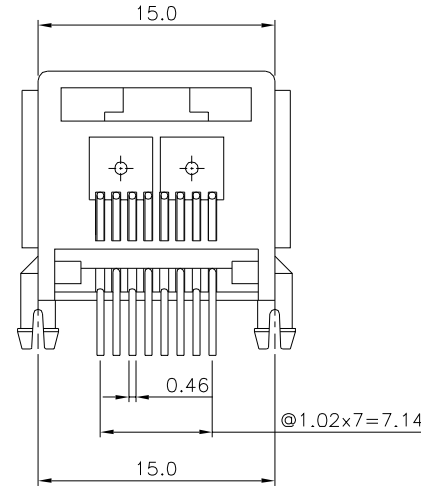
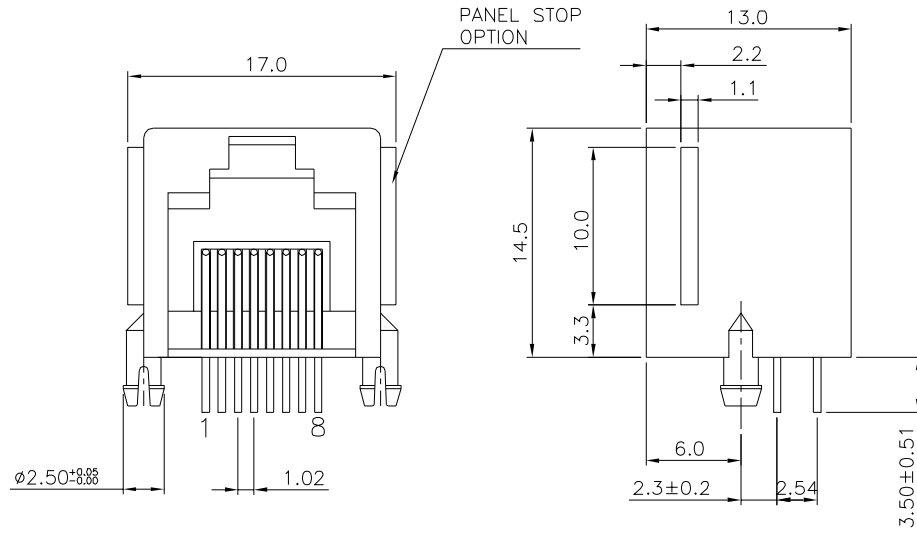




**THE DATASHEET OF  
E5588-60LU23-L**





**NOTES:**

**ELECTRICAL:**

1. VOLTAGE RATING : 125 VAC RMS.
2. CURRENT RATING : 1.5 AMP.
3. CONTACT RESISTANCE : 30 MILLIOHMS MAX.
4. INSULATION RESISTANCE: 1000 MEGOHMS MIN @ 500 VDC.
5. DIELECTRIC STRENGTH : 1000 VAC RMS 60Hz, 1MIN.

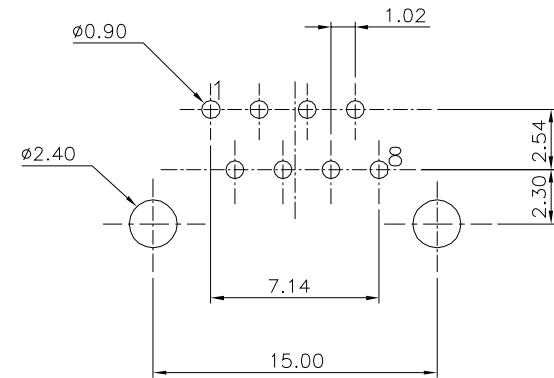
**MECHANICAL:**

1. HOUSING MATERIAL : GLASS FILLED NYLON UL94V-0
2. CONTACT MATERIAL : PHOSPHOR BRONZE  $\phi 0.46\text{mm}$ .
3. PLATING : GOLD PLATING OVER NICKEL.
4. OPERATING LIFE : 750 CYCLES MIN.
5. PCB RETENTION PRE-SOLDER : 1 LB MIN.
6. PCB RETENTION POST-SOLDER: 10 LBS MIN.

**ENVIRONMENTAL:**

1. STORAGE TEMPERATURE :  $-40^{\circ}\text{C}$  TO  $+85^{\circ}\text{C}$ .
2. OPERATION TEMPERATURE:  $-40^{\circ}\text{C}$  TO  $+85^{\circ}\text{C}$ .
3. WAVE SOLDERING TEMPERATURE :  $255\sim 265^{\circ}\text{C}$  (5~10 SECONDS)
4. RoHS COMPLIANT.

MATES WITH MODULAR PLUG CONFORMING TO FCC PART 68, SUBPART F.



PC Board Layout T=1.6mm  
Component Side Shown Tolerance $\pm 0.05\text{mm}$

PART NUMBER	PANEL STOP	HOUSING COLOR	GOLD PLATING
E5588-60LU22-L	NO	BLACK	6u"
E5588-60LU23-L	NO	BLACK	15u"
E5588-60LUM3-L	YES	GRAY	15u"

DETACHED LISTS				
	TOLERANCES EXCEPT AS NOTED MM .0 ± 0.2 ± .00 ± 0.15 ± .000 ± 0.075 ± ANGLES ± 0.5	TITLE MINI L/P PCB JACK 8P		
	DFTO Cothy DATE 2006/09/11	DRAWING NO. CE553A12-LA /PART NO. SEE TABLE	SIZE A3	REV 0
SCALE : 3:1		DO NOT SCALE DRAWING	SHEET 1	OF 1

## Looking for pricing, stock, or lifecycle information?

Click below to explore more details on WIN SOURCE:

 [View E5588-60LU23-L on WIN SOURCE](#)

 [Pulse Information](#)

## Optimize Your Supply Chain with WIN SOURCE Solutions

-  Global Sourcing Solution
-  Obsolete Management
-  Cost Control Management
-  Shortage Management
-  Alternative Solution
-  Excess Inventory Management