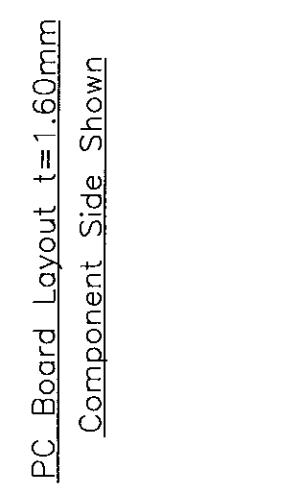
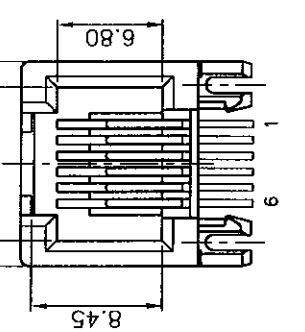
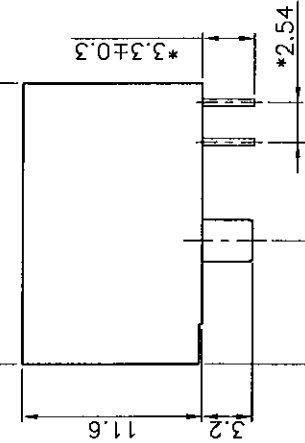
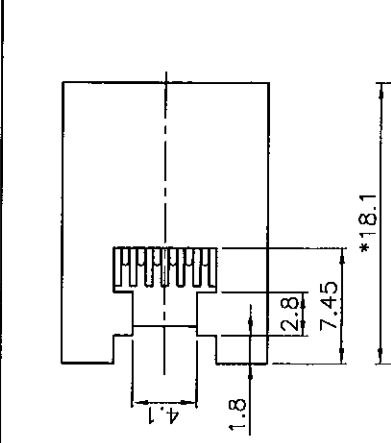




**THE DATASHEET OF
E5366-3000G2-L**



REVISION RECORD			
REV	ECO	DESCRIPTION	DRFT
△		ADD P/N	10/17/05*
△		ADD P/N	11/21/05*
△		ADD P/N	1/19/06
△		ADD P/N	1/19/06



PC Board Layout t=1.60mm
Component Side Shown

NOTES:

ELECTRICAL:

- VOLTAGE RATING : 150 VAC RMS.
- CURRENT RATING : 1.5 AMP.
- CONTACT RESISTANCE : 30 MILLIOHMS MAX.
- INSULATION RESISTANCE : 1000 MEGOHMS MIN @ 500 VDC.
- DIELECTRIC STRENGTH : 1000 VAC RMS 60Hz, 1MIN.

MECHANICAL:

- HOUSING MATERIAL : FR50&PBT+30% G.F UL94V-0.
- CONTACT MATERIAL : PHOSPHOR BRONZE Ø0.46mm.
- PLATING : GOLD PLATING OVER NICKEL.
- OPERATING LIFE : 750 CYCLES MIN.
- PCB RETENTION PRE-SOLDER : 1 LB MIN.
- PCB RETENTION POST-SOLDER : 10 LBS MIN.

ENVIRONMENTAL:

- STORAGE : -40°C TO +85°C.
 - OPERATION : -40°C TO +85°C.
 - WAVE SOLDERING TEMPERATURE: 230~250°C (5~10 SECONDS)
- MATES WITH MODULAR PLUG CONFORMING TO
FCC PART 68, SUBPART F.
CUL FILE NO. E163191

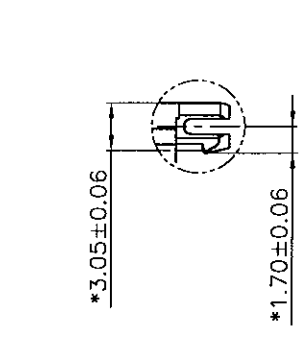
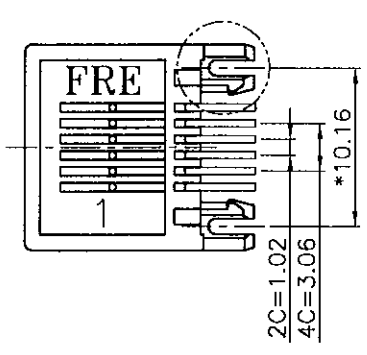
ROHS PART NUMBER: E536X-300XX-L

- 2- 2C
- 4- 4C
- 6- 6C

MATERIAL OF HSG :

- 0G-PBT BK.
- 4G-FR50 BK

- △ AG-PBT+30% G.F. WHITE (PBT NATURAL COLOR)
- △ AG-PBT+30% G.F. PANTON RED 186C
- △ BG-PBT+30% G.F. PANTON GREEN 7479C
- △ EH-PBT+30% G.F. PANTON YELLOW 114C



DATE CHG		DATE CHG	
CHG	DATE	CHG	DATE
APPROV	DATE	APPROV	DATE
MATERIAL :		MATERIAL :	
QTY :		QTY :	
FINISH :		FINISH :	
SCALE : 3 : 1		SCALE : 3 : 1	
THIRD ANGLE PROJECTION		THIRD ANGLE PROJECTION	
DO NOT SCALE DRAWING		DO NOT SCALE DRAWING	
SHEET 1 OF 1		SHEET 1 OF 1	

DFTO C/O		DATE CHG	
CHG	DATE	CHG	DATE
APPROV	DATE	APPROV	DATE
MATERIAL :		MATERIAL :	
QTY :		QTY :	
FINISH :		FINISH :	
SCALE : 3 : 1		SCALE : 3 : 1	
THIRD ANGLE PROJECTION		THIRD ANGLE PROJECTION	
DO NOT SCALE DRAWING		DO NOT SCALE DRAWING	
SHEET 1 OF 1		SHEET 1 OF 1	

FULL RISE ELECTRONIC CO., LTD

TITLE
11.5mm SIDE PCB JACK 6P

DRAWING NO. GE53022-LC
REV 4

7/PART NO. SEE NOTE
SIZE A3

Looking for pricing, stock, or lifecycle information?

Click below to explore more details on WIN SOURCE:

 [View E5366-3000G2-L on WIN SOURCE](#)

 [Pulse Information](#)

Optimize Your Supply Chain with WIN SOURCE Solutions

-  Global Sourcing Solution
-  Obsolete Management
-  Cost Control Management
-  Shortage Management
-  Alternative Solution
-  Excess Inventory Management