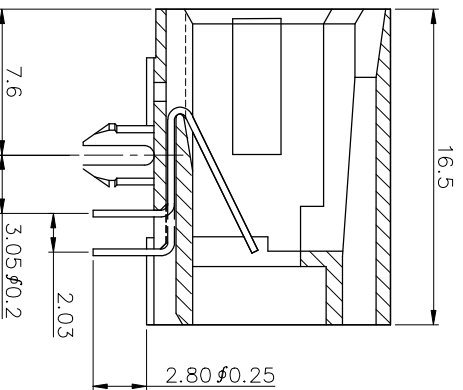




**THE DATASHEET OF  
E5R64-50L0H2-L**



REVISION RECORD				
REV	ECO	DESCRIPTION	DRFT	CHKD



SECTION E-E

NOTES:

ELECTRICAL:

1. VOLTAGE RATING : 125 VAC RMS.
2. CURRENT RATING : 1.5 AMP.
3. CONTACT RESISTANCE : 30 MILLIOHMS MAX.
4. INSULATION RESISTANCE: 1000 MEGOHMS MIN @ 500 VDC.
5. DIELECTRIC STRENGTH : 1000 VAC RMS 60Hz, 1MIN.

MECHANICAL:

1. HOUSING MATERIAL : PBT+30%G.F UL94V-0. COLOR-BLACK
2. CONTACT MATERIAL : PHOSPHOR BRONZE  $\phi$ 0.46mm
3. PLATING : 1: CONTACT AREA- SELECTIVE GOLD PLATING.  
2: TAILS- 150u" TIN-LEAD MIN OVER 50u" NICKEL.
4. OPERATING LIFE : 750 CYCLES MIN.
5. PCB RETENTION PRE-SOLDER : 1 LB MIN.
6. PCB RETENTION POST-SOLDER: 10 LBS MIN.

ENVIRONMENTAL:

1. STORAGE : -40°C TO +85°C.
  2. OPERATION: -40°C TO +85°C.
- MATES WITH MODULAR PLUG CONFORMING TO FCC PART 68, SUBPART F.  
PART NUMBER: ESR6X-50LOHX-L

- 2- 2C : 1- 3u" 2- 6u"  
4- 4C : 3- 15u" 4- 30u"  
6- 6C : 5- 50u"

DETACHED LISTS			
MM	(INCH)	MM	(INCH)
TOLERANCES EXCEPT AS NOTED			
.0 ± 0.2	±	±	±
.00 ± 0.15	±	±	±
.000 ± 0.075	±	±	±
ANGLES ± 0.5		THIRD ANGLE PROJECTION	

DFTO CZH	DATE 10/9/2K
CHKD XRY	DATE 10/10/00
MFG BOTDN	DATE 10/10/00
APPLVL	DATE



**RoHS Compliant**

**PULL RISE ELECTRONIC CO., LTD**

TITLE

**RJ-01 SINGLE PORT PCB JACK**

DRAWING NO. G5R3001-LC

/PART NO. SEE NOTE

DO NOT SCALE DRAWING

B

C

D

E

F

G

H

Side Shown

6

5

4

3

2

1

A

SIZE REV  
A3 10/9/00

SHEET 1 OF 1

## Looking for pricing, stock, or lifecycle information?

Click below to explore more details on WIN SOURCE:

 [View E5R64-50L0H2-L on WIN SOURCE](#)

 [Pulse Information](#)

## Optimize Your Supply Chain with WIN SOURCE Solutions

-  Global Sourcing Solution
-  Obsolete Management
-  Cost Control Management
-  Shortage Management
-  Alternative Solution
-  Excess Inventory Management