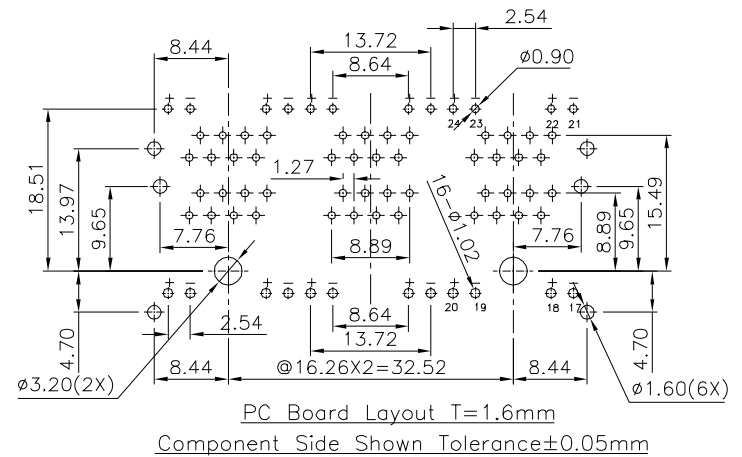
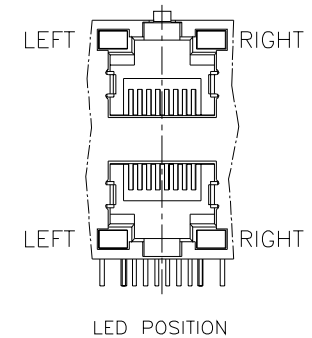
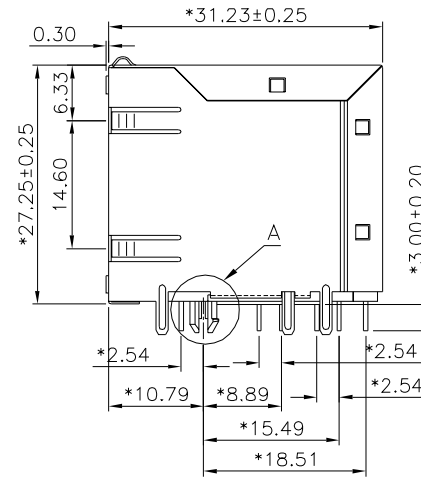
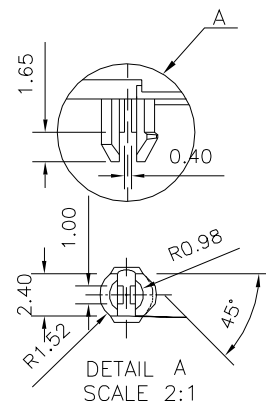
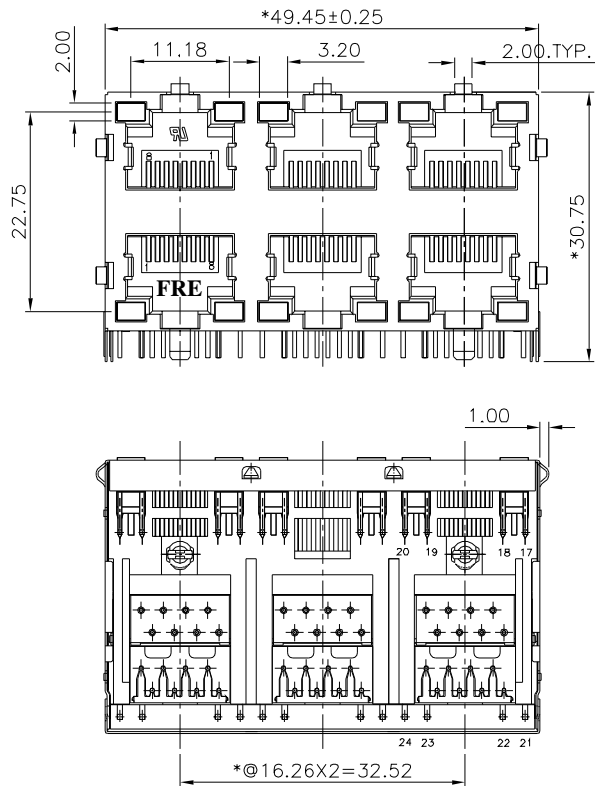




**THE DATASHEET OF
E5J88-C4B3F2-L**





NOTES:

ELECTRICAL:

1. VOLTAGE RATING : 125 VAC RMS.
2. CURRENT RATING : 1.5 AMP.
3. CONTACT RESISTANCE : 35 MILLIOHMS MAX.
4. INSULATION RESISTANCE: 1000 MEGOHMS MIN @ 500 VDC.
5. DIELECTRIC STRENGTH : 1000 VAC RMS 60Hz, 1MIN.

MECHANICAL:

1. HOUSING MATERIAL : GLASS FILLED NYLON UL94V-0.
2. CONTACT MATERIAL : PHOSPHOR BRONZE ϕ 0.46mm
3. CONTACT PLATING : GOLD PLATING OVER NICKLE
4. SHIELD PLATING : NICKEL PLATING OVER BRASS
5. OPERATING LIFE : 750 CYCLES MIN.
6. PCB RETENTION PRE-SOLDER : 1 LB MIN.
7. PCB RETENTION POST-SOLDER: 10 LBS MIN.
8. LED COLOR : LEFT- GREEN, RIGHT- YELLOW.

ENVIRONMENTAL:

1. STORAGE TEMPERATURE : -40°C TO +85°C.
2. OPERATION TEMPERATURE: -40°C TO +85°C.
3. WAVE SOLDERING TEMPERATURE: 255~265*(5~10 SECONDS)
4. RoHS COMPLIANT.

MATES WITH MODULAR PLUG CONFORMING TO FCC PART 68, SUBPART F.

PART NUMBER
E5J88-C4B3F2-L

		RoHS Compliant			
TOLERANCES EXCEPT AS NOTED		TITLE STACKED GANGED JACK 2*3 PORTS			
MM .0 ± 0.2 ± .00 ± 0.15 ± .000 ± 0.075 ±					
ANGLES ± 0.5		DFTO Cathy		DRAWING NO. CE5J3035-LA	
 THIRD ANGLE PROJECTION		DATE 2006/09/11		/PART NO. SEE TABLE	
SCALE : 5:3		DO NOT SCALE DRAWING		SIZE A3	REV 0
SHEET 1 OF 1					

Looking for pricing, stock, or lifecycle information?

Click below to explore more details on WIN SOURCE:

 [View E5J88-C4B3F2-L on WIN SOURCE](#)

 [Pulse Information](#)

Optimize Your Supply Chain with WIN SOURCE Solutions

-  Global Sourcing Solution
-  Obsolete Management
-  Cost Control Management
-  Shortage Management
-  Alternative Solution
-  Excess Inventory Management