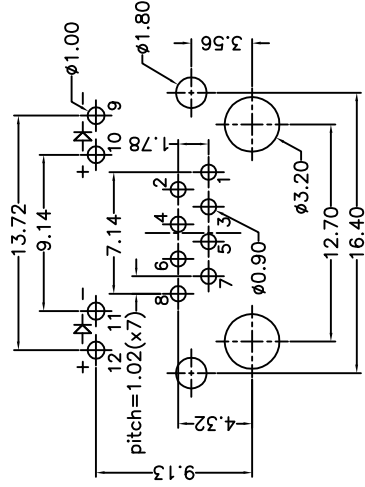


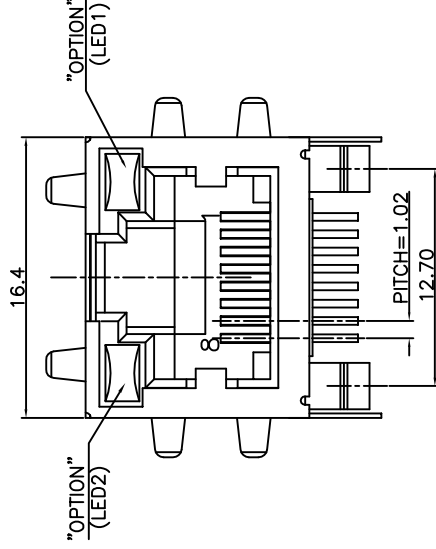


**THE DATASHEET OF  
E5J88-24LJD2-L**





PC Board Layout I=1.6mm  
Component Side Shown Tolerance±0.05mm



**NOTES:**

**ELECTRICAL:**

1. VOLTAGE RATING : 1.5 AMP.
2. CURRENT RATING : 125 VAC RMS.
3. CONTACT RESISTANCE : 30 MILLIOHMS MAX.
4. INSULATION RESISTANCE : 1000 MEGOHMS MIN @ 500 VDC.
5. DIELECTRIC STRENGTH : 1000 VAC RMS 60Hz, 1MIN.
6. LED RATINGS : FORWARD VOLTAGE: 2.2 VOLTS TYPICAL.  
REVERSE VOLTAGE: 5 VOLTS MAXIMUM.  
: 750 CYCLES MIN.

**OPERATING**

1. HOUSING MATERIAL : GLASS FILLED NYLON UL94V-0. COLOR-BLACK.
2. INSERT MATERIAL : GLASS FILLED NYLON UL94V-0. COLOR-BLACK.
3. BACK PLATE MATERIAL : GLASS FILLED PBT. COLOR-BLACK.
4. LED SIZE : 3.2\*2.0\*4.0\*P=2.29mm.
5. SHIELD MATERIAL : COPPER ALLOY 0.25mm THICKNESS PLATING NI.
6. CONTACT MATERIAL : PHOSPHOR BRONZE t=0.35mm.
7. PLATING : CONTACT AREA-SELECTIVE GOLD PLATING.  
: TAILS-TIN 150u" MIN OVER NICKEL.

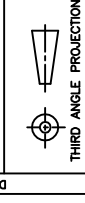
8. PCB RETENTION PRE-SOLDER : 1 LB MIN.
9. PCB RETENTION POST-SOLDER: 10 LBS MIN.

**ENVIRONMENTAL:**

1. STORAGE TEMPERATURE : -40°C TO +85°C.
  2. OPERATION TEMPERATURE : -40°C TO +85°C.
  3. WAVE SOLDERING TEMPERATURE : 255°C~265°C (5~10SECONDS).
  4. RoHS COMPLIANT.
- MATES WITH MODULAR PLUG CONFORMING TO  
FCC PART 68, SUBPART F.  
CUL FILE NO. E163191

PART NUMBER	LED COLOR	
	LED 1	LED 2
E5J88-11LJD2-L	GREEN	YELLOW
E5J88-12LJD2-L	GREEN	YELLOW
E5J88-14LJD2-L	GREEN	YELLOW
E5J88-21LJD2-L	GREEN	GREEN
E5J88-24LJD2-L	GREEN	GREEN
E5J88-31LJD2-L	YELLOW	GREEN
E5J88-32LJD2-L	YELLOW	GREEN
E5J88-34LJD2-L	YELLOW	GREEN

TOLERANCES EXCEPT AS NOTED	
MM	±
.0 ± 0.2	±
.00 ± 0.15	±
.000 ± 0.075	±
ANGLES ± 0.5	



THIRD ANGLE PROJECTION

<b>RoHS Compliant</b>	
TITLE	RJ45
DFTO Cathy	
DATE 2006/09/22	
SCALE :	3

8 | 7 | 6 | 5 | 4 | 3

## Looking for pricing, stock, or lifecycle information?

Click below to explore more details on WIN SOURCE:

 [View E5J88-24LJD2-L on WIN SOURCE](#)

 [Pulse Information](#)

## Optimize Your Supply Chain with WIN SOURCE Solutions

-  Global Sourcing Solution
-  Obsolete Management
-  Cost Control Management
-  Shortage Management
-  Alternative Solution
-  Excess Inventory Management