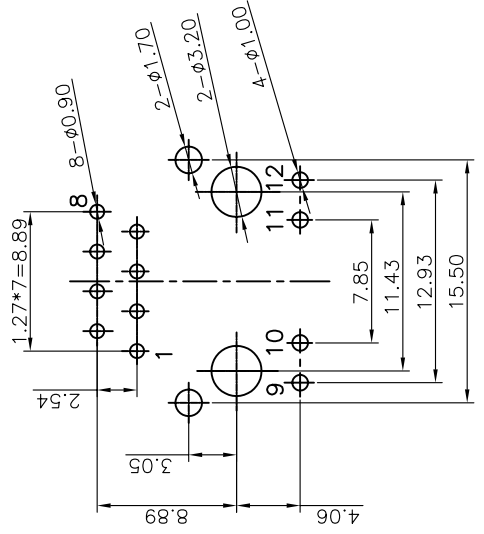




**THE DATASHEET OF  
E5J88-19LJP5-L**





PC BOARD LAYOUT I=1.60mm  
COMPONENT SIDE SHOWN  
TOLERANCES±0.05mm

**NOTES:**

**ELECTRICAL:**

1. VOLTAGE RATING : 125 VAC RMS .
2. CURRENT RATING : 1.5 AMP .
3. CONTACT RESISTANCE : 45 MILLIOHMS MAX.
4. INSULATION RESISTANCE: 1000 MEGOHMS MIN @ 500 VDC.
5. DIELECTRIC STRENGTH : 1000 VDC RMS 60Hz, 1MIN.
6. LED 1 WAVELENGTH: 565±10 nm.
7. LED 2 (Bi-color) WAVELENGTH: GREEN: 565±10 nm, ORANGE: 613±10 nm

**MECHANICAL:**

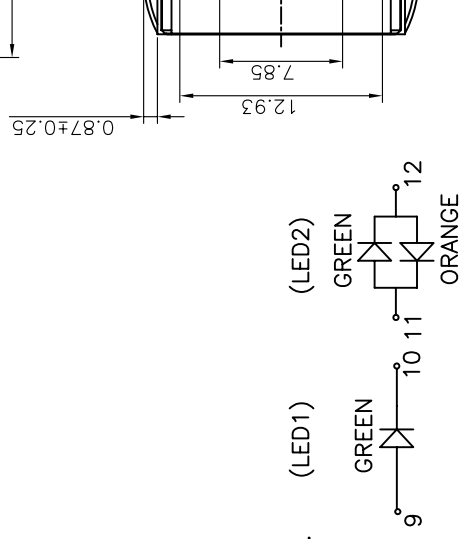
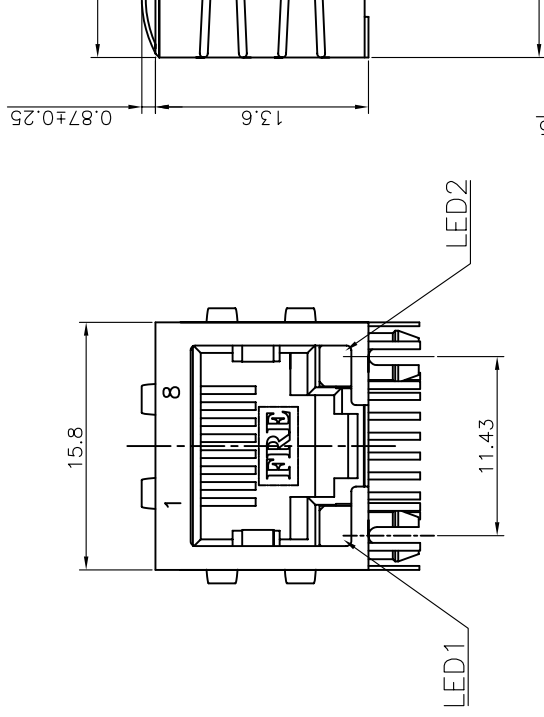
1. HOUSING MATERIAL : GLASS FIBER FILLED NYLON, UL94V-0\BLACK.
2. CONTACT MATERIAL : PHOSPHOR BRONZE t=0.35mm.
3. SHIELD MATERIAL : COPPER ALLOY WITH NICKEL PLATING.
4. PLATING : GOLD PLATING OVER NICKEL.
5. OPERATING LIFE : 750 CYCLES MIN.
6. PCB RETENTION PRE-SOLDER : 1 LB MIN.
7. PCB RETENTION POST-SOLDER: 10 LBS MIN.

**ENVIRONMENTAL:**

1. STORAGE : -40°C TO +85°C.
2. OPERATION: -40°C TO +85°C.
3. SOLDERING TEMPERATURE: 255°C~265°C (5~10 SECONDS)

MATES WITH MODULAR PLUG CONFORMING TO  
FCC PART 68, SUBPART F.

UL FILE NO. E163191



<b>RoHS Compliant</b>		<b>RoHS Compliant</b>	
TOLERANCES EXCEPT AS NOTED		TITLE	
MM	±	Connc	
.0 ± 0.25	±		
.00 ± 0.20	±		
.000 ± 0.10	±	DFTO : ELA	
ANGLES ± 1°		DATE : 09/17/2012	
THIRD ANGLE PROJECTION		SCALE : 3:1	

E5J88-19LJP5-L	50u"
PART NO.	Au PLATING

## Looking for pricing, stock, or lifecycle information?

Click below to explore more details on WIN SOURCE:

 [View E5J88-19LJP5-L on WIN SOURCE](#)

 [Pulse Information](#)

## Optimize Your Supply Chain with WIN SOURCE Solutions

-  Global Sourcing Solution
-  Obsolete Management
-  Cost Control Management
-  Shortage Management
-  Alternative Solution
-  Excess Inventory Management