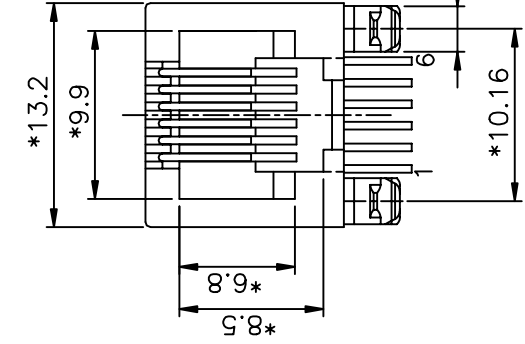
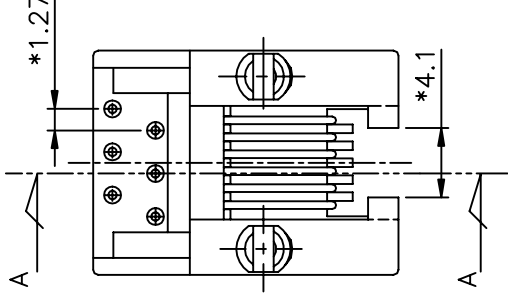
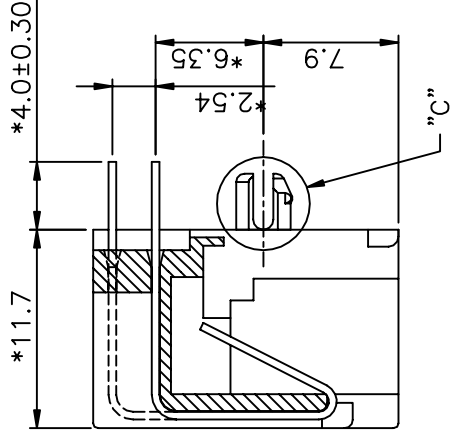
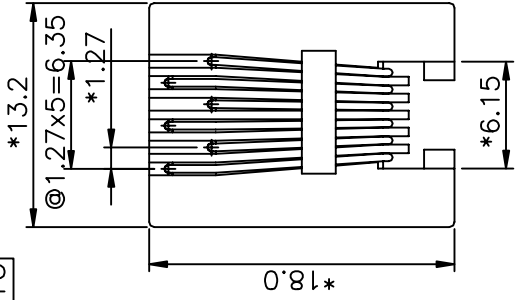


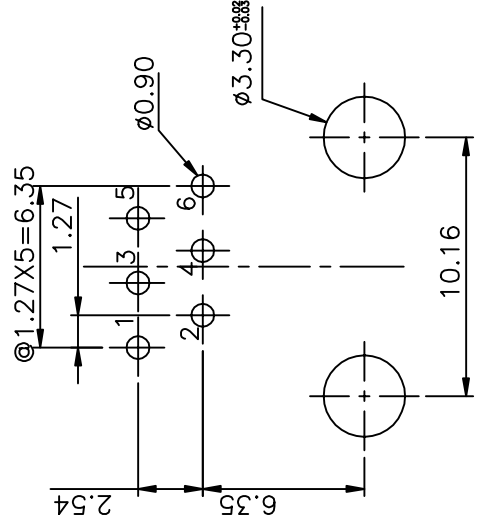


**THE DATASHEET OF
E5366-000012-L**





SECTION A-A



- NOTES:**
- ELECTRICAL:**
- VOLTAGE RATING : 125 VAC R
 - CURRENT RATING : 1.5 AMP.
 - CONTACT RESISTANCE : 30 MILLIOH
 - INSULATION RESISTANCE: 1000 MEG
 - DIELECTRIC STRENGTH : 1000 VAC
- MECHANICAL:**
- HOUSING MATERIAL : PBT+GF30%
 - INSERT : PBT+GF30%
 - CONTACT MATERIAL : PHOSPHOR E
 - PLATING : GOLD PLATING
 - OPERATING LIFE : 750 CYCLES
 - PCB RETENTION PRE-SOLDER : 1 LI
 - PCB RETENTION POST-SOLDER: 10
- ENVIRONMENTAL:**
- STORAGE : -40°C TO +85°C.
 - OPERATION: -40°C TO +85°C.
 - WAVE SOLDERING TEMPERATURE: 2
 - RoHS COMPLIANT.

MATES WITH MODULAR PLUG CONFORMING
 FCC PART 68, SUBPART F.
 CUL FILE NO. E163191
 RoHS PART NUMBER: E536X-000X1X-L

2-2C J
 4-4C J
 6-6C
 F--

0-PBT+GF15% BLACK
 4-FR50 BLACK
 Δ V-PBT+GF30% COOL GRAY 1C

PC Board Layout
 Component Side Shown

TOLERANCES EXCEPT AS NOTED		DATE	
MW	±	CHKD	04/04/05
.0 ± 0.2	±	SKELLY	2006/7/27
.00 ± 0.15	±	MFO	DATE
.000 ± 0.075	±	APPL	2006/7/27
ANGLES ± 0.5	±	DATE	DATE
THIRD ANGLE PROJECTION		TITLE	
		9C	
		DRAW	
		/PA	
		DO N	

Looking for pricing, stock, or lifecycle information?

Click below to explore more details on WIN SOURCE:

 [View E5366-000012-L on WIN SOURCE](#)

 [Pulse Information](#)

Optimize Your Supply Chain with WIN SOURCE Solutions

-  Global Sourcing Solution
-  Obsolete Management
-  Cost Control Management
-  Shortage Management
-  Alternative Solution
-  Excess Inventory Management